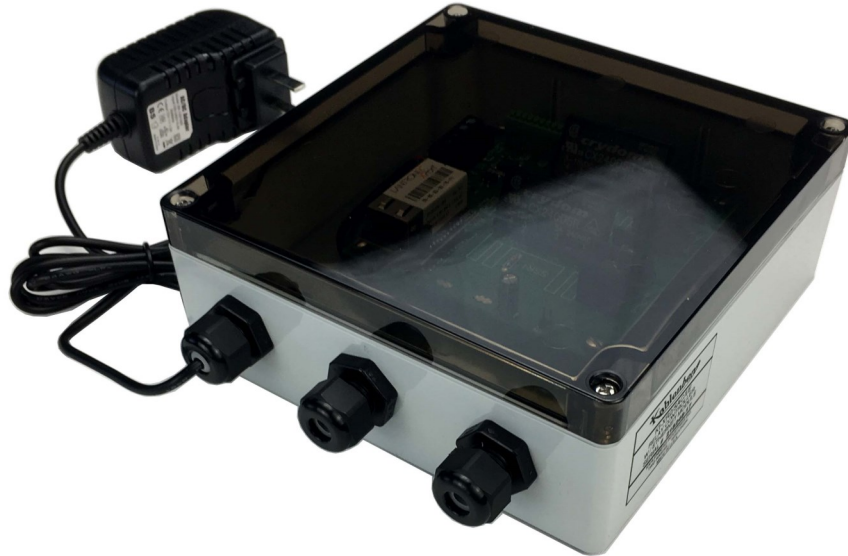


## KI-XR2 Relay Controller

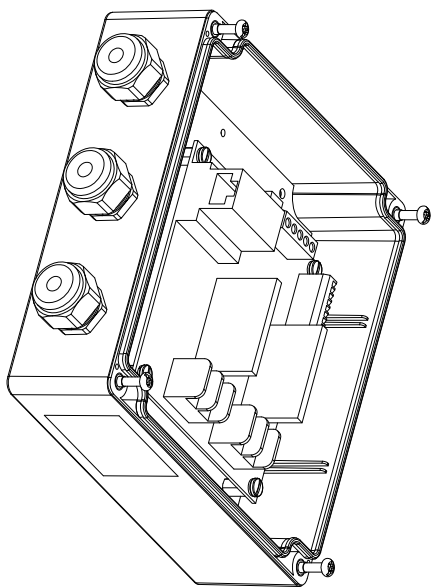
The KI-XR2 Relay Controller is a digital device housed in a waterproof enclosure which controls two on-board solid state relays via Ethernet connection to Microsoft Windows based computer control software. Customized configuration software is supplied for configuration and connection of the relay controller to the network. Additional Software is provided for remote relay control, which includes customer desired switching functions and/or timer functions as part of a custom designed user interface. This user interface “window” resides on a Windows PC desktop to control the supplied Kahlenberg Signaling devices and/or other devices connected to the relay outputs.



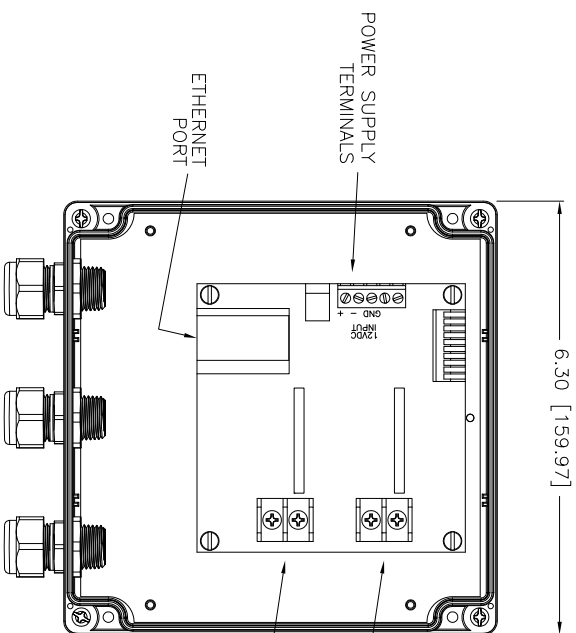
### Technical Details:

- 12VDC 1500mA Operating Current
- Ethernet Module Input
- 2 Relay Channels Output, Rated 5 Amps Each, 110-240 V.A.C. INDUCTIVE LOAD ONLY.
- Includes 8 Analog to Digital Switch/Sensor Inputs (0-5VDC or Contact Closure)
- Custom Programmed per Application
- IP66, NEMA 4,4X,12,13, ROHS Compliant Enclosure

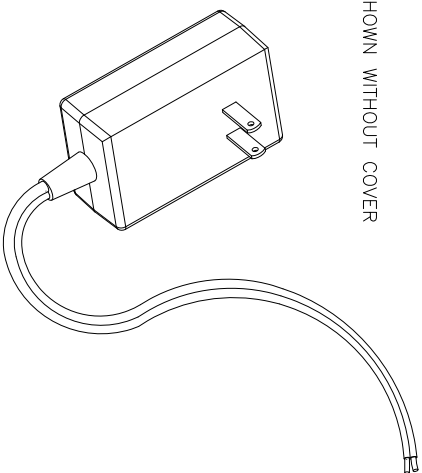
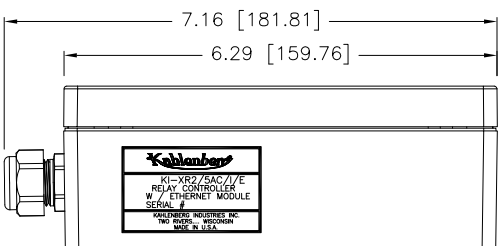
- **IDEAL FOR IP CONTROL OF INDOOR AND OUTDOOR INSTALLATIONS**
- **AVOID COST OF EXTENDED WIRED ANALOG CONNECTIONS**
- **DURABLE WATERTIGHT CONSTRUCTION**
- **SIMPLE AND SECURE CONTROL OF WARNING DEVICES FROM PC BASE STATION  
CUSTOMIZED FOR YOUR UNIQUE SIGNALING NEEDS**



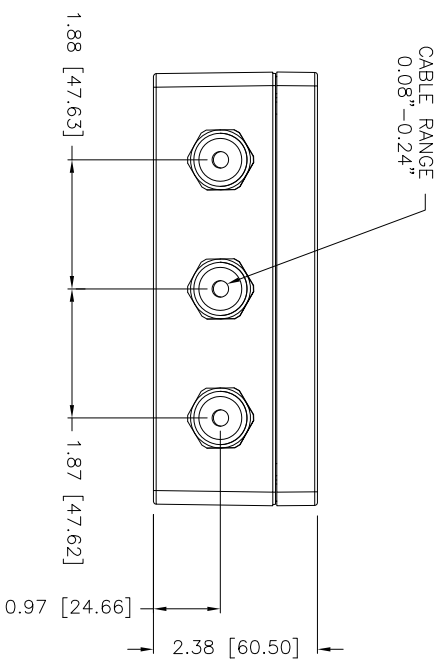
VIEW SHOWN WITHOUT COVER



VIEW SHOWN WITHOUT COVER



WALL TRANSFORMER: INPUT 110-240VAC, 50/60HZ  
 WALL TRANSFORMER: OUTPUT 12 VDC, 1500mA  
 BOARD VOLTAGE: 12 VDC  
 RELAY CONTACT RATING: 5A 240VAC (A.C. INDUCTIVE LOAD ONLY)  
 WEIGHT: 2.25lbs (1.02kg)  
 ENCLOSURE RATINGS: IP 66 & NEMA 4, 4X, 12 & 13  
 ENCLOSURE MATERIAL: OPAQUE GREY POLYCARBONATE BOX  
 CLEAR SMOKED POLYCARBONATE LID  
 OPERATING TEMPERATURE RANGE: 0°-70°C, 32°-158°F



CABLE RANGE  
 0.08"-0.24"

**CONFIDENTIAL**

INFORMATION CONTAINED HEREIN IS CONFIDENTIAL. IT IS THE PROPERTY OF KAHLEBERG INDUSTRIES INC. IT IS TO BE USED SOLELY FOR THE PURPOSE PROVIDED, AND IT IS NOT TO BE DISCLOSED TO OTHERS WITHOUT THE PRIOR WRITTEN CONSENT OF KAHLEBERG INDUSTRIES INCORPORATED.

KAHLEBERG INDUSTRIES INC. TWO RIVERS, WISCONSIN 54241

**Kahleberg**

OUTLINE DIMENSIONS  
 KI-XR2/SAC/1/E  
 RELAY CONTROLLER  
 WITH ETHERNET MODULE

© Copyright Kahleberg Ind. Inc. 2010

DR.	DATE	CKD.	SCALE	DRWG. NO.	REV.
ZJN	09/19/17	EMK	N.T.S.	3-7193	