

### Model KG-15E Electronic/Manual Ship Gongs

The Kahlenberg KG-15E Ship's Gong package includes a KG-E marine duty outdoor speaker which outputs a mechanical "gong" sound signal upon application of A.C. or D.C. current to the unit as specified. The KG-15 Manual Gong is included in this package in order to satisfy USCG and IMO rules that require the gong be operable manually without electric power. The KG-15 is of all stainless steel construction and includes a manual pull lanyard. This unique combination of items allows for simple electronic operation from an automated signal controller AND manual operation of the gong if required, yet avoids the potential for condensation or ingress of water into an electro-mechanical gong unit.

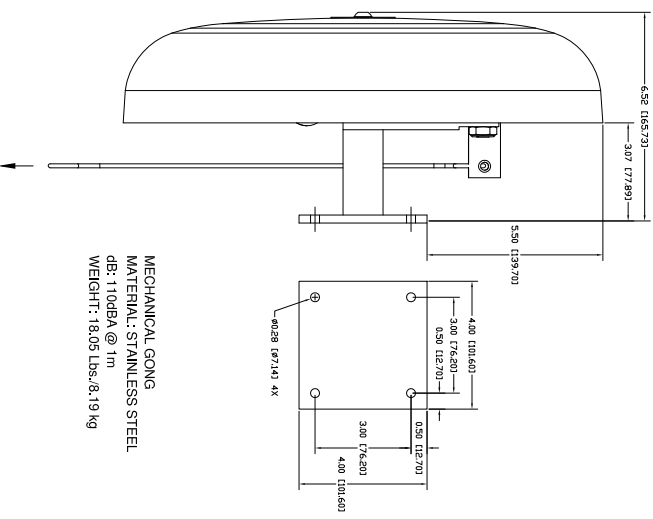
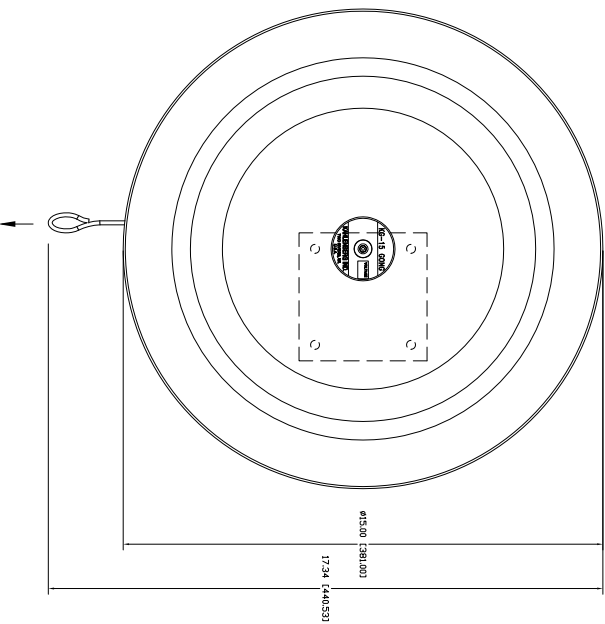
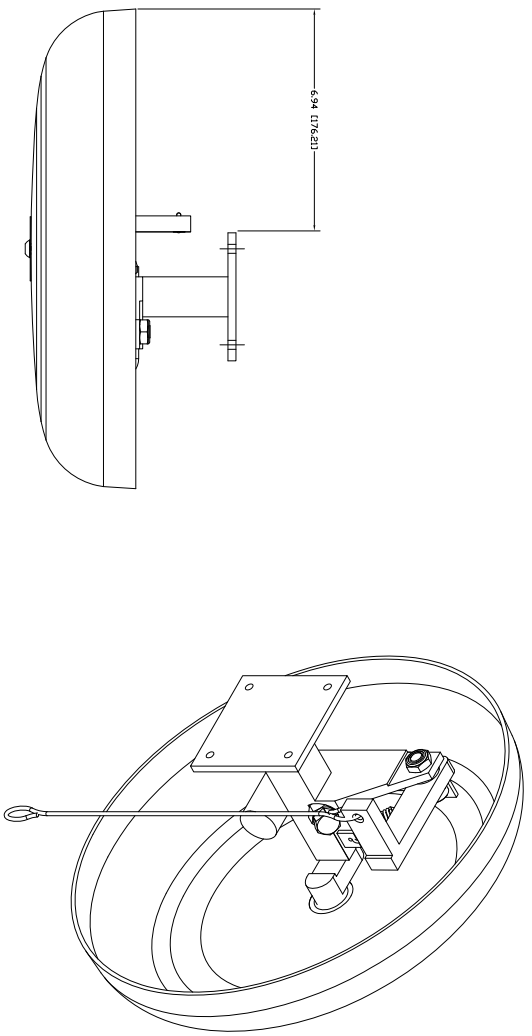


KG-E Electronic Gong



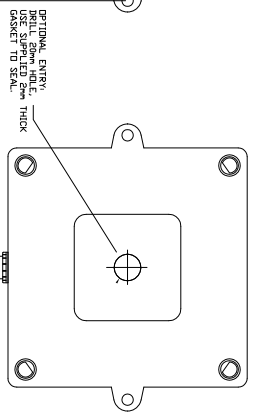
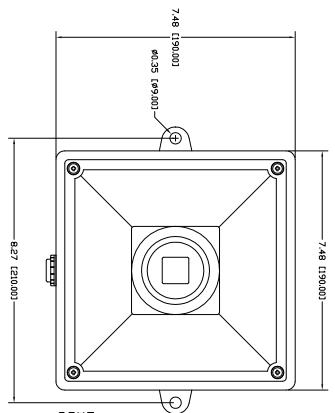
KG-15 Manual Gong

- **ALLOWS FOR AUTOMATED ELECTRONIC AND MANUAL OPERATION OF GONGS**
- **HIGH IMPACT ABS AND STAINLESS STEEL CONSTRUCTION**
- **FOR VESSELS OVER 100 METERS IN LENGTH**
- **MEETS OR EXCEEDS IMO AND USCG REQUIREMENTS**
- **HIGHLY RELIABLE, NO MAINTENANCE, NO ELECTRO-MECHANICAL COMPONENTS**



MECHANICAL GONG  
 MATERIAL: STAINLESS STEEL  
 dB: 110dBA @ 1m  
 WEIGHT: 18.05 Lbs./8.19 kg

REV.	BY	DATE	DESCRIPTION	APP'D.
A	ZN	07/17/15	ADDED REAR VIEW AND NOTED OPTIONAL ENTRY AND GASKET	EMK



**ELECTRONIC GONG**

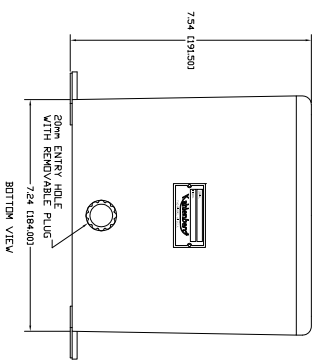
Nominal output: 113dB(A) @ 1m +/- 3dB - Gong Tone  
 Volume: Max. 121dB(A) Effective range: 300m @ 1KHz  
 Available Voltages : 115V ac; 230V ac; 24V dc  
 Ingress protection: IP66

Housing material: High Impact UL94 V0 & 5VA FR ABS  
 Colour: Grey (RAL7038)

Cable entries: 2 x M20 clearance gland knockouts  
 In side & back  
 Terminals: 0.5 to 4.0mm<sup>2</sup> cables.  
 Operating temperature: -25 to +55°C

Weight: 2.70kg

Voltage: Current:  
 115V ac 50/60Hz +/-10% 542mA  
 230V ac 50/60Hz +/-10% 577mA  
 24V dc 1.51A



**CONFIDENTIAL**

INFORMATION CONTAINED HEREIN IS CONFIDENTIAL. IT IS THE PROPERTY OF KAHLBERG INDUSTRIES INC. IT IS TO BE USED SOLELY FOR THE PURPOSE PROVIDED, AND IT IS NOT TO BE DISCLOSED TO OTHERS WITHOUT THE PRIOR WRITTEN CONSENT OF KAHLBERG INDUSTRIES INCORPORATED.



KAHLBERG INDUSTRIES INC. TWO RIVERS, WISCONSIN 54241

**OUTLINE DIMENSIONS**  
 KG-15E

DR.	DATE	CKD.	SCALE	DRWG. NO.	REV.
ZJN	07/28/14	EMK	N.T.S.	3-6884	A