

### Model KB-30A Electronic Horn/Hailer

The Kahlenberg KB-30A is an Electronic Horn/Hailing system for marine use that produces a horn signal in excess of 130 dB (1/3 Octave Band) as required for vessels up to 75 meters in length, as well as voice amplification and amplification of additional audio sources. The KB-30A System consists of two major components being the horn/driver unit, and control/microphone unit.



- **100 Watts of Horn and Hailing Power**
- **Type Approved for Vessels up to 75 Meters in Length**
- **“Black Box” under console control unit with remote console mount microphone and microphone jack included**
- **Operates with any Kahlenberg Signal Control Timer for Automatic Restricted Visibility and Maneuvering Codes including SOLAS General Alarm Code, or simple push button for Horn Signal**
- **Multiple Horns can be controlled from single station for hailing/talkback and/or horn signal**
- **Full Time Heater included to eliminate moisture and prevent freezing in horn driver unit**
- **Auxiliary Audio Inputs Included**

#### TECHNICAL DATA

Fundamental Frequency: 695 Hz

S.P.L. (1/3 Octave @ 1 Meter): 133 dB

S.P.L. (dB(A)): 132 dB

Electrical Power Required:

24 Volt D.C., 100 Watts

Ingress Protection: IP66

Material:

All Aluminum Alloy, protected 316  
Stainless Steel Fasteners

Operating Temperature Range:

-40 deg. F (-40 C) to 130 deg. F (54 C.)

Net Weight: 13 lbs., 5.9 kg.,

Finishes:

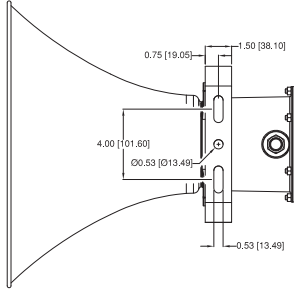
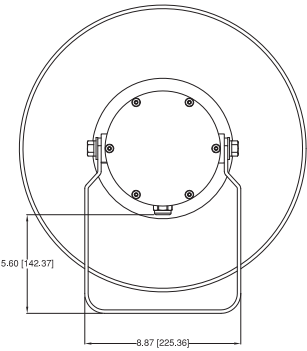
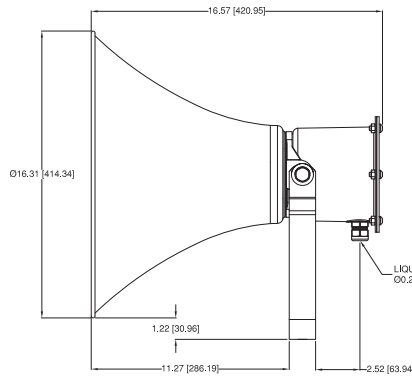
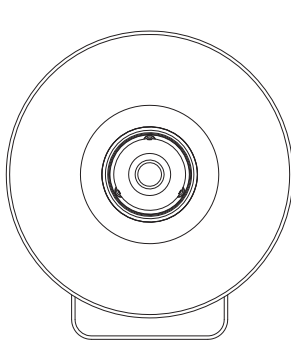
Matterhorn (Sky White) TGIC Powder-  
coat

Dimensions:

16.5" x 16.3" x 17.5" (420x414x445)

Conforming to International Maritime Regulations  
For Vessels Less Than 75 Meters in Length

REV.	BY	DATE	DESCRIPTION	APP'D.
A	ZN	08/05/16	FLIPPED MOUNTING BRACKET	EMK



**TECHNICAL DATA**

Frequency: 695 Hz  
 Sound Pressure Level (dB(A) at 1 meter): 132dB  
 Sound Pressure Level (1/3 octave at 1 meter): 133dB  
 Electric Power: 24 V.D.C.  
 Power Consumption: 100 Watts  
 Protection of Ingress: IP66  
 Temperature Range: -40°F (-40°C) to 130°F (54°C)  
 Material: Aluminum, 316 Stainless Steel  
 Finish: Matherhorn (Sky White) TGIC Powdercoat  
 Net Weight: 13 Lbs.  
 Shipping Weight: 21 Lbs.

Price: \$ \_\_\_\_\_ U.S.D. Net. Ea.  
 (Valid for 60 days, F.O.B. Two Rivers, WI. U.S.A.)

**CONFIDENTIAL**

INFORMATION CONTAINED HEREIN IS CONFIDENTIAL. IT IS THE PROPERTY OF KAHLBERG INDUSTRIES INC. IT IS TO BE USED SOLELY FOR THE PURPOSE PROVIDED, AND IT IS NOT TO BE DISCLOSED TO OTHERS WITHOUT THE PRIOR WRITTEN CONSENT OF KAHLBERG INDUSTRIES INCORPORATED.

PARTS LIST: 3-6730  
 CAGE: 75214

© Copyright Kahlberg Ind. Inc. 2010

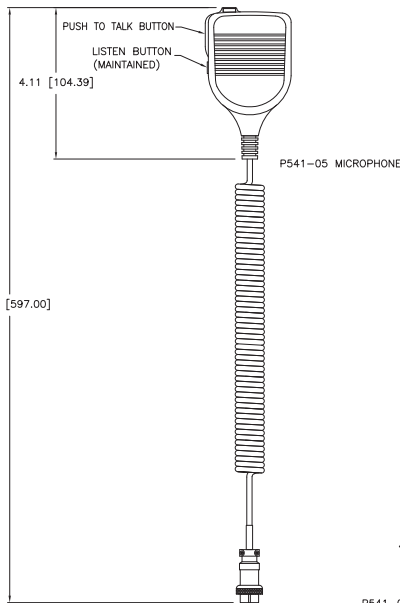
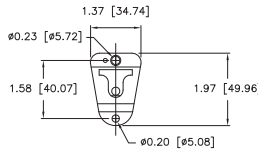
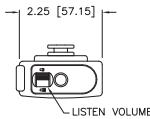


**OUTLINE DIMENSIONS  
 KB-30A ELECTRONIC HORN**

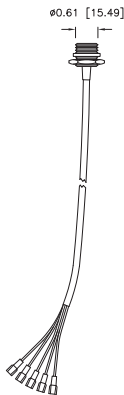
DR.	DATE	CKD.	SCALE	DRWG. NO.	REV.
ZJN	11/26/12	EMK	N.T.S.	3-6725	A

3-6907

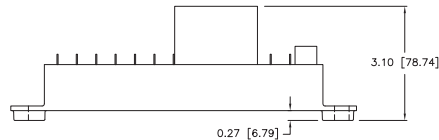
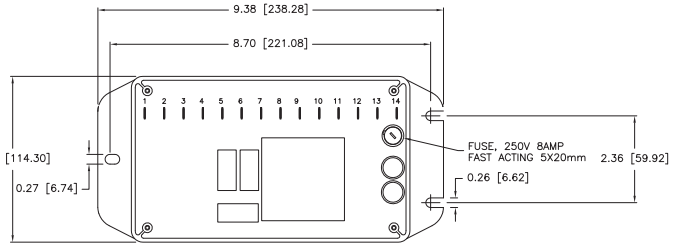
REV.	BY	DATE	DESCRIPTION	APP'D.
------	----	------	-------------	--------



P564-04 MOUNTING BRACKET  
 MATERIAL: CHROME PLATED STEEL



P541-06 MICROPHONE  
 EXTENSION CORD (6'/1.83m)



CM-14 CONTROL MODULE  
 VOLTAGE: 24 VDC  
 CURRENT: 8.0 AMPS MAX.  
 WEIGHT: 2.25lbs (1.02kg)  
 ENCLOSURE MATERIAL - BLACK POLYPROPYLENE.

**CONFIDENTIAL**

INFORMATION CONTAINED HEREIN IS CONFIDENTIAL. IT IS THE PROPERTY OF KAHLBERG INDUSTRIES INC. IT IS TO BE USED SOLELY FOR THE PURPOSE PROVIDED, AND IT IS NOT TO BE DISCLOSED TO OTHERS WITHOUT THE PRIOR WRITTEN CONSENT OF KAHLBERG INDUSTRIES INCORPORATED.

© Copyright Kahlberg Ind. Inc. 2010



**OUTLINE DIMENSIONS  
 CM-14 CONTROL MODULE AND ACCESSORIES  
 FOR KB-30A ELECTRONIC HORN**

DR.	DATE	CKD.	SCALE	DRWG. NO.	REV.
ZJN	10/30/14	EMK	N.T.S.	3-6907	