

Model KB-12 Manual Ship Bell

The Kahlenberg KB-12 Manual Ships Bell is built to withstand decades of use in commercial and military marine service. With the exception of bronze bushings in the operating mechanism, the KB-12 is built entirely from stainless steel including the mounting bracket assembly. Manually operated with a stainless pull lanyard, the KB-12 Bell is a simple but effective solution to meet International IMO and COLREG requirements for a bell sounding at a minimum of 110 dB(A) on all vessels over 20 meters in length.

TECHNICAL DATA

S.P.L.: 110 dB (A)

Material: Stainless Steel

Net Weight: 14 lbs. (5.9 kg)

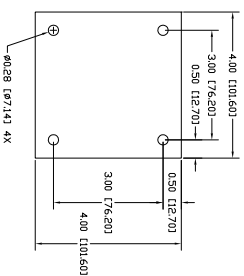
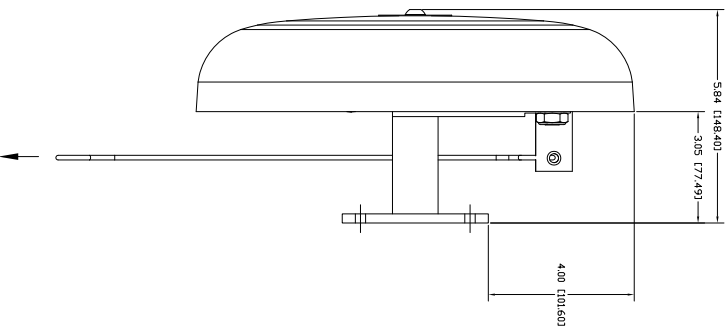
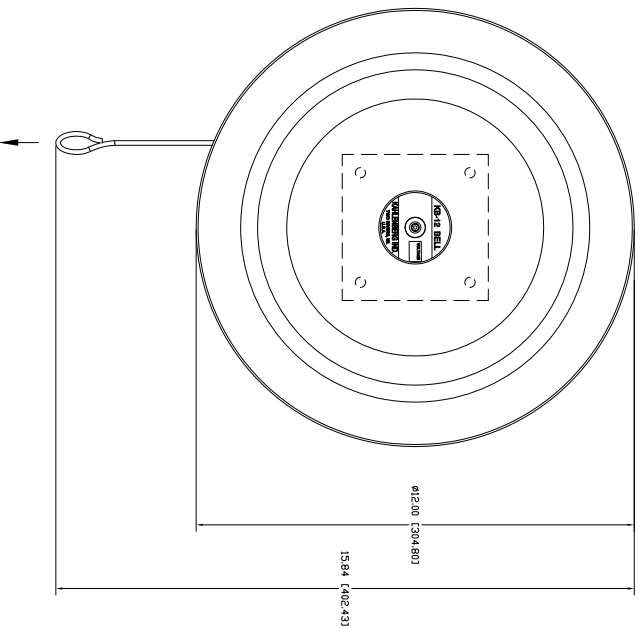
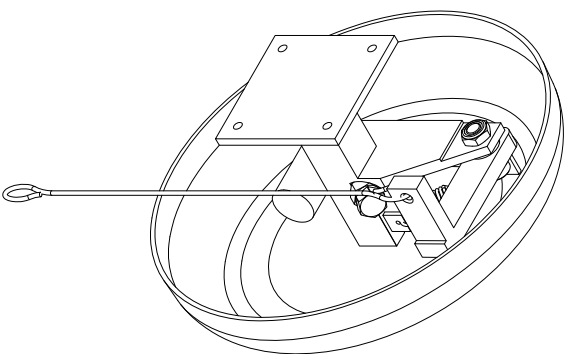
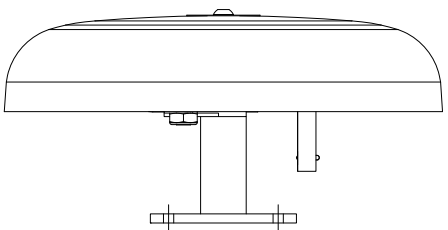
Dimensions: 12" Dia. X 5.84"
(300 mm Dia. X 150 mm)

Operating Mechanism: Manual Pull Lanyard



- **STAINLESS STEEL LOW PROFILE CONSTRUCTION**
- **FOR VESSELS OVER 20 METERS IN LENGTH**
- **MEETS OR EXCEEDS IMO AND USCG REQUIREMENTS**
- **HIGHLY RELIABLE, VIRTUALLY NO MAINTENANCE**
- **MANUALLY OPERATED**

REV.	BY	DATE	DESCRIPTION	APP'D.



MECHANICAL BELL
 MATERIAL: STAINLESS STEEL
 dB: 110dBA @ 1m
 WEIGHT: 13.9 Lbs./6.29 kg

CONFIDENTIAL

INFORMATION CONTAINED HEREIN IS CONFIDENTIAL. IT IS THE PROPERTY OF KAHLBERG INDUSTRIES INC. IT IS TO BE USED SOLELY FOR THE PURPOSE PROVIDED, AND IT IS NOT TO BE DISCLOSED TO OTHERS WITHOUT THE PRIOR WRITTEN CONSENT OF KAHLBERG INDUSTRIES INCORPORATED.



KAHLBERG INDUSTRIES INC. TWO RIVERS, WISCONSIN 54241

**OUTLINE DIMENSIONS
 KB-12 SHIPS BELL**

© Copyright Kahlberg Ind. Inc. 2010

DR.	DATE	CKD.	SCALE	DRWG. NO.	REV.
ZJN	03/05/14	EMK	N.T.S.	3-6832	