

MODEL K-460 AIR HORN

THE KAHLENBERG K-460 MARINE AIR HORN IS DESIGNED FOR BOATS BETWEEN 25 AND 45 FEET IN LENGTH. AS WITH ALL KAHLENBERG AIR HORNS FOR PLEASURE CRAFT, THE K-460 HAS BEEN DEVELOPED TO MAXIMIZE AUDIBILITY, WHILE PRODUCING A RICHNESS OF TONE BASED ON MUSICAL INSTRUMENT DESIGN.



TECHNICAL DETAILS

Frequency: 460 Hz
S.P.L. Output: 127.4 dB (A) @ 1 Meter
Air Consumption: 0.8 C.F.M.
Operating Pressure: 15 to 150 p.s.i.
Electric Power: 12 Volt D.C. (Compressor)
Material: Spun Brass and Cast Brass
Net Weight: 1.5 lbs.
Finish: Chrome Plate or White Powdercoat Finish
Certification: ABS and NMMA Certified A-23

FEATURES AND BENEFITS OF THE K-460 AIR HORN INCLUDE:

- ✦ Output exceeds other electric or air horns of similar size.
- ✦ Made entirely of brass with bronze diaphragm:
(Function of the horn guaranteed for as long as you own it.)
(Despite its small size, the horn operates on pressures up to 150 p.s.i. for maximum dB output)
- ✦ Extremely low air consumption:
Allows for use of a very small compressor kit and very small air lines. Blast duration is nearly continuous.
- ✦ Easy Installation: Optional compact compressor kit, fittings, and tubing are easily installed.

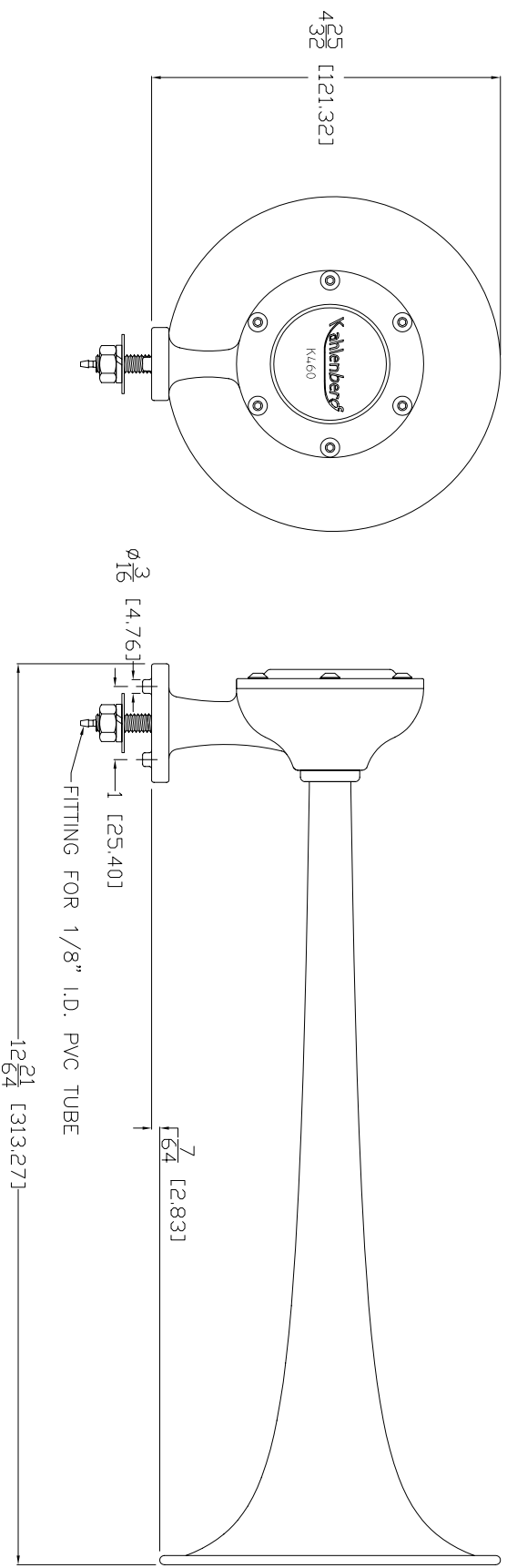
THE K-460 AIR HORN AND
COMPRESSOR SYSTEM MEET
NMMA/ABYC A-23 STANDARDS


KAHLENBERG INDUSTRIES, INC.
1700 12TH STREET, P.O. Box 358
TWO RIVERS, WI 54241 U.S.A.

WWW.KAHLENBERG.COM

3-6456

REV.	BY	DATE	DESCRIPTION	APP'D.
A	ZN	01/28/10	FITTING WAS FOR 1/8" O.D. TUBE	EMK



 KAHLENBERG BROS. CO. TWO RIVERS, WISCONSIN 53241					
OUTLINE DIMENSIONS K-460 AIRHORN					
DR.	DATE	CKD.	SCALE	DRWG. NO.	REV.
ZJN	09/20/07	EMK	N.T.S.	3-6456	A