

MODEL K-380 AIR HORN

THE KAHLENBERG K-380 MARINE AIR HORN IS DESIGNED FOR BOATS BETWEEN 25 AND 45 FEET IN LENGTH. AS WITH ALL KAHLENBERG AIR HORNS FOR PLEASURE CRAFT, THE K-380 HAS BEEN DEVELOPED TO MAXIMIZE AUDIBILITY, WHILE PRODUCING A RICHNESS OF TONE BASED ON MUSICAL INSTRUMENT DESIGN.



TECHNICAL DETAILS

Frequency: 385 and 462 Hz
S.P.L. Output: 128.4 dB (A) @ 1 Meter
Air Consumption: 1.6 C.F.M.
Operating Pressure: 15 to 150 p.s.i.
Electric Power: 12 Volt D.C. (Compressor)
Material: Spun Brass and Cast Brass
Net Weight: 3.5 lbs.
Finish: Chrome Plate or White Powdercoat Finish
Certification: ABS, NMMA Certified A-23

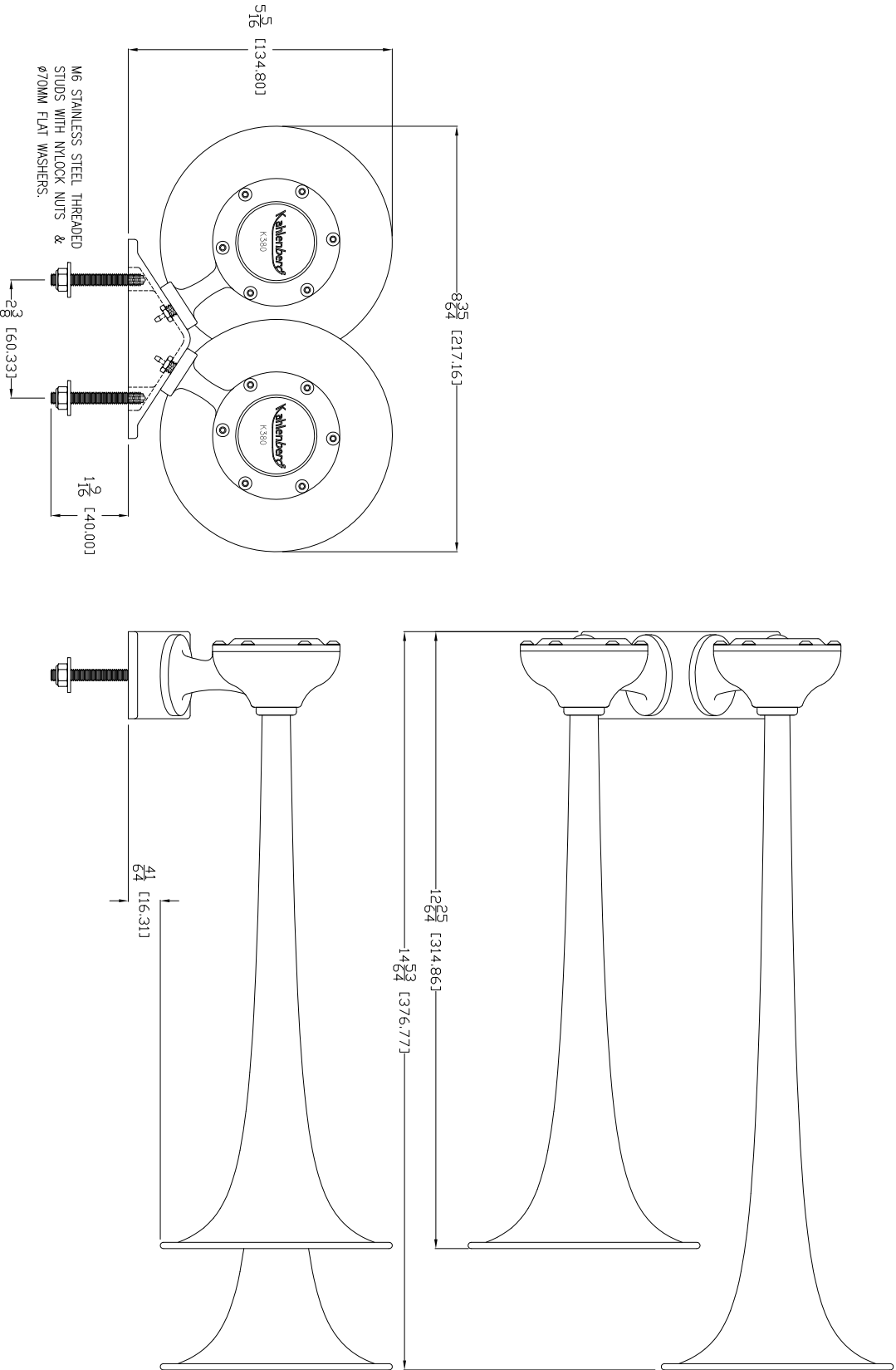
FEATURES AND BENEFITS OF THE K-380 AIR HORN INCLUDE:

- ✦ Output exceeds other electric or air horns of similar size.
- ✦ Made entirely of brass with bronze diaphragm:
(Function of the horn guaranteed for as long as you own it.)
(Despite its small size, the horn operates on pressures up to 150 p.s.i. for maximum dB output)
- ✦ Extremely low air consumption:
Allows for use of a very small compressor/tank kit
- ✦ Easy Installation: Optional compact compressor kit, fittings, and tubing are easily installed.

KAHLENBERG INDUSTRIES, INC.
1700 12TH STREET, P.O. Box 358
TWO RIVERS, WI 54241 U.S.A.

WWW.KAHLENBERG.COM

REV.	BY	DATE	DESCRIPTION	APP'D.
A	ZN	02/15/08	ADDED TECHNICAL DETAILS	EMK
B	ZN	04/07/11	ADDED NEW MANIFOLD DESIGN	EMK



TECHNICAL DETAILS

Frequency: 385 & 462 Hz
 S.P.L. Output: 128.4 dB (A) @ 1 meter
 Air Consumption: 1.6 C.F.M.
 Operating Pressure: 15 to 150 p.s.i.
 Electrical Power: 12 Volt D.C. (Air Compressor)
 Material: Spun Brass and Cast Bronze
 Net Weight: 3.5 lbs.
 Shipping Weight: 6.0 lbs.
 Finish: Kahlenberg Chrome Plate Finish
 Certification: NIMMA Certified A-23



OUTLINE DIMENSIONS
 K-380 AIRHORN

DR.	DATE	CKD.	SCALE	DWG. NO.	REV.
ZJN	10/23/06	EMK	N.T.S.	3-6419	B