



SINCE 1895

Arena/Stadium Air Horns

Model K-1L1-SB Wireless Scoreboard Horn

K-1L1-SB Wireless Scoreboard Air Horn is Designed for use as a scoring signal for football fields and other outdoor venues. Providing a sound pressure level of over 140 Db @ 1 Meter, the K-1L1-SB Horn produces a blast well over the typical sound level of a PA system. For reference, this is the same horn design and output as found on diesel locomotives. Sold as a complete assembly, it includes a bracket for mounting to the scoreboard, and wireless receiver. Activation is by an included “key fob” transmitter. Simply press the “key fob” from a remote location to set off the horn. Multiple key fob transmitters can be programmed for use with this system.

An inexpensive watertight power supply (P490-15) is available to convert A.C. power at the scoreboard to 12 volts D.C. required by the radio receiver. The K-1L1-SB is activated wirelessly from up to 1200 feet away. An air connection fitting is provided for connection of typical contractor type air compressors that produce over 100 p.s.i. air pressure to the horn.



TECHNICAL DATA

Fundamental Frequency: 261 and 311 Hz

S.P.L.: 140 dB (lin) @ 1 meter

Air Pressure Required: 75 to 150 p.s.i.

Electrical Power Required:
12 Volts D.C. (100-240 Volts A.C. with optional power supply)

Material: Cast Aluminum and Steel

Net Weight: 21 lbs.

Finish:
Primed and Painted
Safety Red Polyurethane

- **FOR HIGH SCHOOL FOOTBALL FIELDS AND OUTDOOR SPORTS FACILITIES**
- **LOUDEST, HIGHEST QUALITY AVAILABLE, HIGHLY RELIABLE, NO MAINTENANCE**
- **CONNECT AIR FROM TYPICAL “SHOP” OR MOBILE AIR COMPRESSOR**
- **12 VOLT D.C. POWERED, AVAILABLE WITH OPTIONAL 120 VOLT POWER SUPPLY**
- **MINIMAL ASSEMBLY REQUIRED**

Kahlenberg Industries, Inc.

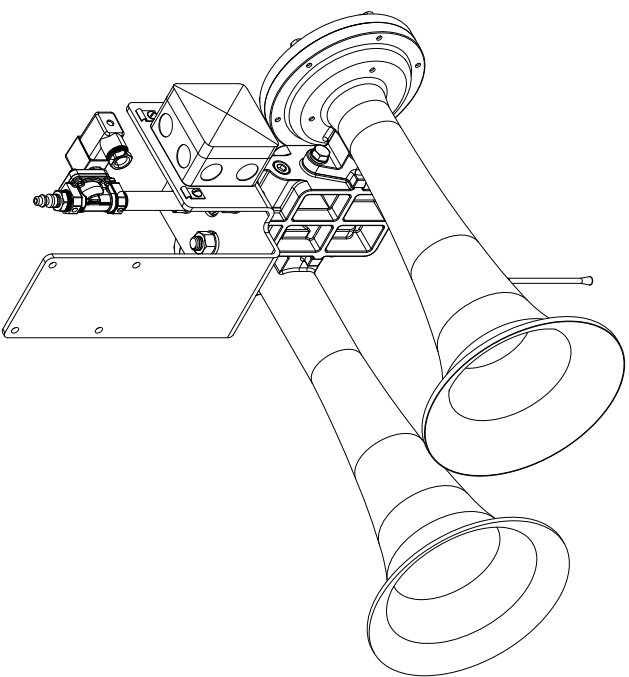
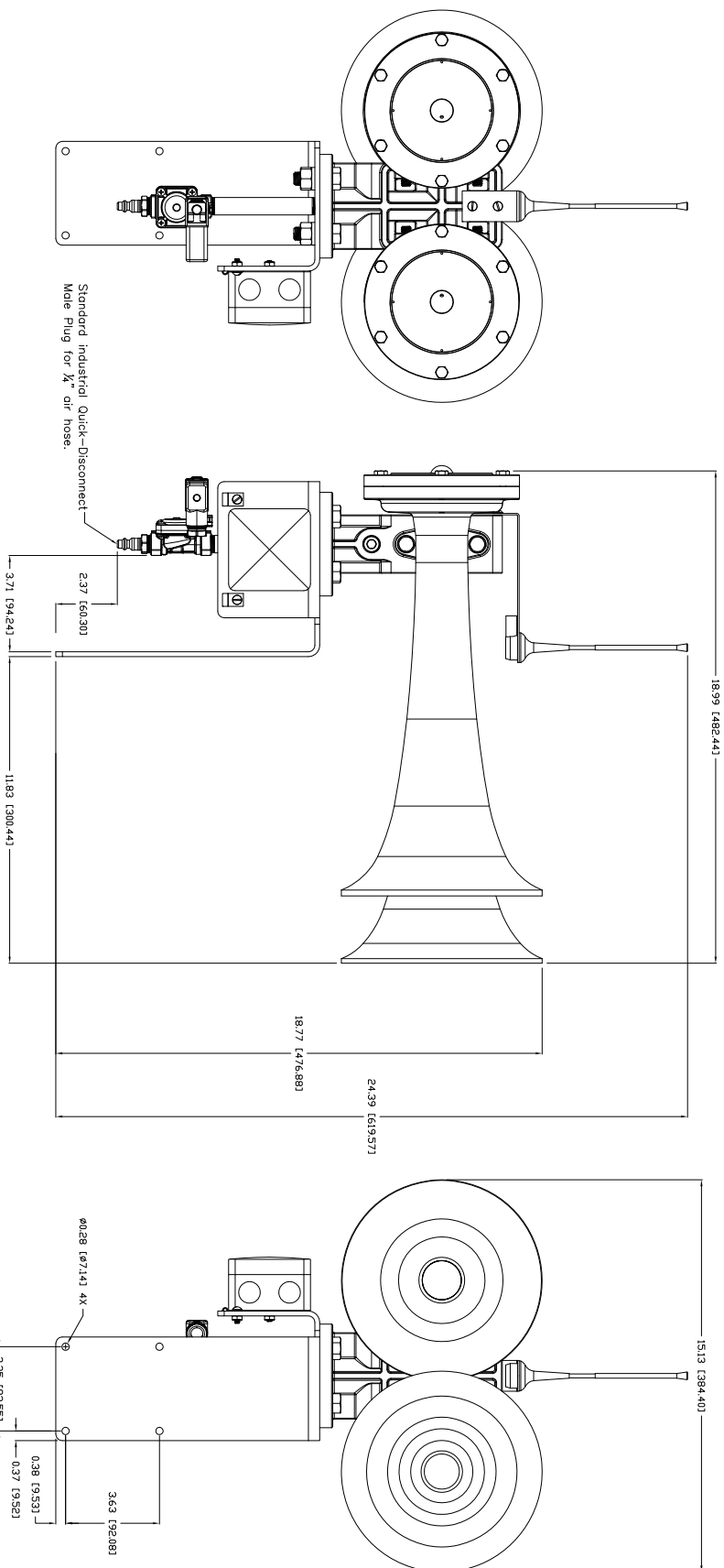
1700 12th Street, P.O. Box 358

Two Rivers, Wisconsin, 54241

Phone: (920) 793-4507 / Fax: (920) 793-1346

Website: www.kahlenberg.com

Email: info@kahlenberg.com



AIR HORN FEATURES
 K-1L1 Air Horn, Dual Tone, cast aluminum, with fundamental frequency of 261/311 Hz $\pm 4\%$, SPL (loudness): 140 ± 1 dB (C) & (A) on total at 1 meter, blowing with air pressure 100 PSI (7 bar) at base, and air consumption of 55 SCFM (27 L/Sec). Air inlet 1/2" NPT. Net weight: 16 lbs (7.3 kg), polyurethane safety red finish, per Dwg. 3-7235

OPERATING VALVE
 12 Volt D.C., 230 PSI MAX., with waterproof DIN connector (internal wiring connections)

WIRELESS FEATURES
 Long Range Receiver - up to 1200 feet
 Push to Learn up to 85 remotes
 Exterior Grade Plastic Housing
 Whip Antenna Included

*ASSEMBLY SHIPS PARTIALLY ASSEMBLED AS THREE PIECES, HORN, ANTENNA/BACKET/WIRELESS ASSEMBLY, AND VALVE/PIPE NIPPLE ASSEMBLY

Kahlenberg
 KAHLBERG INDUSTRIES, INC. TWO RIVERS, WISCONSIN 54241

OUTLINE DIMENSIONS
K-1L1-SB VERTICAL MOUNT ASSY.
WITH WIRELESS RECEIVER

DR.	DATE	CKD.	SCALE	DRWG. NO.	REV.
ZLN	01/07/19	EMK	N.T.S.	3-7324	

PARTS LIST DRAWING : 3-7340