

Model F-2 Yacht Horn

Kahlenberg Chimetone Air Horns all utilize more than one projector or “trumpet” in their design. These projectors each produce a different fundamental frequency which combine to produce powerful, distinctive, musical chords. To hear a Chimetone Air Horn is to realize that the sound of a vessel can be one of its most impressive aspects. The Model F-2 Air Horn is designed for the most discriminating yachtsman. It is made entirely of bronze and brass, and is available in triple chrome plate, or a variety of other optional finishes.



TECHNICAL DATA

Fundamental Frequency: 349, 311, 261, 220, 174 Hz

S.P.L.: (1/3 Octave @ 1 Meter): 132 dB

Air Consumption:
65 C.F.M. @ 100 p.s.i., 31 l/s @ 7 bar

Air Pressure Required:
100 to 250 p.s.i., 7 to 17 bar
(Higher pressures with optional regulators)

Electrical Power Required:
Any standard A.C. or D.C. Voltage

Material: Cast Bronze and Spun Brass

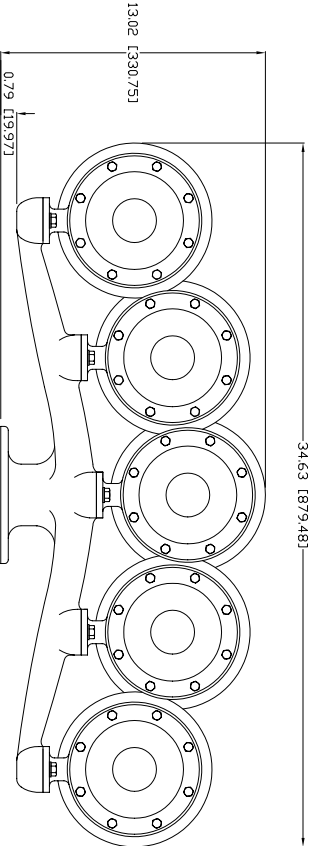
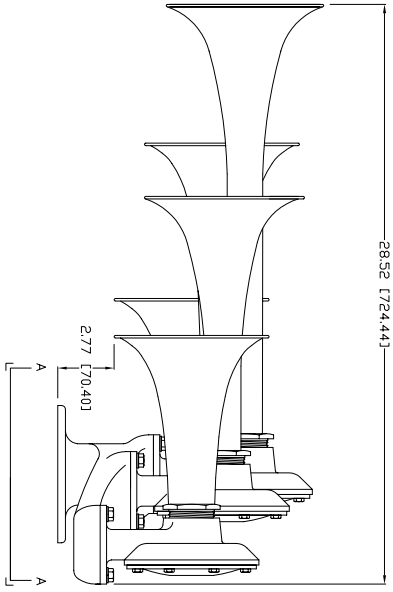
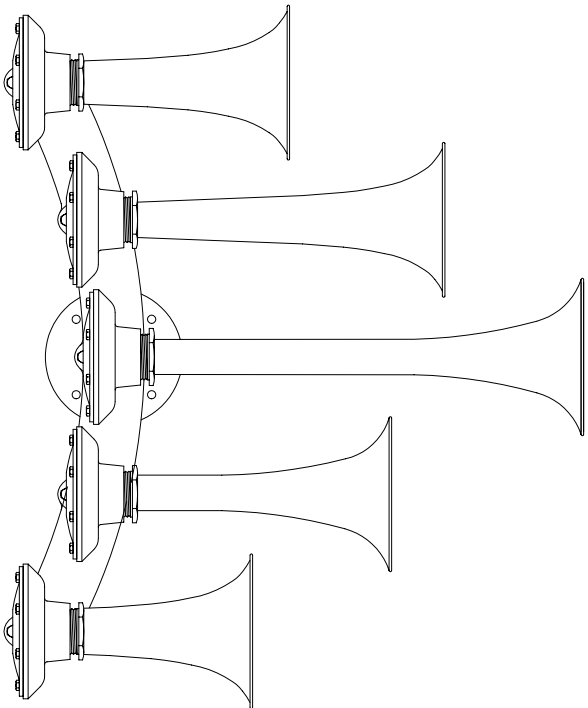
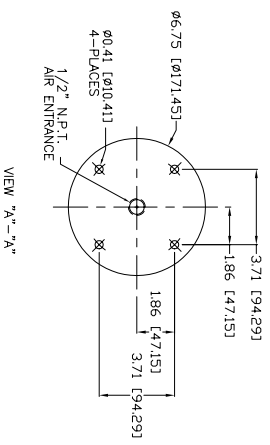
Net Weight: 100lbs., 45 kg.,

Finishes:
Kahlenberg Chrome Plate, TGIC Sky White Powdercoat, Gold or Black Chrome PVD

Dimensions:
28.52" x 34.6" x 13" (723 x 879 x 33)

- **FOR VESSELS LESS THAN 75 METERS IN LENGTH**
- **MEETS OR EXCEEDS IMO REQUIREMENTS**
- **OPERATES ON A WIDE RANGE OF AIR PRESSURE**
- **HIGHLY RELIABLE, VIRTUALLY NO MAINTENANCE**
- **OPTIONAL DIRECTLY MANIFOLDED MANUAL/SOLENOID VALVES, AIR STRAINER**

Conforming to International Maritime Regulations
For Vessels Less Than 75 meters in Length.



TECHNICAL DATA
 Frequency: 349, 311, 261, 220, & 174 Hz
 Sound Pressure Level (dB(A) at 1 meter): 139dB
 Sound Pressure Level (1/3 octave at 1 meter): 132dB
 Air Consumption: appx. 95 C.F.M. @ 150 P.S.I.
 Air Pressure Req: 100 To 250 P.S.I.
 Electric Power: Any Standard A.C. or D.C. voltage
 Material: Spun Brass & Cast Bronze
 Net Weight: 100 Lbs.
 Shipping Weight: 152 Lbs.



KAHLENBERG BROS. CO. TWO RIVERS, WI. U.S.A.

**OUTLINE DIMENSIONS
MODEL F-2 AIRHORN**

Price: \$ _____ U.S.D. Net. Ea.
 (Valid for 60 days, F.O.B. Two Rivers, WI. U.S.A.)

DATE	CKD.	DRAWING #	REV.
08/12/05	EMK	3-6374	