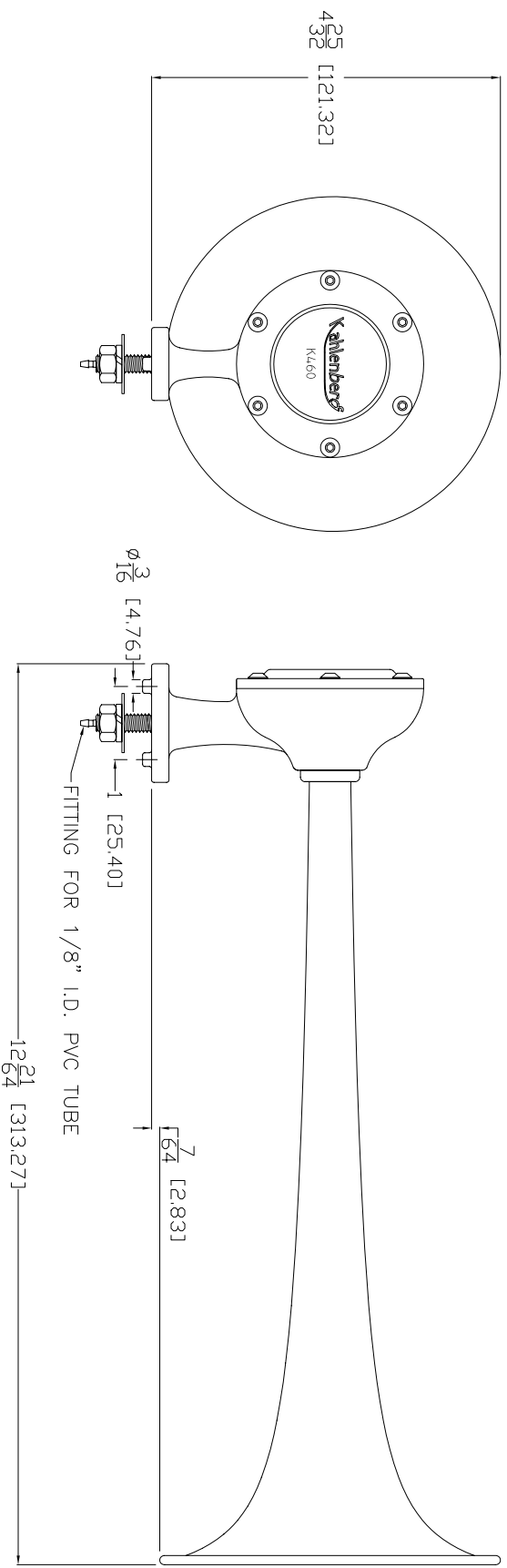


3-6456

REV.	BY	DATE	DESCRIPTION	APP'D.
A	ZN	01/28/10	FITTING WAS FOR 1/8" O.D. TUBE	EMK



Kahlenberg					
KAHLENBERG BROS. CO. TWO RIVERS, WISCONSIN 53241					
OUTLINE DIMENSIONS K-460 AIRHORN					
DR.	DATE	CKD.	SCALE	DRWG. NO.	REV.
ZJN	09/20/07	EMK	N.T.S.	3-6456	A