

REV.	BY	DATE	DESCRIPTION	APPQ
A	ZM	02/01/81	41 N.P.T. WAS 1/2" VALVE WAS V-13B	JK

WHISTLE

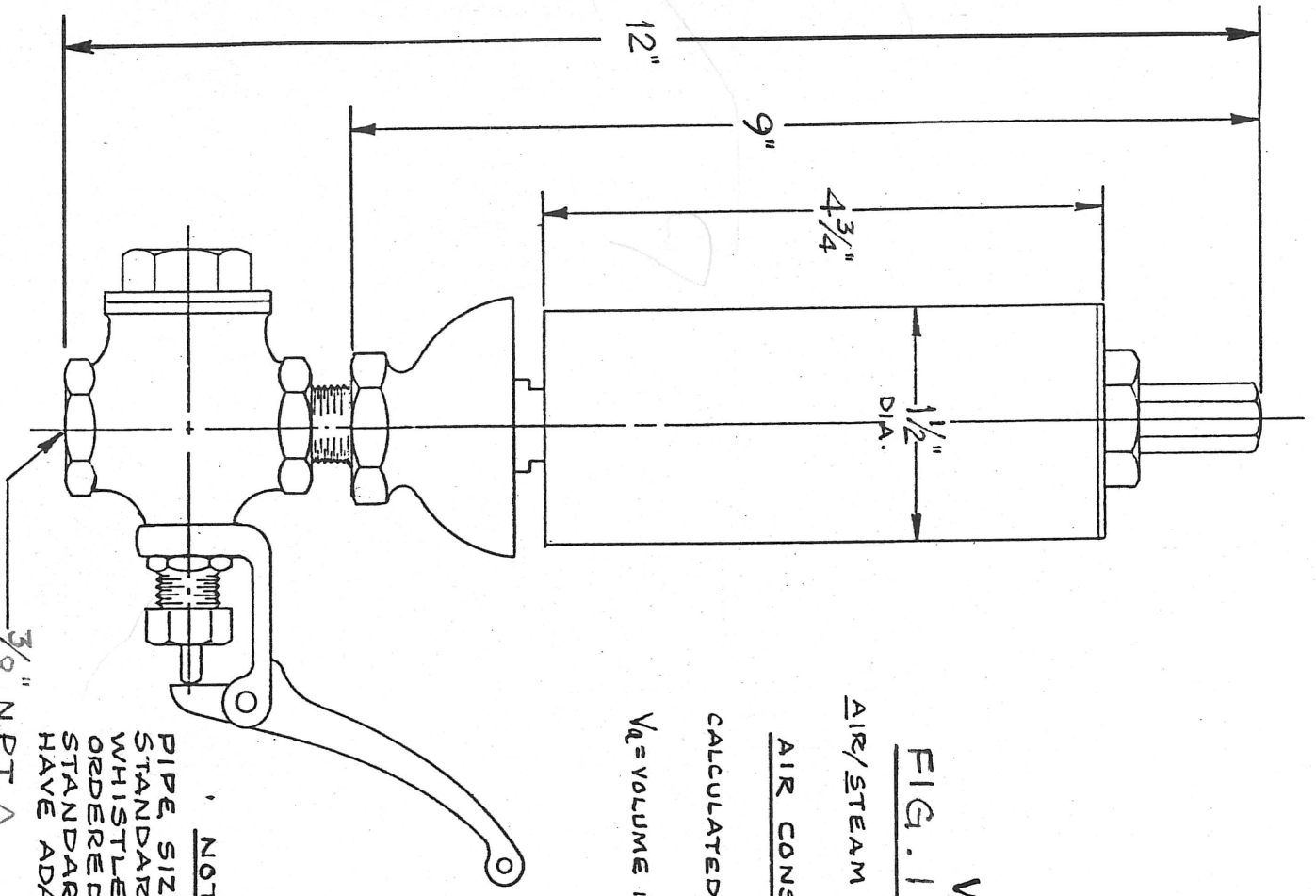
FIG. 116AMV/SMV

AIR/STEAM MONOTONE W/VALVE

AIR CONSUMPTION: 50 PSI/100PSI 1.10 / 2.08 RATED AT CU. FT. PER SEC.

CALCULATED PER FORMULA:  $V_a = \frac{2727 (A/144) \sqrt{P(P+14.7)}}{60}$

$V_a$  = VOLUME IN C.F.S., A = ORIFACE SQ. IN., P = GAUGE PRESSURE



NOTE:  
PIPE SIZES ARE STANDARD.  
WHISTLES ORDERED NON-STANDARD WILL HAVE ADAPTOR.

$\Delta A_2$  V-12 VALVE DETAIL DRG. 2-5364  
116 AMV/SMV DETAIL DRG. 4-639

TOLERANCES UNLESS OTHERWISE SPECIFIED			
DECIMAL	FRACTIONAL	ANGULAR	METRIC
.X ±.015"	± 1/32"	± 1 DEGREE	± .1MM
.XX ±.010"			
.XXX ±.005			

KAHLENBERG BROS. CO.  
TWO RIVERS, WISCONSIN 54241

OUTLINE DIMENSIONS  
1/2" DIA. AIR/STEAM WHISTLE  
1/2" NPT, W/ VALVE, V-13B

DR.	DATE	CKD.	SCALE	DRG. NO.	REV.
So	MAY 6, 1993	JK	N.T.S.	2-5283	A