

### Model D-2CVL Air Horn

Designed for use on vessels up to 75 Meters in length, the Kahlenberg Model D-2CVL Air Horn is an extremely durable unit built for a lifetime of trouble-free service. The unique dual tone sound of the D-2 Air Horn has made it a favorite of commercial vessel operators around the world. This horn includes manual/electric combination valve, air strainer, and whistle light installed.



#### TECHNICAL DATA

Fundamental Frequency: 266, 212 Hz

S.P.L. : (1/3 Octave @ 1 Meter): 132 dB

Air Consumption:

29 C.F.M. @ 100 p.s.i., 8 l/s @ 7 bar

Air Pressure Required:

100 to 250 p.s.i., 7 to 17 bar  
(Higher pressures with optional regulators)

Electrical Power Required:

Any standard A.C. or D.C. Voltage

Material: Cast Bronze and Spun Brass

Net Weight: 44 lbs., 20 kg.

Finish:

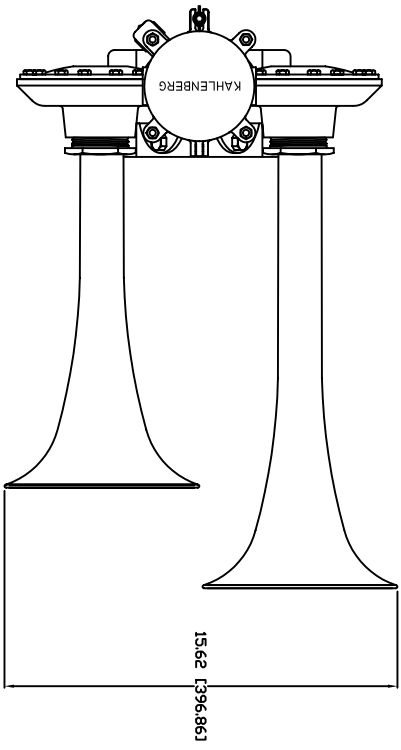
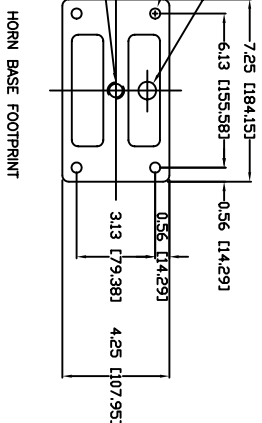
None, or TGIC Sky White Powdercoat

Dimensions:

20.5" x 15.5" x 19.25" (524x394x489)

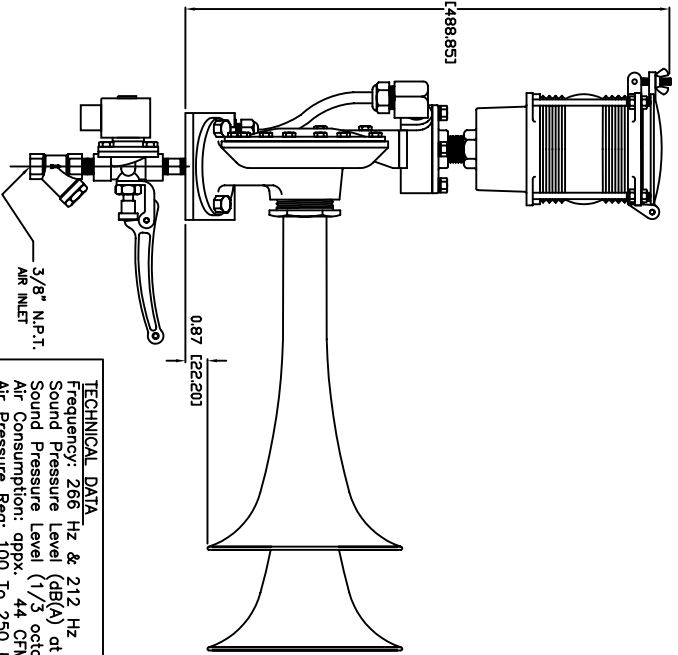
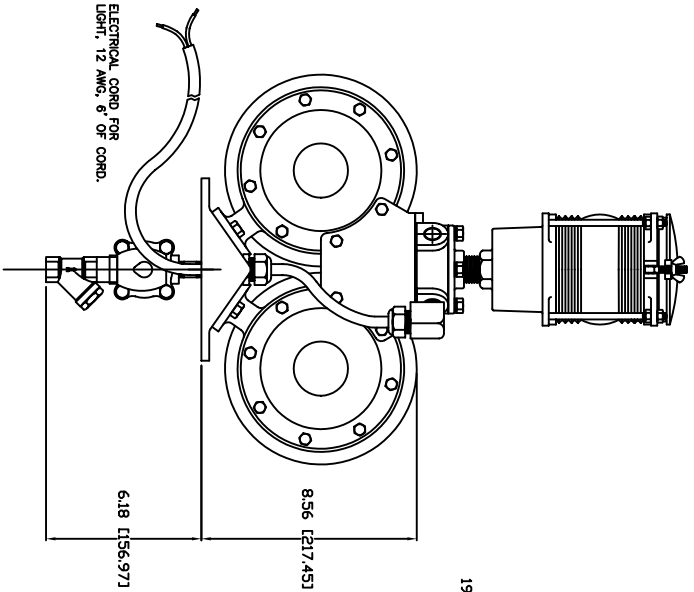
- **FOR VESSELS LESS THAN 75 METERS IN LENGTH**
- **MEETS OR EXCEEDS IMO REQUIREMENTS**
- **LOW AIR CONSUMPTION, OPERATES ON A WIDE RANGE OF AIR PRESSURE**
- **HIGHLY RELIABLE, VIRTUALLY NO MAINTENANCE**
- **DIRECTLY MANIFOLDED MANUAL/SOLENOID VALVE, AIR STRAINER AND MANEUVERING LIGHT**

Conforming to International Maritime Regulations  
For Vessels Less Than 75 Meters in Length



CURRENT REQUIREMENTS  
FOR SOLENOID VALVE

VOLTAGE	AMPS
220 V.A.C.	0.05
24 V.D.C.	0.50



**TECHNICAL DATA**  
 Frequency: 266 Hz & 212 Hz  
 Sound Pressure Level (dB(A) at 1 meter): 138dB  
 Sound Pressure Level (1/3 octave at 1 meter): 132dB  
 Air Pressure: 100 To 250 P.S.I.  
 Air Consumption: approx. 44 CFM @ 150 P.S.I.  
 Air Pressure Req: 100 To 250 P.S.I.  
 Electric Power: 24 V.D.C. & 220 V.A.C.  
 Material: Spun Brass & Cast Bronze  
 Net Weight: 44.00 Lbs.  
 Shipping Weight: 51.00 Lbs.

Price: \$ \_\_\_\_\_ U.S.D. Net. Ea.  
 (Valid for 60 days, F.O.B. Two Rivers, WI, U.S.A.)

**Kahlenberg**  
 KAHLBERG BROS. CO. TWO RIVERS, WI. U.S.A.

OUTLINE DIMENSIONS  
 MODEL D-2 CVL AIRHORN

DATE	DRWG. NO.	REV.
05/04/01	3-6095	A EMK