

### Bi-Directional Air Horns

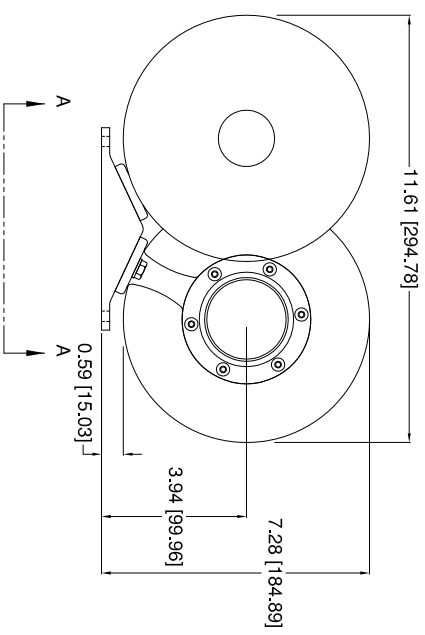
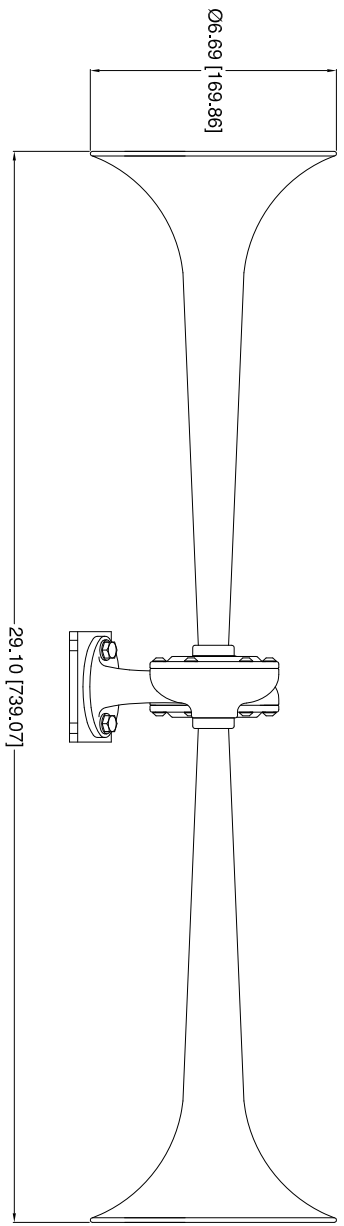
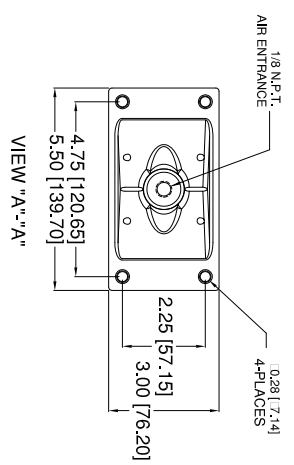
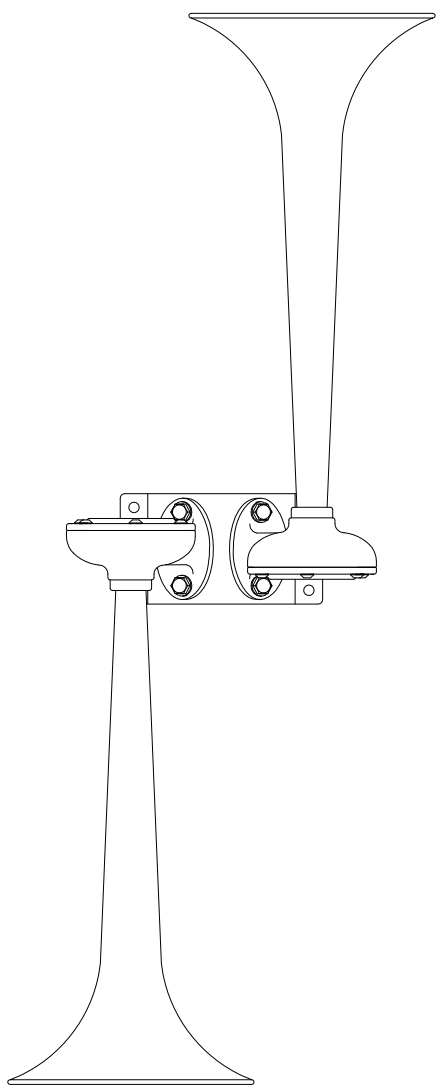
SUITABLE FOR MARINE VESSELS UP TO 20 METERS,  
WARNING SIGNALS, OR OTHER INDUSTRIAL USE



- IMO/COLREGS certified for vessels up to 20 meters
- Assembly includes only 1 moving part
- Highly reliable, no Maintenance required
- Low air consumption, operates on a wide range of air pressure
- All bronze and brass construction for corrosion resistance
- Designed to penetrate high levels of background noise
- Bi-Directional design for improved coverage

<b>SPL (Loudness) on Total:</b>	133 ± 1 dB @ 1 meter
<b>SPL (Loudness) 1/3 octave:</b>	> 122.5 dB @ 1 meter
<b>Audibility:</b>	0.5 nautical miles (IMO)
<b>Fundamental Frequency:</b>	322 Hz
<b>Operating Voltage:</b>	Operated with separate electric solenoid valve
<b>Operating Temperature:</b>	-4° C to +75° C [25° F to 167° F]
<b>Finish:</b>	Bronze and brass horns
<b>Degree of Protection:</b>	IP 54
<b>Basic Dimension:</b>	739x294x184mm [29 x11.5x7.5"]
<b>Net Weight:</b>	4 kg [9 lbs]

REV.	BY	DATE	DESCRIPTION	APP'D.
A	ZN	12/20/12	UPDATED TO CURRENT "O" SERIES DESIGN	EMK



**TECHNICAL DATA**

Frequency: 322 Hz  
 Sound Pressure Level (1/3 octave at 1 meter): 122.5 dB  
 Sound Pressure Level (dB(A) @ 1 meter): 133.0 dB  
 Air Consumption: 17.6 C.F.M. @ 100 P.S.I.  
 Air Pressure Req: 50 to 200 P.S.I.  
 Electric Power: N/A  
 Material: Spun Brass and Cast Bronze  
 Net Weight: 9.00 Lbs.  
 Shipping Weight: 14 Lbs.

Price: \$ \_\_\_\_\_ U.S.D., Net. Ea.  
 (Valid for 60 days, F.O.B. Two Rivers, WI. U.S.A.)

**CONFIDENTIAL**

INFORMATION CONTAINED HEREIN IS CONFIDENTIAL. IT IS THE PROPERTY OF KAHLBERG INDUSTRIES INC.. IT IS TO BE USED SOLELY FOR THE PURPOSE PROVIDED, AND IT IS NOT TO BE DISCLOSED TO OTHERS WITHOUT THE PRIOR WRITTEN CONSENT OF KAHLBERG INDUSTRIES INCORPORATED.

© Copy/Right Kahleberg Ind. Inc. 2010

*Kahlberg*  
 KAHLBERG INDUSTRIES INC. TWO RIVERS, WISCONSIN 54241

**OUTLINE DIMENSIONS**  
**B1-OA AIRHORN**

DR.	DATE	CKD.	SCALE	DRWG. NO.	REV.
ZJN	04/29/05	EMK	N.T.S.	3-6359	A