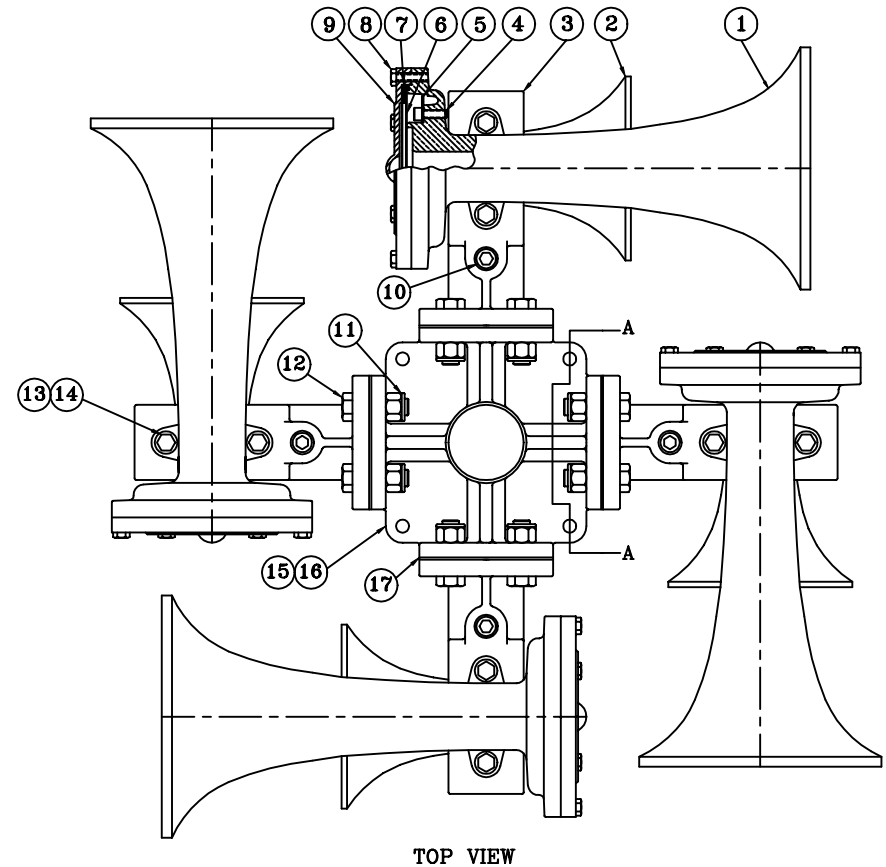
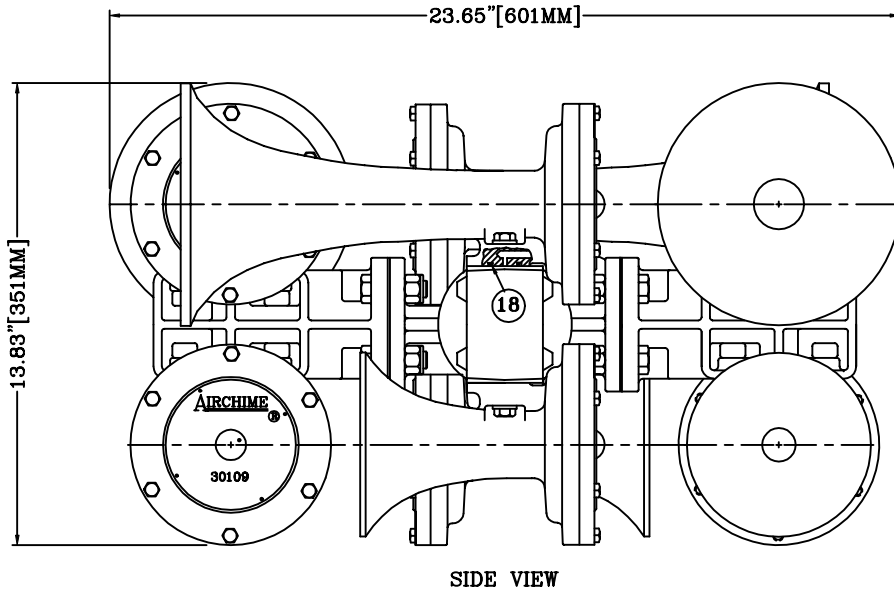
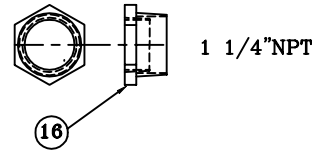
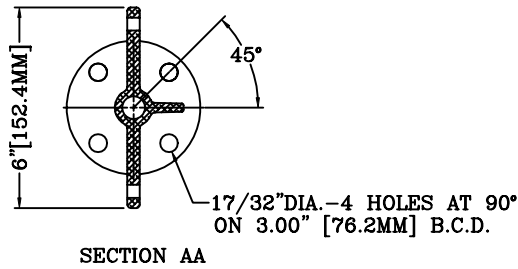



REVISIONS			
REV	DESCRIPTION	DATE (YR-MO-DA)	APPROVED



FINISH: RED LACQUER PAINT

REF	PART	DESCRIPTION	MATERIAL	SPECIFICATION	QTY
1	30102	BELL BODY No. 2	DIE CAST ALUMINUM	UNS A03830	8
2	30105	BELL BODY No. 5	DIE CAST ALUMINUM	UNS A03830	8
3	30124	TWO TONE BASE	CAST ALUMINUM	UNS A03562	4
4	30144	SOCKET HEAD CAP SCREW	STAINLESS STEEL	ASTM F837	24
5	30143	DIFFUSER	STAINLESS STEEL	UNS S30400	8
6	30111	DIAPHRAGM DISC	STAINLESS STEEL	UNS S30100	16
7	30112	CUSHION RING	SILICONE RUBBER	ASTM D2000	8
8	30110	HEX HEAD CAP SCREW	STAINLESS STEEL	ASTM F593C	48
9	30109	DIAPHRAGM CAP	DIE CAST ALUMINUM	UNS A03830	8
10	20914	PIPE PLUG 3/8 NPT	ALLOY STEEL	ASA B21	8
11	85211	NYLOCK HEX NUT	STAINLESS STEEL	ASTM F594	16
12	10497	HEX HEAD CAP SCREW	STAINLESS STEEL	ASTM F593C	16
13	30119	HEX HEAD CAP SCREW	STAINLESS STEEL	ASTM F593C	16
14	30122	LOCK WASHER	STAINLESS STEEL	ASTM F593C	16
15	30129	FOUR DIRECTIONAL BASE	CAST ALUMINUM	UNS A03562	1
16	30156	PIPE BUSHING	ALLOY STEEL	ASA B18.8	1
17	30123	GASKET	RUBBER/CORK	COMMERCIAL	4
18	30211	O RING	BUNA N	MIL STD 417 SB	8

<p>CONFIDENTIAL</p> <p>INFORMATION CONTAINED HEREIN IS CONFIDENTIAL, IT IS THE PROPERTY OF AIRCHIME MFG. CO. LTD., IT IS TO BE USED SOLELY FOR THE PURPOSE PROVIDED, AND IT IS NOT TO BE DISCLOSED TO OTHERS WITHOUT THE PRIOR WRITTEN CONSENT OF AIRCHIME MANUFACTURING COMPANY LIMITED.</p> <p>© Copyright Airchime Mfg. Co. Ltd.</p>	CONTRACT NUMBER		 <p>AIRCHIME MANUFACTURING CO. LTD. LANGLEY, B.C. CANADA V4W 3S8</p>	
	CONTRACTOR			
	DRAWN BY: <i>L.H.F.</i>	DATE (YR-MO-DA) 96-02-08	<p>MODEL K4-25 EIGHT BELL WHISTLE</p>	
	CHECKER: <i>D.W.C.</i>	ENGINEER <i>R.E.S.</i>		
DRAWING DESIGN: <i>D.W.P.</i>		SIZE A	NSCM 36575	30282
TYPE OF DRAWING: ASSEMBLY		SCALE: NONE	UNIT WT: 54 LBS	SHEET: 1 OF 1