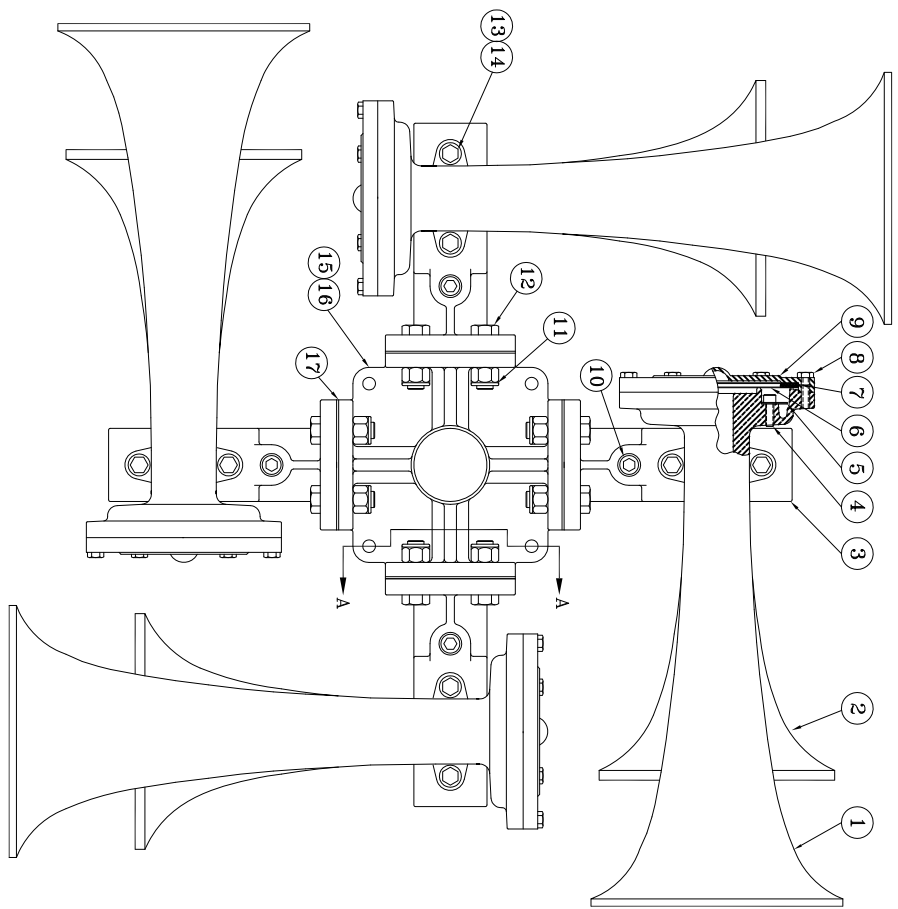
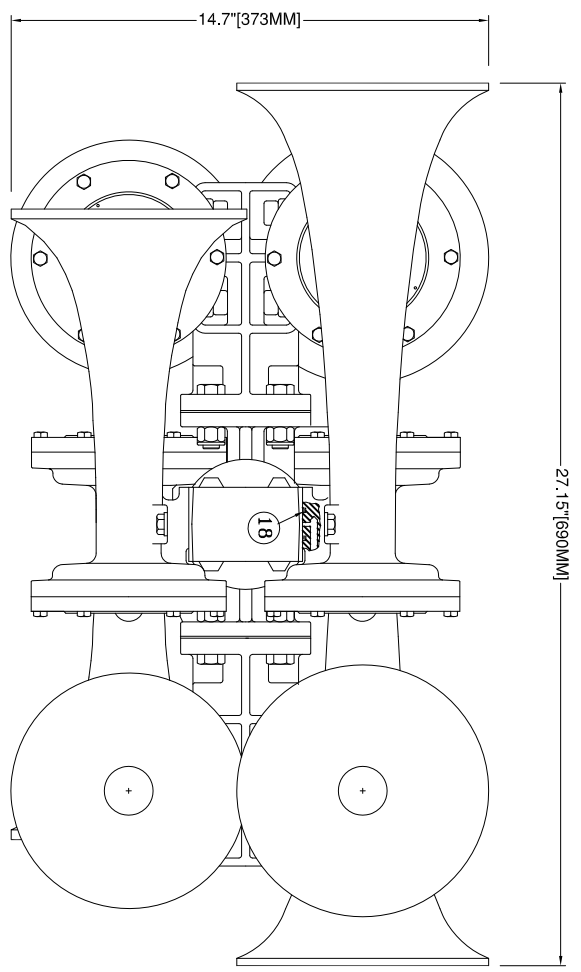
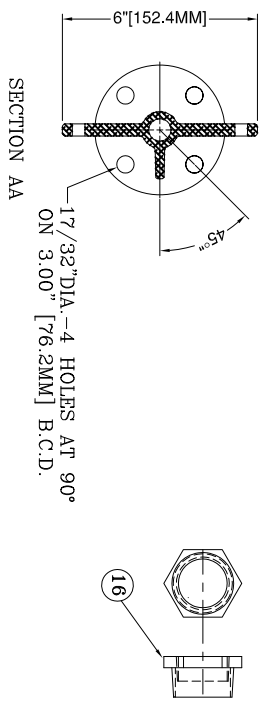


REV.	BY	DATE	DESCRIPTION	APP'D.



\* RECOMMENDED SPARE PARTS

REF PART	DESCRIPTION	MATERIAL	SPECIFICATION	QTY
1	30101 BELL BODY No. 1	DIE CAST ALUMINUM	ASTM B26-65	8
2	30102 BELL BODY No. 2	DIE CAST ALUMINUM	ASTM B26-65	8
3	30124 TWO TONE BASE	CAST ALUMINUM	UNS A03562	4
4	30144 SOCKET HEAD CAP SCREW	STAINLESS STEEL	ASTM F837-91	24
5	30143 DIPFUSER	STAINLESS STEEL	UNS S30400	8
6	30111 DIAPHRAGM DISC	STAINLESS STEEL	UNS S30100	16
7	30112 CUSHION RING	SILICONE RUBBER	ASTM D2000	8
8	30110 HEX HEAD CAP SCREW	STAINLESS STEEL	ASTM F593C	48
9	30109 DIAPHRAGM CAP	DIE CAST ALUMINUM	ASTM B26-65	8
10	20914 PIPE PLUG 3/8 NPT	ALLOY STEEL	ASA B21	8
11	85211 NYLOCK HEX NUT	STAINLESS STEEL	ASTM F594C	16
12	10497 HEX HEAD CAP SCREW	STAINLESS STEEL	ASTM F593C	16
13	30119 HEX HEAD CAP SCREW	STAINLESS STEEL	ASTM F593C	16
14	30122 LOCK WASHER	STAINLESS STEEL	ASTM F593C	16
15	30129 FOUR DIRECTIONAL BASE	CAST ALUMINUM	UNS A03562	1
16	30156 PIPE BUSHING	ALLOY STEEL	ASA B18.8	1
17	30123 GASKET	RUBBER/CORK	COMMERCIAL	4
18	30211 O RING	BUNA N	MI-R-003065A	8

CAGE: 75214

Copyright Kahlberg Ind. Inc. 2010

**Kahlberg**

KAHLBERG INDUSTRIES INC. TWO RIVERS, WISCONSIN 54241

OUTLINE DIMENSIONS / PARTS LIST  
MODEL K4-12 AIR HORN

DR.	DATE	CKD.	SCALE	DRWG. NO.	REV.
ZJN	03/19/13	EMK	N.T.S.	30280	