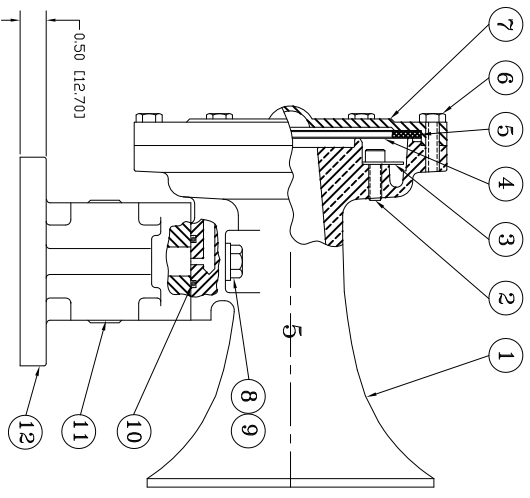
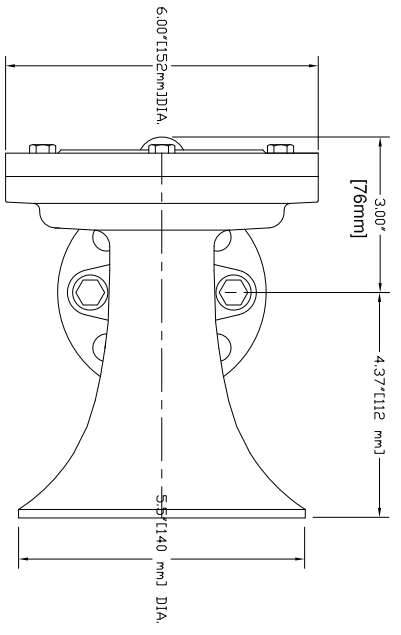
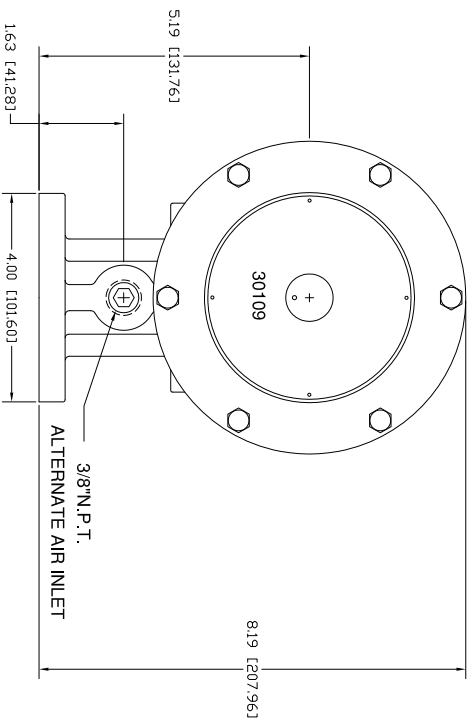
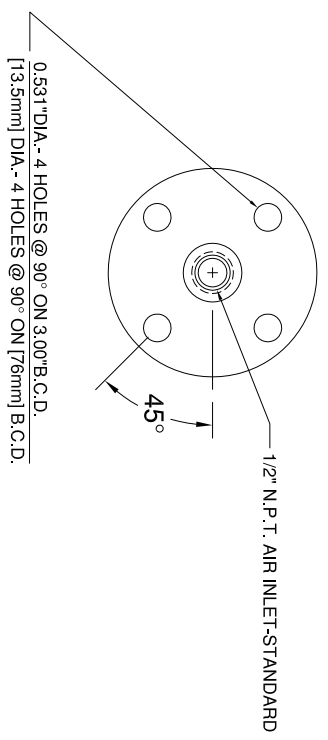


REV.	BY	DATE	DESCRIPTION	APP'D.

FUNDAMENTAL FREQUENCY : 622 Hz



REF PART	DESCRIPTION	MATERIAL	SPECIFICATION	QTY
1	BELL BODY No. 5	DIE CAST ALUMINUM	ASTM-B26-65	1
2	SOCKET HD. CAP SCREW	STAINLESS STEEL	ASTM F837	3
3	DIEFUSER	STAINLESS STEEL	UNS-S30400	1
4	DIAPHRAGM DISC	STAINLESS STEEL	UNS-S30100	2
5	CUSHION RING	SILICONE RUBBER	ASTM D2000	1
6	HEX HEAD CAP SCREW	STAINLESS STEEL	ASTM F593C	6
7	DIAPHRAGM CAP	DIE CAST ALUMINUM	ASTM-B26-65	1
8	HEX HEAD CAP SCREW	STAINLESS STEEL	ASTM F593C	2
9	LOCKWASHER	STAINLESS STEEL	ASA B27.1	2
10	O RING	BUNA N	ML STD 417SB	1
11	PIPE PLUG 3/8" N.P.T.	ALLOY STEEL	ASA B18.8	2
12	SINGLE TONE BASE	CAST ALUMINUM	UNS A03562	1



ALL DIMENSIONS ARE FOR REFERENCE ONLY, U.O.S.

CONFIDENTIAL
 INFORMATION CONTAINED HEREIN IS CONFIDENTIAL, IT IS THE PROPERTY OF KAHLBERG INDUSTRIES INC.. IT IS TO BE USED SOLELY FOR THE PURPOSE PROVIDED, AND IT IS NOT TO BE DISCLOSED TO OTHERS WITHOUT THE PRIOR WRITTEN CONSENT OF KAHLBERG INDUSTRIES INCORPORATED.

Kahlenberg
 KAHLBERG INDUSTRIES INC. TWO RIVERS, WISCONSIN 54241

OUTLINE DIMENSIONS / PARTS LIST
 MODEL K-5 AIR HORN

CAGE: 75214

Copyright Kahlenberg Ind. Inc. 2010

DR.	DATE	CKD.	SCALE	DRWG. NO.	REV.
ZJN	03/19/13	EMK	N.T.S.	30235	