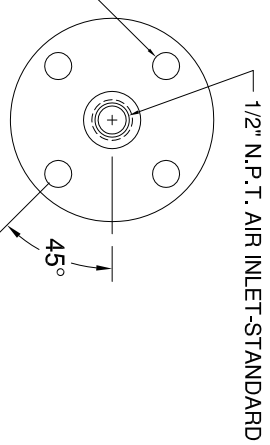
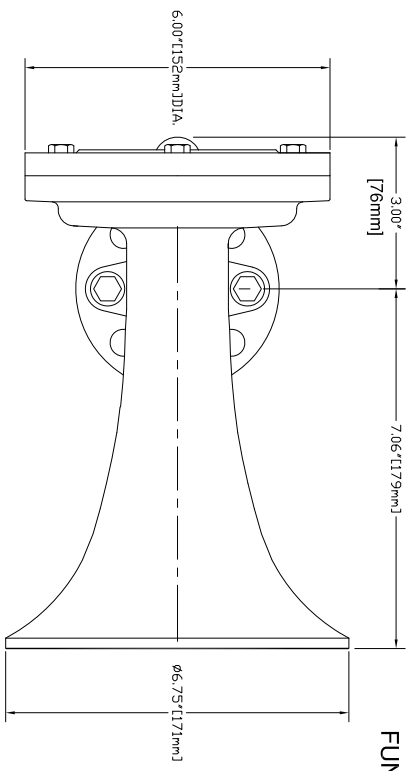
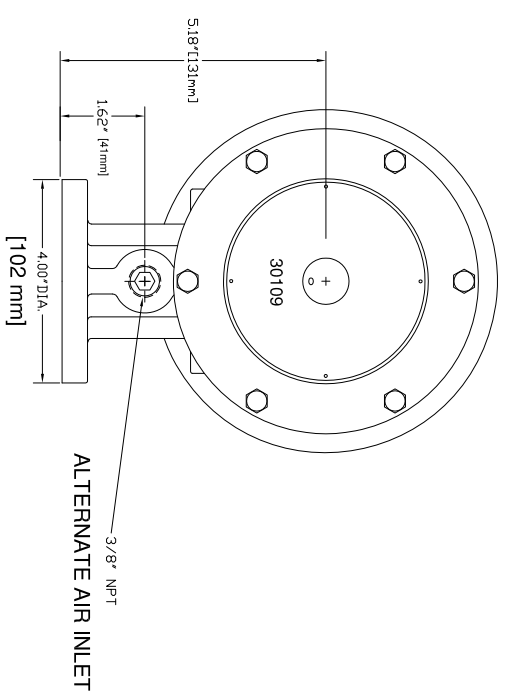
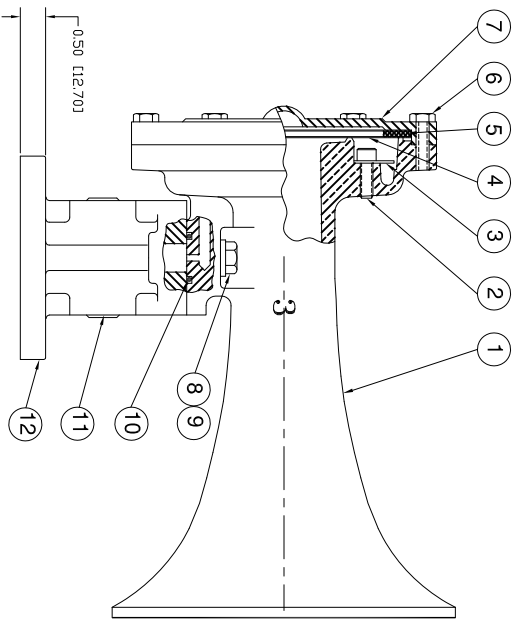


REV.	BY	DATE	DESCRIPTION	APP'D.



0.531" DIA.- 4 HOLES @ 90° ON 3.00" B.C.D.
 [13.4mm] DIA.-4 HOLES @ 90° ON [76mm] B.C.D.



REF PART	DESCRIPTION	MATERIAL	SPECIFICATION	QTY
1	30103 BELL BODY No. 3	DIE CAST ALUMINUM	ASTM-B26-65	1
2	30144 SCREW 1/4"-20x5/8"	STAINLESS STEEL	ASTM F593C	3
3	30143 DIFFUSER	STAINLESS STEEL	UNS-S30400	1
4	30111 DIAPHRAGM DISC	STAINLESS STEEL	UNS-S30100	2
5	30112 CUSHION RING	SILICONE RUBBER	ASTM D2000	1
6	30110 SCREW 1/4"-20x7/8"	STAINLESS STEEL	ASTM F593C	6
7	30109 DIAPHRAGM CAP	DIE CAST ALUMINUM	ASTM-B26-65	1
8	30119 SCREW 3/8"-16x 1 1/2"	STAINLESS STEEL	ASTM F593C	2
9	30122 LOCKWASHER	STAINLESS STEEL	ASA B27.1	2
10	30211 O RING	BUNA N	ML STD 417 SB	1
11	20914 PIPE PLUG 3/8" N.P.T.	ALLOY STEEL	COMMERCIAL	2
12	30117 SINGLE TONE BASE	CAST ALUMINUM	UNS A03562	1

CONFIDENTIAL

INFORMATION CONTAINED HEREIN IS CONFIDENTIAL, IT IS THE PROPERTY OF KAHLBERG INDUSTRIES INC. IT IS TO BE USED SOLELY FOR THE PURPOSE PROVIDED, AND IT IS NOT TO BE DISCLOSED TO OTHERS WITHOUT THE PRIOR WRITTEN CONSENT OF KAHLBERG INDUSTRIES INCORPORATED.

Kahlberg
 KAHLBERG INDUSTRIES INC. TWO RIVERS, WISCONSIN 54241

OUTLINE DIMENSIONS / PARTS LIST
 MODEL K-3 AIR HORN

DR.	DATE	CKD.	SCALE	DRWG. NO.	REV.
ZJN	09/19/13	EMK	N.T.S.	30233	

CAGE: 75214

Copyright Kahlberg Ind. Inc. 2010