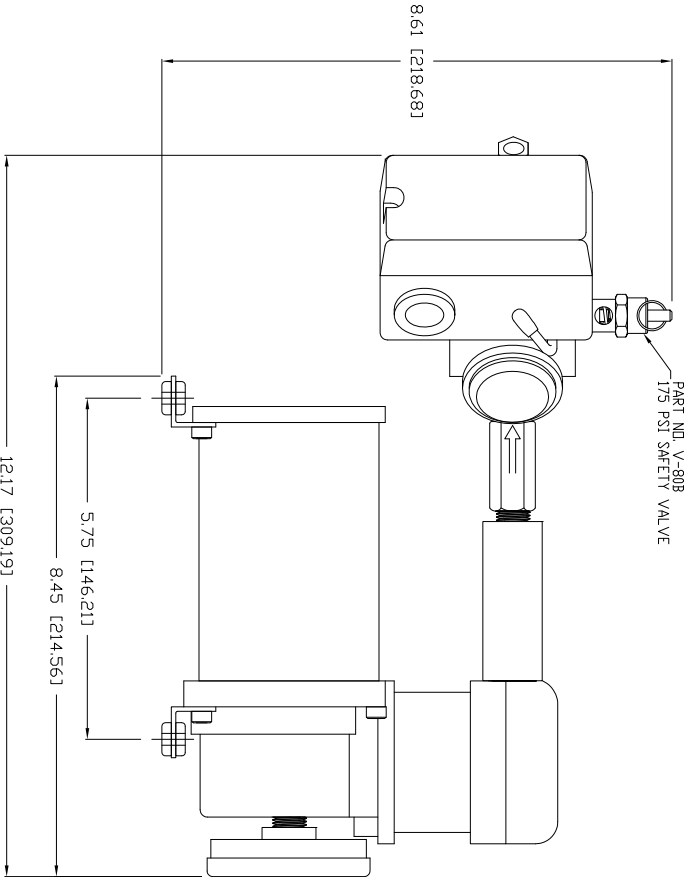
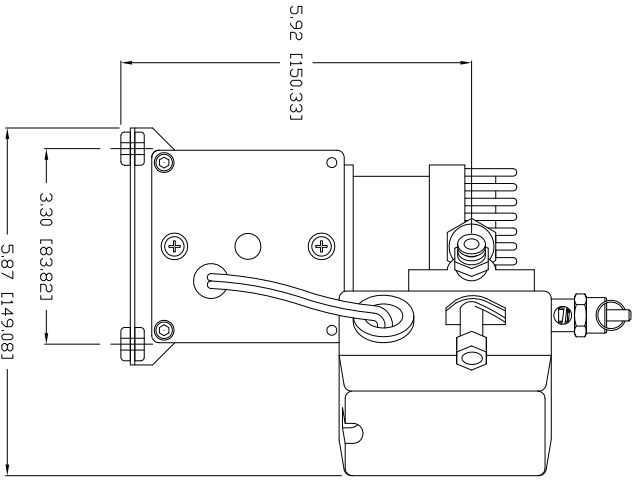
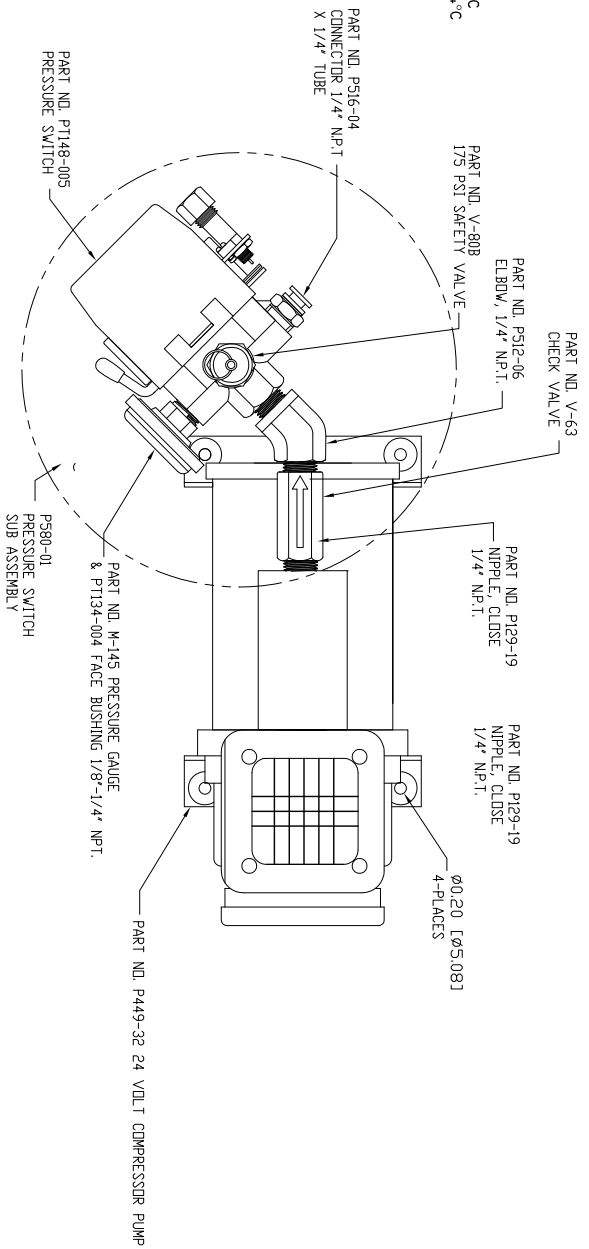
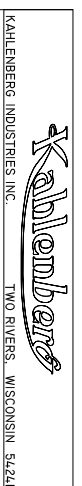


REV.	BY	DATE	DESCRIPTION	APP'D.

PS69-03A SPECIFICATIONS
 24 VDC
 CFM @ P.S.I.: 0.99 @ 100 P.S.I.
 MAX PRESSURE: 150 P.S.I.
 CURRENT AT RATED LOAD (AMPS): 12
 MAX. AMBIENT TEMPERATURE: 158°F, 70°C
 MIN. AMBIENT TEMPERATURE: -40°F, -4.4°C
 MAX. DUTY CYCLE: 33%
 WEIGHT: 7.91 LBS./3.59 KG.
 (PUMP ALONE P449-32)



PART NO. 96623
 FILTER



OUTLINE DIMENSIONS
 PS69-03A 24 VOLT D.C.
 COMPRESSOR PUMP ASSEMBLY

DR.	DATE	CND.	SCALE	DRWG. NO.	REV.
EMK	05/31/19	EMK	N.T.S.	3-7377	