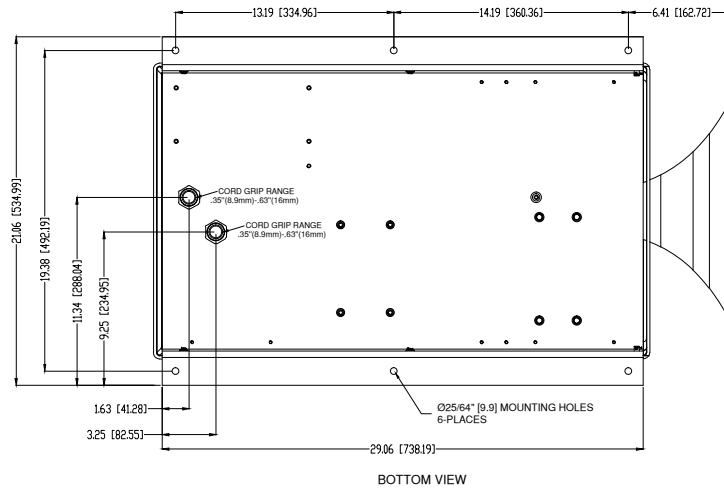
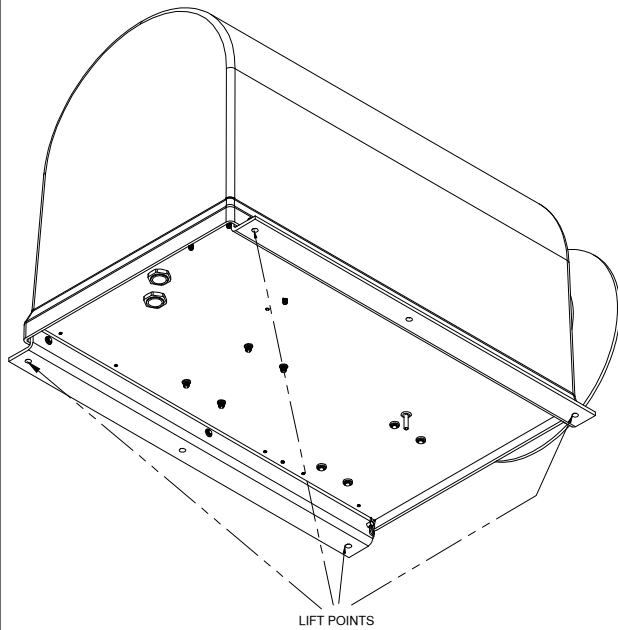
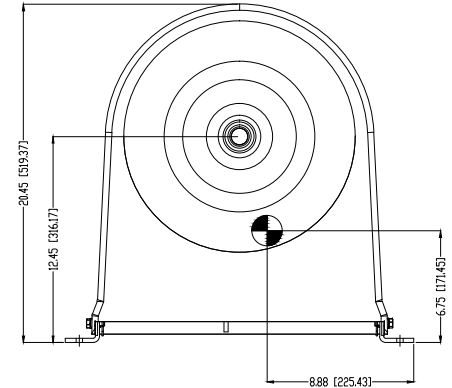
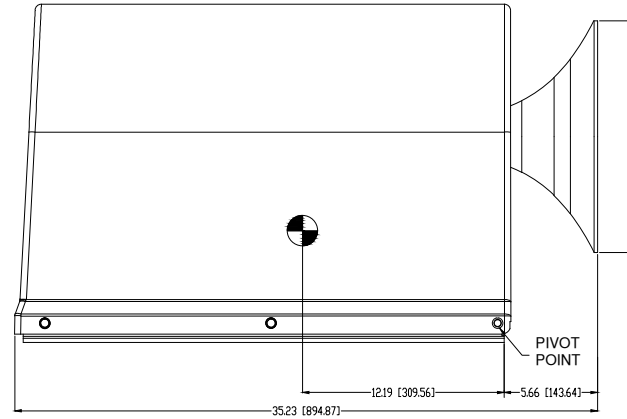
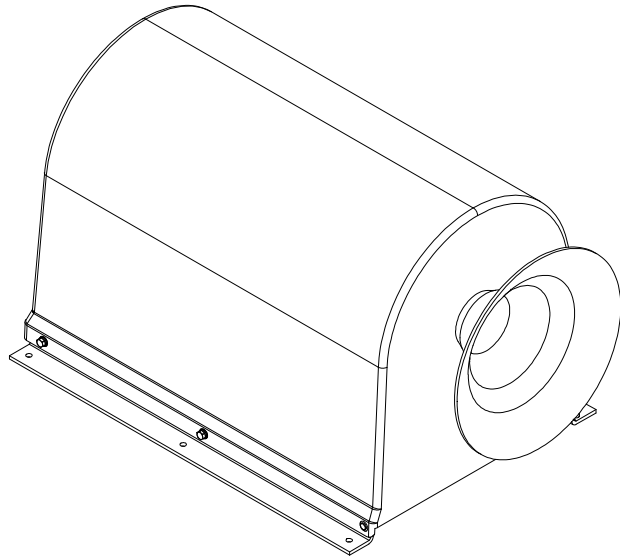


3-7168

REV.	BY	DATE	DESCRIPTION	APP'D.
A	ZN	05/30/19	UPDATED CABLE GLAND ENTRY	EMK
B	ZN	08/23/21	UPDATED CABLE GLAND ENTRY	EMK



**TECHNICAL DATA**

Frequency: 330 Hz  
 Sound Pressure Level (1/3 octave at 1 meter): 138.0 dB  
 Sound Pressure Level (dB(A) @ 1 meter): 147.5 dB

MOTOR 1.5 H.P./1.12 KW, 230/460VAC 60Hz, 3PH, 4.8/2.4 FLA, TEFC

HEATERS (3 COMBINED) 120/240 VAC, 450 TOTAL WATTS,  
 SWITCH ON AT 40°F (4°C) SWITCH OFF AT 60°F (15°C)

ELECTRICAL CONNECTIONS SHOWN ON DRWG. 3-7170

OPERATING TEMPERATURE RANGE: -40°F (-40°C) TO 140°F (60°C)

AIR COMPRESSOR: 1.5 HP, 1800 RPM, ROTARY VANE, OILLESS TYPE

Material: Gel Coated Fiberglass Cover, Alodine Treated Painted Aluminum Base  
 Brass Horn Driver.

Ingress protection: IP 56

☉ = CENTER OF GRAVITY

Net Weight: 106 lbs, 48 kg

Shipping Weight: 120 lbs, 54 kg

Cage Code: 75214

INTERIOR VIEW DRAWING 3-7170  
 WIRING DIAGRAM DRAWING 3-7165  
 PARTS LIST (B) DRAWING 3-7169

**Kahlenberg**

KAHLENBERG INDUSTRIES INC.

TWO RIVERS, WISCONSIN 54241

**OUTLINE DIMENSIONS  
 Z-320-SC HORN 3PH**

DR.	DATE	CKD.	SCALE	DRWG. NO.	REV.
ZJN	08/03/17	EMK	N.T.S.	3-7168	B