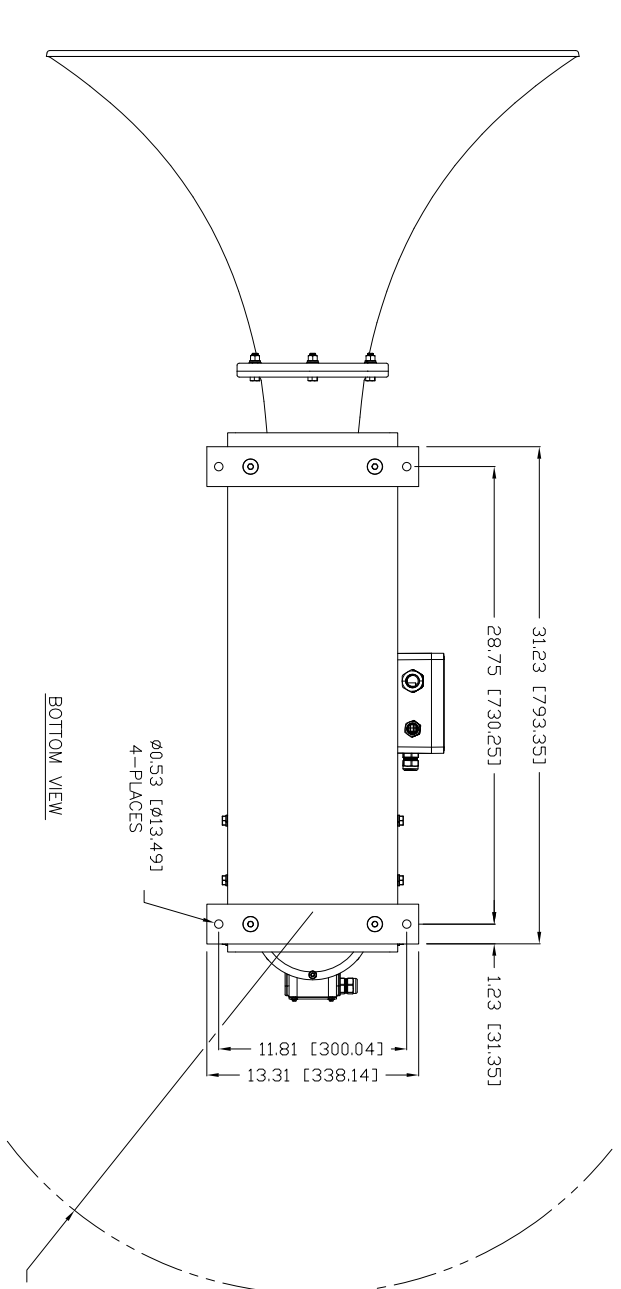
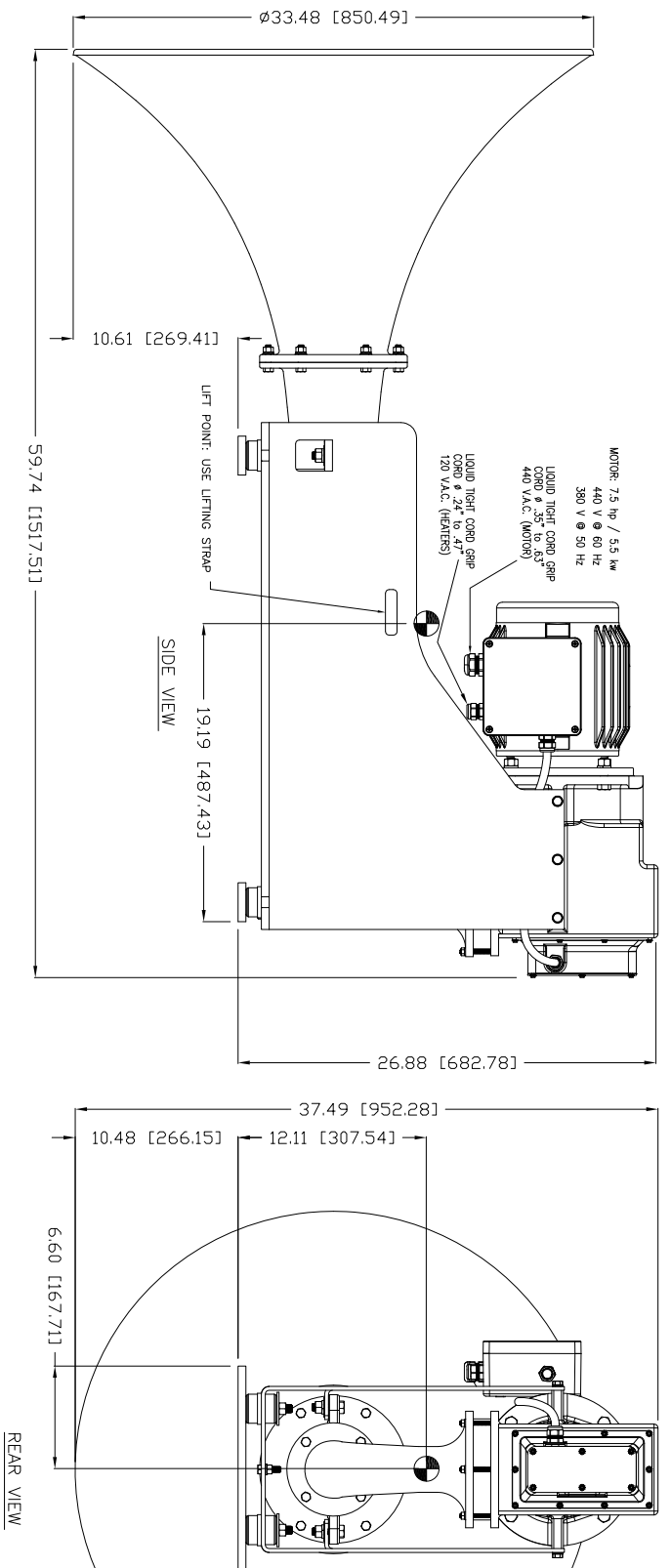


REV.	BY	DATE	DESCRIPTION	APP'D.
A	ZN	12/15/20	UPDATED DRAWING TO REFLECT FINAL DESIGN	EMK
B	ZN	02/23/21	UPDATED NOTES AND INFORMATION	EMK



**MATERIAL:** TYPE 306 CAST ALUMINUM & FIBERGLASS  
MOUNTING BASE A-36 STEEL,  
FASTENERS 316 STAINLESS STEEL

**Control and Heater:** 120/230V [50-60 Hz]  
SPL (Loudness) on Total: 147 dBA @ 1 meter  
SPL (Loudness) 1/3 Octave: > 143 dB @ 1 meter  
Power Consumption: 15 amp on 460/3/60 (other voltages available)  
Audibility: 2 nautical miles (IMO)  
Fundamental Frequency: 90 Hz ± 5 Hz  
Tone (Musical Note): F#2  
Operating Voltage: 460/3/60 (other voltages available)  
Operating Temperature: -40°C to +45°C [-22°F to +113°F]  
Finish: Gray Epoxy Polyamide  
Degree of Protection: IP 56  
Basic Dimension: 1018x635x844mm [40x25x33"]  
Net Weight: 126 kg [277 lbs]

= CENTER OF GRAVITY

**Kahlenberg**  
TWO RIVERS, WISCONSIN 54241

**OUTLINE DIMENSIONS**  
KPH-90C PISTON HORN

DR.	DATE	CKD.	SCALE	DRWG. NO.	REV.
ZN	01/29/14	EMK	N.T.S.	3-6826	B

P.L. 3-6827 & 3-6828