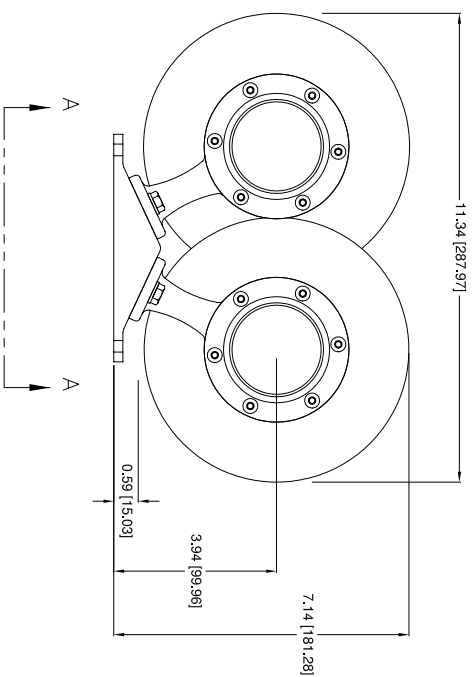


VIEW "A" "A"



**TECHNICAL DATA**

Frequency: 330 Hz & 280 Hz  
 Sound Pressure Level (1/3 octave at 1 meter): 133.2 dB  
 Sound Pressure Level (dB(A) @ 1 meter): 136.0 dB  
 Air Consumption: 18.2 C.F.M. @ 100 P.S.I.  
 Air Pressure Req: 50 to 200 P.S.I.  
 Electric Power: N/A  
 Material: Spun Brass and Cast Bronze  
 Net Weight: 9.00 Lbs.  
 Shipping Weight: 14 Lbs.

**CONFIDENTIAL**

INFORMATION CONTAINED HEREIN IS CONFIDENTIAL. IT IS THE PROPERTY OF KAHLEMBERG INDUSTRIES INC. IT IS TO BE USED SOLELY FOR THE PURPOSE PROVIDED, AND IT IS NOT TO BE DISCLOSED TO OTHERS WITHOUT THE PRIOR WRITTEN CONSENT OF KAHLEMBERG INDUSTRIES INCORPORATED.

© Copyright Kahleberg Ind. Inc. 2010



KAHLEMBERG INDUSTRIES INC. TWO RIVERS, WISCONSIN 54241

**OUTLINE DIMENSIONS  
D-330 AIRHORN**

REV.	DATE	SCALE	DRWG. NO.	REV.
ZJN	03/29/11	EMK	N.T.S.	3-6656

REV.	BY	DATE	DESCRIPTION	APP'D.