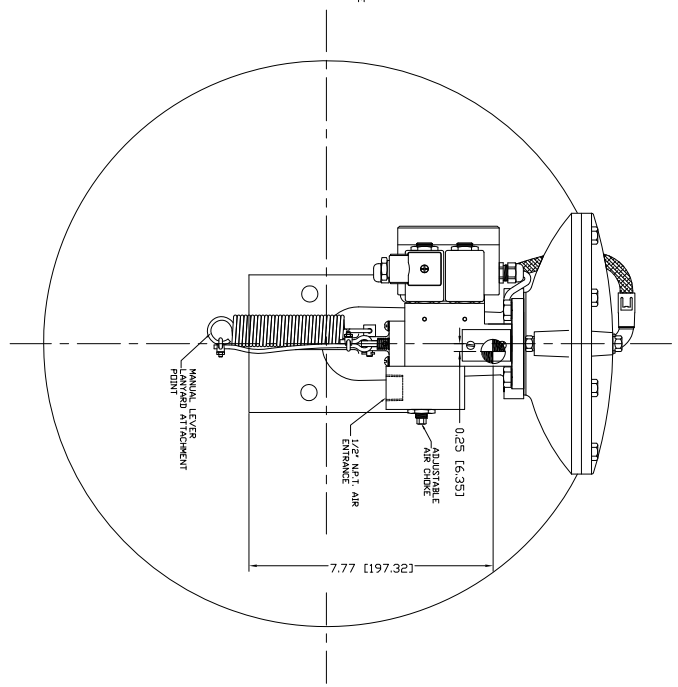
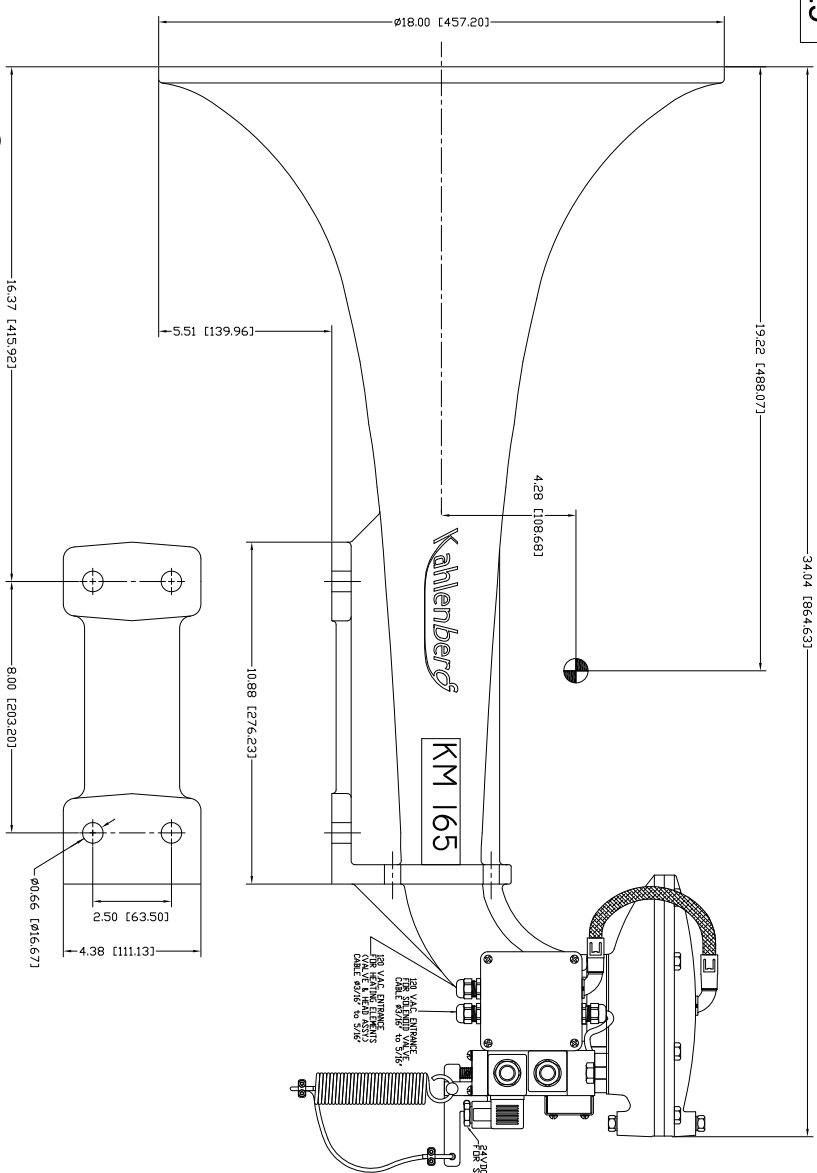


REV.	BY	DATE	DESCRIPTION	APPD.



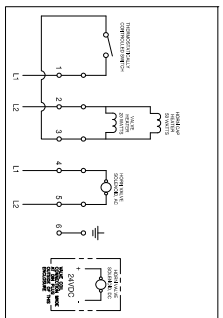
SPECIFICATIONS FOR VESSEL OVER 200 METERS IN LENGTH

MODEL	SOL. LOCK PRESSURE AT 1 METER	FREQUENCY AIR SOL. PRESSURE	OPERATING AIR PRESSURE
165	1.5 BAR	1.5 BAR	1.5 BAR

- 1. START WITH ONE PIPE SIZE LARGER THAN THE TANK OR VESSEL.
- 2. PRESSURE DROP AT HOSE SHOULD NOT EXCEED 15 PSI AT THE WHISTLE BASE WHILE HORNS BLOWING.
- 3. PRESSURE DROP AT HOSE SHOULD NOT EXCEED 15 PSI AT THE WHISTLE BASE WHILE HORNS BLOWING.
- 4. ON LONG UNAVOIDABLE RUNS, AN AIR RECEIVER LOOKING CLOSE TO THE RECEIVER IS USUALLY USED TO RELIEVE THE LINE.
- 5. AIR SIGNAL SHOULD BE TAKEN FROM THE TOP OF TANK OR MAIN SIGNAL LINE.
- 6. ON LONG UNAVOIDABLE RUNS, AN AIR RECEIVER LOOKING CLOSE TO THE RECEIVER IS USUALLY USED TO RELIEVE THE LINE.
- 7. INSTALL SHUT OFF VALVE WHERE NECESSARY TO FACILITATE SERVICES.
- 8. OUTSIDE RUNS EXPOSED TO COOLD WEATHER SHOULD BE INSULATED OR PROTECTED WITH HEATING CABLE.
- 9. BEFORE CONNECTING HORNS, BLOW OUT LINES THOROUGHLY TO REMOVE ANY DEBRIS.
- 10. HOSE PRODUCES EXTREME SOUND OUTPUT. USE EAR PROTECTORS AT ALL TIMES WHEN CHECKING OR TESTING WHISTLES.

GENERAL NOTES

THE CHANGE INTO THE HOSE CAN BE INCREASED FOR THE PURPOSES OF THE ABOVE LISTED SPECIFICATIONS. CONSULT FACTORY WHEN ORDERING SO AIR CHARGE CAN BE PRESER. ACCORDINGLY.



CONVERSION

1 PSI = 0.0689 BAR
1 CFM = 0.2719 L/SEC
1" (inch) = 25.4 MM
1 FT = 0.3048 METERS
1 LB = 0.4535 KG

NET WEIGHT: 37 LBS / 17 KG
 MATERIAL: 316 STAINLESS STEEL
 FINISH: ALUMINUM COMPONENTS ARE ANODIZED TREATED
 INGRESS RATING: IP68
 OPERATING TEMPERATURE RANGE: -40°F C
 CENTER OF GRAVITY

CONFIDENTIAL

INFORMATION CONTAINED HEREIN IS CONFIDENTIAL, IT IS THE PROPERTY OF KAHLENBERG INDUSTRIES INC. IT IS TO BE USED SOLELY FOR THE PURPOSE PROVIDED AND IT IS NOT TO BE DISCLOSED TO OTHERS WITHOUT THE PRIOR WRITTEN CONSENT OF KAHLENBERG INDUSTRIES INCORPORATED.



KAHLENBERG INDUSTRIES INC. TWO RIVERS, WISCONSIN 54241

OUTLINE DIMENSIONS
 MODEL KM-165-DVM-H-120-24 AIRHORN
 WITH DUAL VOLTAGE SOLENOID/MANUAL VALVE

DR.	DATE	CHKD.	SCALE	DRWG. NO.	REV.
ZJM	12/02/10	EMK	N.T.S.	3-66629	