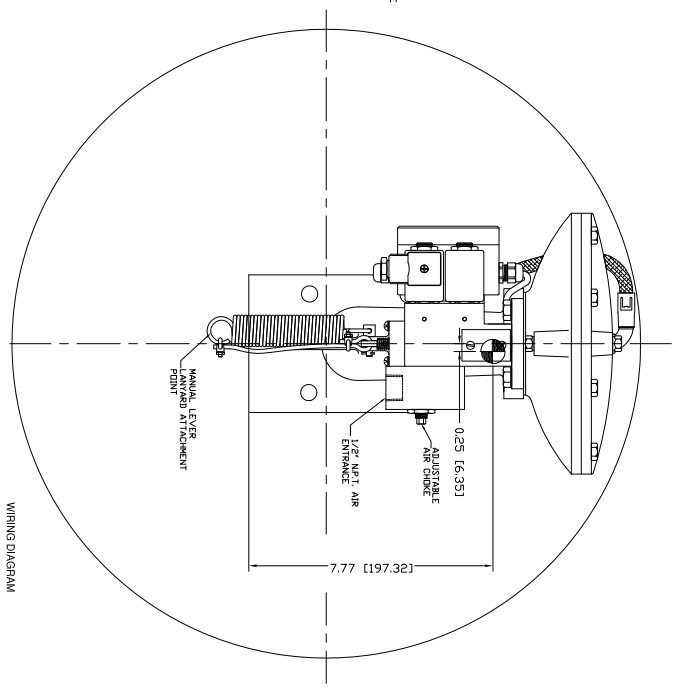
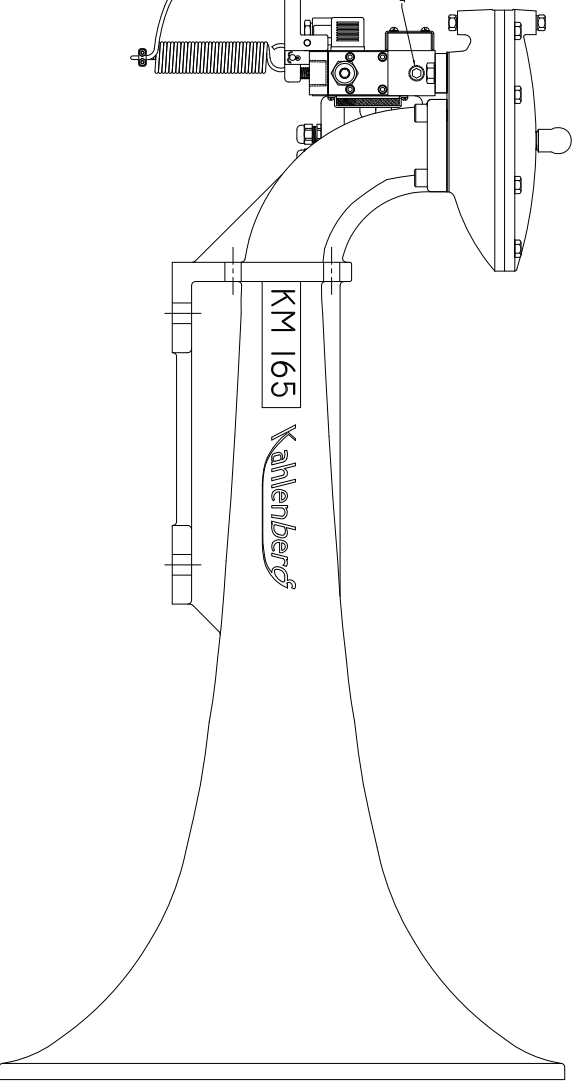
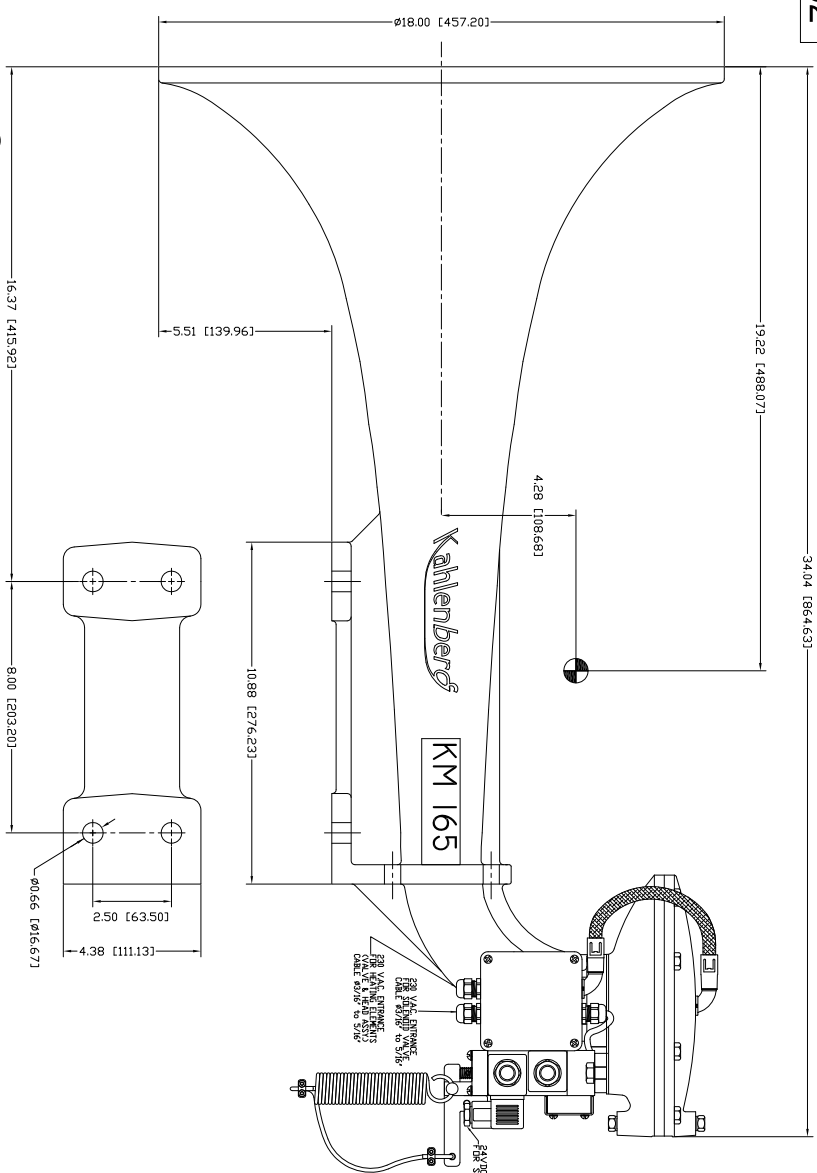


REV.	BY	DATE	DESCRIPTION	APPD.



**SPECIFICATIONS FOR VESSELS OVER 200 METERS IN LENGTH**

MODEL	TOTAL AIR PRESSURE	OPERATING PRESSURE	TEMPERATURE RANGE
KM 165	15.8 BAR	15.8 BAR	-40°C to 200°C

- 1. START WITH ONE PIPE SIZE LARGER THAN THE TANK OR VESSEL.
- 2. PRESSURE DROP AT HOSE SHOULD NOT EXCEED 15% SLAT.
- 3. PRESSURE DROP AT HOSE SHOULD NOT EXCEED 15% SLAT.
- 4. AIR SIGNAL SHOULD BE TAKEN FROM THE TOP OF TANK OR MAIN SIGNAL LINE.
- 5. AIR SIGNAL SHOULD BE TAKEN FROM THE TOP OF TANK OR MAIN SIGNAL LINE.
- 6. ON LONG UNAVOIDABLE RUNS, AN AIR RECEIVER LOCATED CLOSE TO THE RECEIVER IS RECOMMENDED.
- 7. INSTALL SHUT OFF VALVE WHERE NECESSARY TO FACILITATE SERVICES.
- 8. OUTSIDE RUNS EXPOSED TO COOLD WEATHER SHOULD BE INSULATED OR PROTECTED WITH HEATING CABLE.
- 9. BEFORE CONNECTING HOSE, BLOW OUT LINES THOROUGHLY TO REMOVE DEBRIS.
- 10. HOSE PRODUCES EXTREME SOUND OUTPUT. USE EAR PROTECTORS AT ALL TIMES WHEN CHECKING OR TESTING WHISTLES.

**GENERAL NOTES**

THE CHANGE INTO THE HOSE CAN BE INCREASED FOR THE HOSE. CONSULT FACTORY WHEN ORDERING SO AIR CHOKER CAN BE PRESET ACCORDINGLY.

1. START WITH ONE PIPE SIZE LARGER THAN THE TANK OR VESSEL.

2. PRESSURE DROP AT HOSE SHOULD NOT EXCEED 15% SLAT.

3. PRESSURE DROP AT HOSE SHOULD NOT EXCEED 15% SLAT.

4. AIR SIGNAL SHOULD BE TAKEN FROM THE TOP OF TANK OR MAIN SIGNAL LINE.

5. AIR SIGNAL SHOULD BE TAKEN FROM THE TOP OF TANK OR MAIN SIGNAL LINE.

6. ON LONG UNAVOIDABLE RUNS, AN AIR RECEIVER LOCATED CLOSE TO THE RECEIVER IS RECOMMENDED.

7. INSTALL SHUT OFF VALVE WHERE NECESSARY TO FACILITATE SERVICES.

8. OUTSIDE RUNS EXPOSED TO COOLD WEATHER SHOULD BE INSULATED OR PROTECTED WITH HEATING CABLE.

9. BEFORE CONNECTING HOSE, BLOW OUT LINES THOROUGHLY TO REMOVE DEBRIS.

10. HOSE PRODUCES EXTREME SOUND OUTPUT. USE EAR PROTECTORS AT ALL TIMES WHEN CHECKING OR TESTING WHISTLES.

CAGE: 75214  
PARTS LIST: 3-6603

**CONFIDENTIAL**

INFORMATION CONTAINED HEREIN IS CONFIDENTIAL, IT IS THE PROPERTY OF KAHLENBERG INDUSTRIES INC. IT IS TO BE USED SOLELY FOR THE PURPOSE PROVIDED AND IT IS NOT TO BE DISCLOSED TO OTHERS WITHOUT THE PRIOR WRITTEN CONSENT OF KAHLENBERG INDUSTRIES INCORPORATED.



KAHLENBERG INDUSTRIES INC. TWO RIVERS, WISCONSIN 54241

**OUTLINE DIMENSIONS**  
MODEL KM-165-DVM-H-230-24 AIRHORN WITH DUAL VOLTAGE SOLENOID/MANUAL VALVE

DR.	DATE	CHKD.	SCALE	DRWG. NO.	REV.
ZJM	12/01/10	EMK	N.T.S.	3-6602	