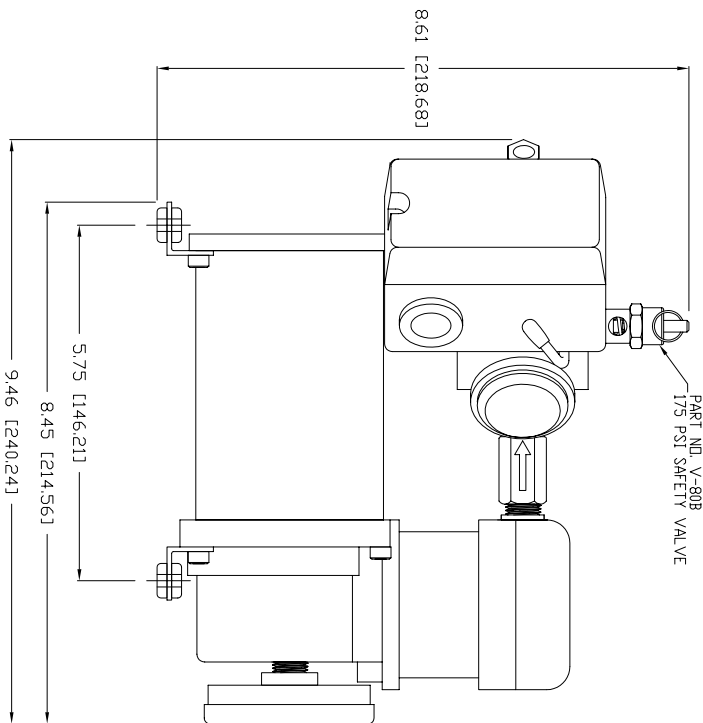
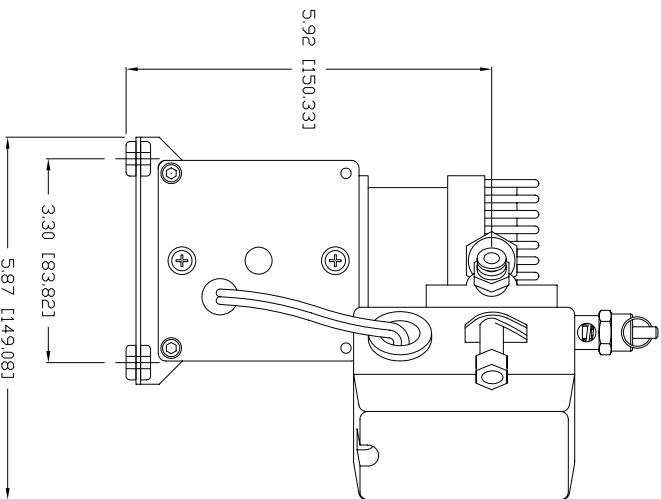
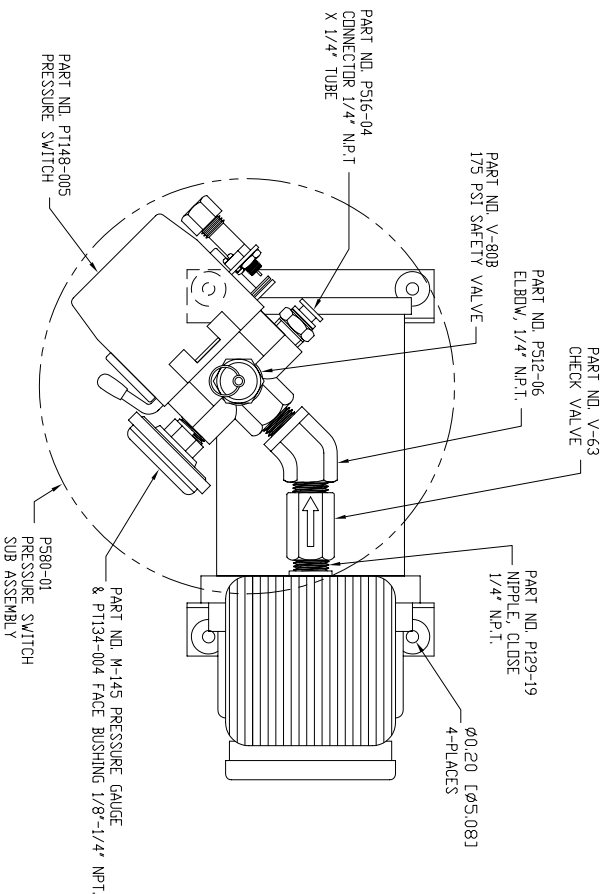


P569-01A SPECIFICATIONS

12 VDC
 CFM @ P.S.I.: 0.85 @ 100 P.S.I.
 MAX PRESSURE: 150 P.S.I.
 CURRENT @ RATED LOAD (AMPS): 21
 MAX. AMBIENT TEMPERATURE: 158°F, 70°C
 MIN. AMBIENT TEMPERATURE: -40°F, -4.4°C
 MAX. DUTY CYCLE: 33%
 WEIGHT: 7.91 LBS./3.59 KG.
 (PUMP ALONE P449-15)

P569-02A SPECIFICATIONS

24 VDC
 CFM @ P.S.I.: 0.99 @ 100 P.S.I.
 MAX PRESSURE: 150 P.S.I.
 CURRENT AT RATED LOAD (AMPS): 12
 MAX. AMBIENT TEMPERATURE: 158°F, 70°C
 MIN. AMBIENT TEMPERATURE: -40°F, -4.4°C
 MAX. DUTY CYCLE: 33%
 WEIGHT: 7.91 LBS./3.59 KG.
 (PUMP ALONE P449-16)



REV.	BY	DATE	DESCRIPTION	APP'D.
A	ZN	04/07/10	ADDED V-63 CHECK VALVE	EMK
B	ZN	04/27/10	5.75 DIMENSION WAS 5.63	EMK
C	ZN	11/09/10	PRESSURE GAUGE WAS M-143, ADDED PT134-004 BUSHING	EMK

CONFIDENTIAL

INFORMATION CONTAINED HEREIN IS CONFIDENTIAL. IT IS THE PROPERTY OF KAHLBERG INDUSTRIES INC. IT IS TO BE USED SOLELY FOR THE PURPOSE PROVIDED AND IS NOT TO BE DISCLOSED TO OTHERS WITHOUT THE PRIOR WRITTEN CONSENT OF KAHLBERG INDUSTRIES INCORPORATED.

KAHLBERG INDUSTRIES INC.

TWO RIVERS, WISCONSIN 54241

OUTLINE DIMENSIONS

P569-01A & P569-02A
 COMPRESSOR PUMP ASSEMBLIES

DR.	DATE	CND.	SCALE	DRWG. NO.	REV.
ZJN	03/18/10	EMK	N.T.S.	3-6577	C