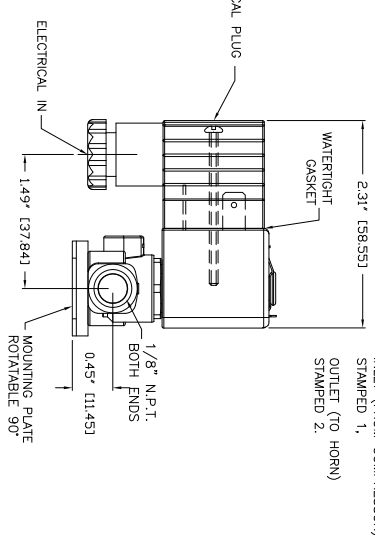
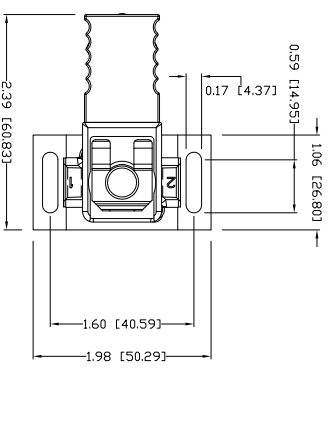
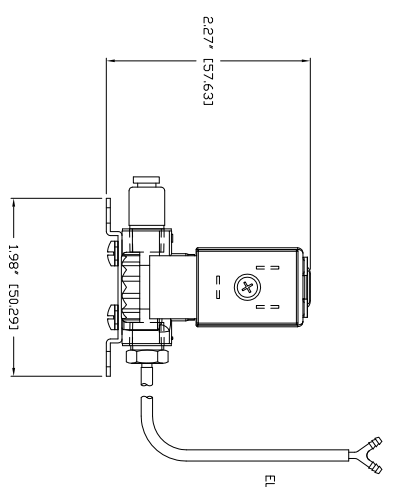


NO.	PART NO.	DESCRIPTION	QTY.
1	V-69-P	PLUG, SOLENOID VALVE	1
2	P516-19	CONNECTOR, MALE, 1/8" X 1/8" O.D. TUBE	1
3	V-69	SOLENOID VALVE WITH COIL, 1/8" NPT	1
4	P516-36	CONNECTOR, 1/8" NPT X 1/8" I.D. TUBE, BARBED	1
5	PT130-14	TUBING, PVC, CLEAR, 1/8" I.D.	3'
6	P516-34	CONNECTOR, "F" 1/8" I.D. TUBE, BARBED	1
7	V-69-B	MOUNTING BRACKET	1
8	W100-004ST	WASHER, FLAT M3	2
9	W078-038ST	SCREW, PAN HD. M3 X 8MM X 15MM PITCH	2
10	V-69-R	RETAINING SPRING	1



REV.	BY	DATE	DESCRIPTION	APP'D.
A	ZN	02/15/10	ITEM 4 WAS P516-20 ITEM 5 WAS PT130-11 ITEM 6 WAS P516-34	EMK
B	ZN	01/15/13	ITEM 1 WAS V-170-P ITEM 2 WAS P516-18 ITEM 3 WAS V-170 ITEM 4 WAS P516-35 ADDED ITEMS 7, 8 & 9	EMK
C	ZN	08/23/16	UPDATED FOR NEW VALVE	EMK

COIL VOLTAGES
 12 V.D.C. 6.9 WATTS
 24 V.D.C. 6.9 WATTS
 120 V.A.C. (50/60HZ) 6.9 WATTS

Kahlenberg
 TWO RIVERS, WI. U.S.A.

KAHLENBERG INDUSTRIES, INC.

OUTLINE DIMENSIONS
 & PARTS LIST FOR
 V-170-K VALVE KIT

DR.	DATE	CKD.	SCALE	DRWG. NO.	REV.
ZJN	04/21/09	EMK	N.T.S.	3-6510	C