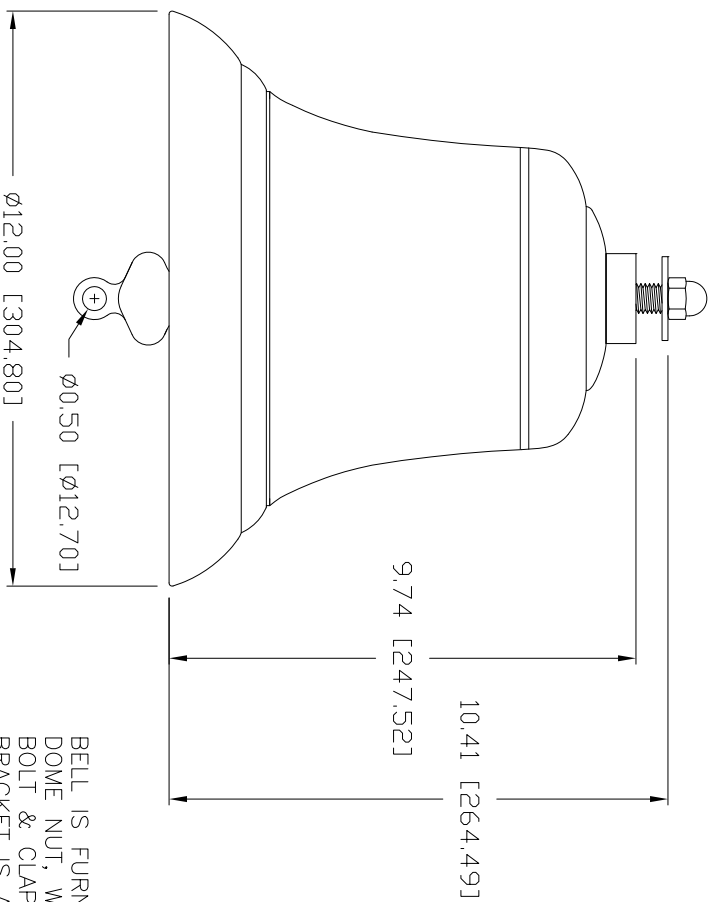
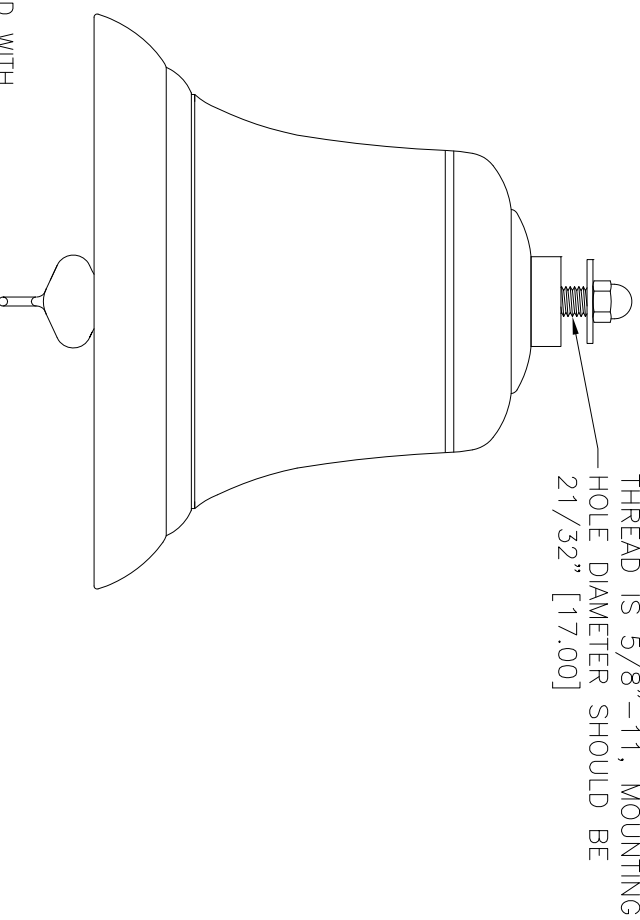


Conforming to International Maritime Regulations
For Vessels Over 20 Meters in Length.

REV.	BY	DATE	DESCRIPTION	APP'D.
A	EK	03/16/20	NET WEIGHT WAS 54 LBS.	EK




BELL IS FURNISHED WITH
DOME NUT, WASHER, MOUNTING
BOLT & CLAPPER. OPTIONAL
BRACKET IS ALSO AVAILABLE
AS PART P449-04.



TECHNICAL DATA

Material: Cast Bell Bronze
Net Weight: BELL ONLY - 38 lbs / 17 kg
Shipping Weight Boxed: 41 lbs / 18.6 kg


 KAHLENBERG BROS. CO. TWO RIVERS, WI. U.S.A.

**OUTLINE DIMENSIONS
12" CLASSIC BELL, RIGID MOUNT,
WITHOUT BRACKET ASSEMBLY**

DATE	APPROVED	DRWG. NO.	REV.
10/14/08	EMK	3-6491	A