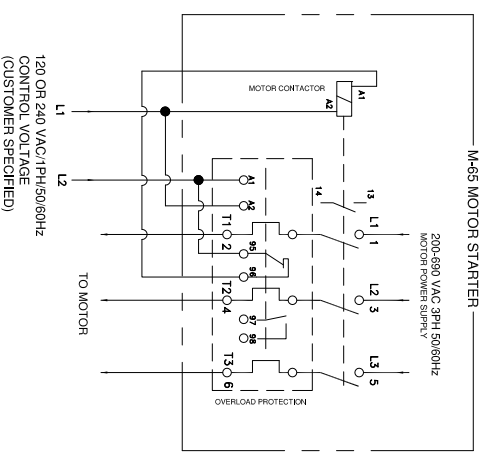
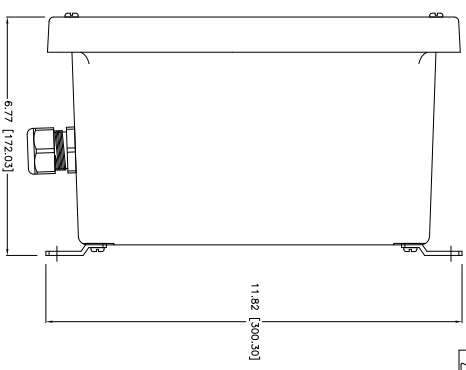
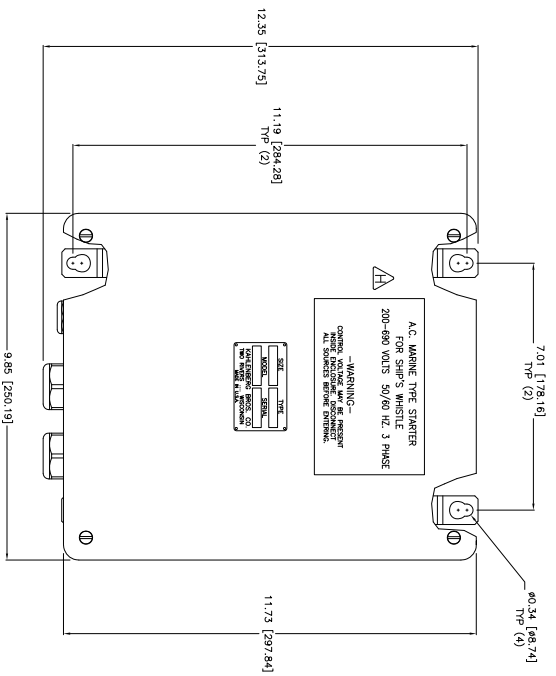
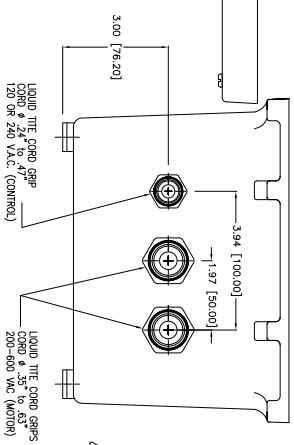


REV.	BY	DATE	DESCRIPTION	APP'D
Δ	ZN	01/03/07	OVERLOAD WAS 4-22 AMP. CONTACTOR WAS 22 AMP	E/MK
Δ	ZN	07/30/07	ADDED OVERLOAD PRE-SET NOTE	E/MK
Δ	ZN	02/07/08	ADDED 240 VAC COIL OPTION & WIRING DIAGRAM NO. 3	E/MK
Δ	ZN	03/21/11	PRESET AMP SETTING WAS 15. DELAY WAS 0 SECONDS	E/MK
Δ	ZN	07/09/12	REMOVED WIRING DIAGRAM REFERENCES	E/MK
Δ	ZN	01/11/13	CHANGED NAMEPLATE TO READ "SHIPS WHISTLE"	E/MK
Δ	ZN	08/30/16	ADDED LIQUID-TITE CORB GRIPS, RAL COLOR & IP66 RATING	E/MK
Δ	ZN	11/14/16	CHANGED MAXIMUM VOLTAGE TO 690 VAC. ADDED CONTACTOR VOLTAGE RATINGS	E/MK



MODEL: M-65 MOTOR STARTER

- 7.5 H.P. 200-600 V.A.C.
- ELECTRONIC OVERLOAD 8-40 amp
- 120 or 240 VAC COIL (AS SPECIFIED)



- 1 NO./NC AUXILIARY CONTACT
- M-65 CONTROLLER OVERLOAD IS PRE-SET TO TRIP AT 10 AMPS
- 20 SECOND DELAY
- STRONG MOLDED FIBERGLASS REINFORCED POLYESTER ENCLOSURE
- COLOR: RAL 7035
- UV STABILIZED FOR OUTDOOR USE
- UL 508 LISTED, TYPES 1, 2, 3, 3R, 4, 4X, 12, 13
- IP66 RATED
- CSA CERTIFIED LR 89590 FOR USE WITH INDUSTRIAL EQU. CSA ENC. 1, 2, 3, 4, 4X, 12, 13
- MEETS NEMA/EMAC TYPE 4, 4X, 12 SPECIFICATIONS
- NET WT. 7 LBS. (3.17KG)

CONFIDENTIAL

INFORMATION CONTAINED HEREIN IS CONFIDENTIAL. IT IS THE PROPERTY OF KAHLENBERG INDUSTRIES INC. IT IS TO BE USED SOLELY FOR THE PURPOSE PROVIDED, AND IT IS NOT TO BE DISCLOSED TO OTHERS WITHOUT THE PRIOR WRITTEN CONSENT OF KAHLENBERG INDUSTRIES INCORPORATED.

Kahlenberg
 TWO RIVERS, WISCONSIN 53241

OUTLINE DIMENSIONS
 M-65
 MOTOR STARTER

DR.	DATE	SCALE	DRAWG. NO.	REV.
ZJN	12/05/06	E/MK	N.T.S.	3-6422
				H

© Copyright Kahlenberg Ind. Inc. 2010