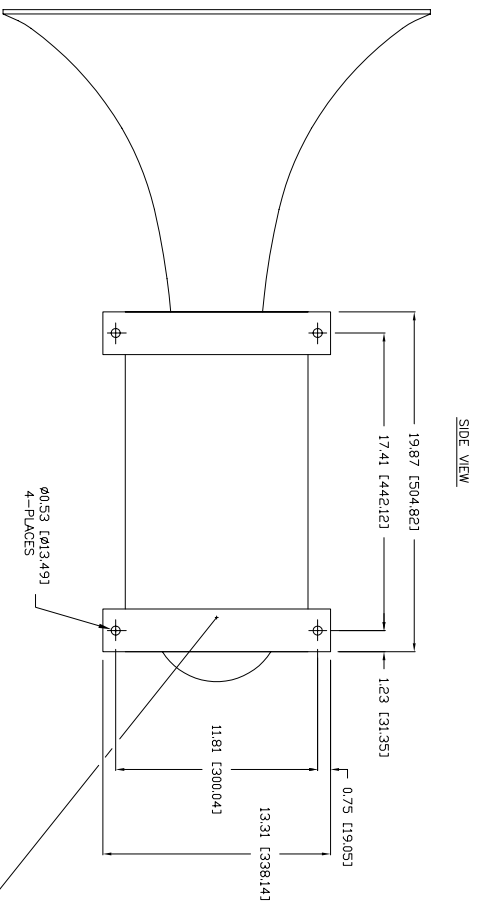
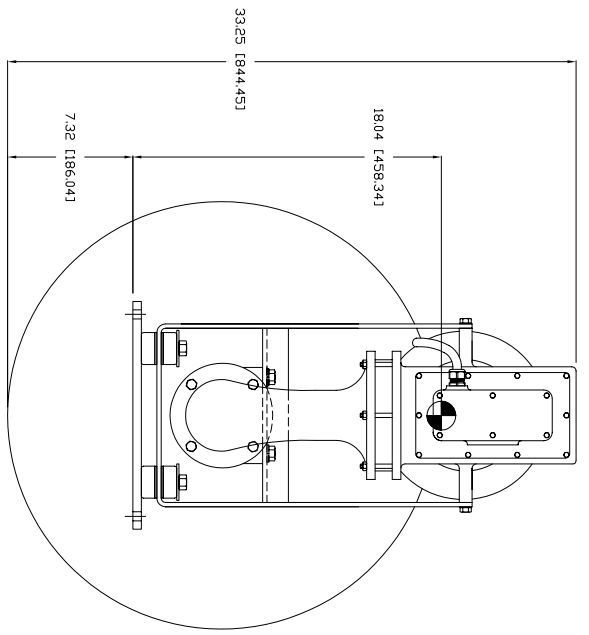
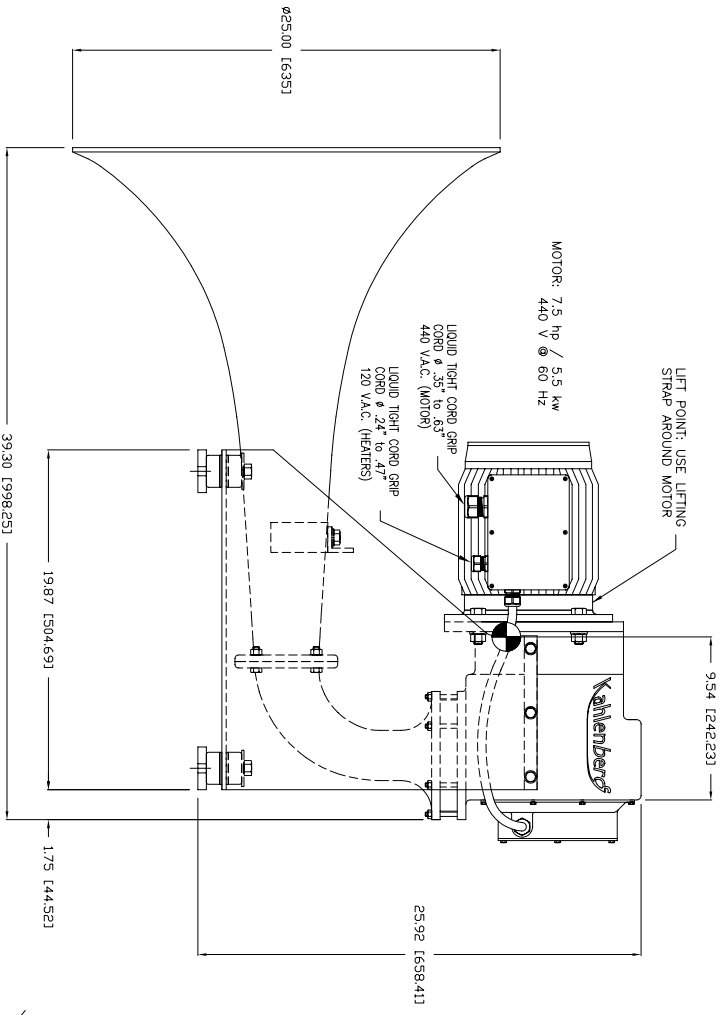



REV.	BY	DATE	DESCRIPTION	APP'D.
A	ZN	01/18/08	CHANGED MOTOR ELECTRICAL ENCLOSURE, ADDED CABLE & COND GRPS FOR HEATERS	EMK
B	ZN	01/18/08	REVISED TO STATE 440/120 60Hz ONLY	EMK



MATERIAL: TYPE 356 CAST ALUMINUM,  
MOUNTING BASE A-36 STEEL,  
FASTENERS 316 STAINLESS STEEL  
FINISH: GREY EPOXY SILOXANE  
EST. WEIGHT 220 Lbs. 100 Kg.  
S.P.L. Loudness: 147 dbA @ 1 Meter, 143 db (1/3 Octave Band) @ 1 Meter.  
Fundamental Frequency: 130 Hz



**Kahlenberg**  
THROATERS, WISCONSIN, USA

OUTLINE DIMENSIONS

KPH-130C PISTON HORN  
130 HZ, 440/120 60HZ

DR.	DATE	CKD.	SCALE	DRWG. NO.	REV.
ZJN	10/24/05	EMK	N.T.S.	3-6383	B