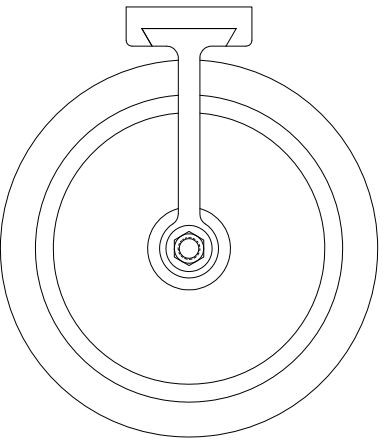
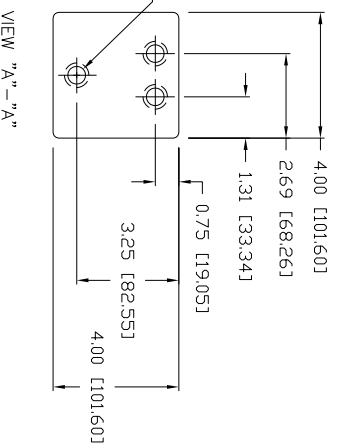


Conforming to International Maritime Regulations  
For Vessels Over 20 Meters in Length.

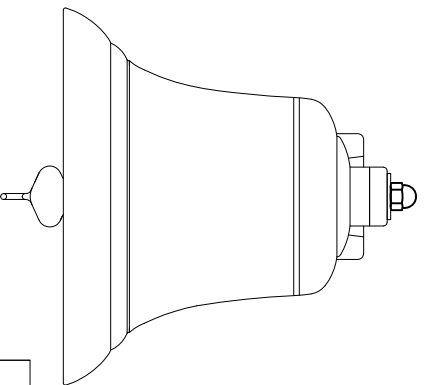
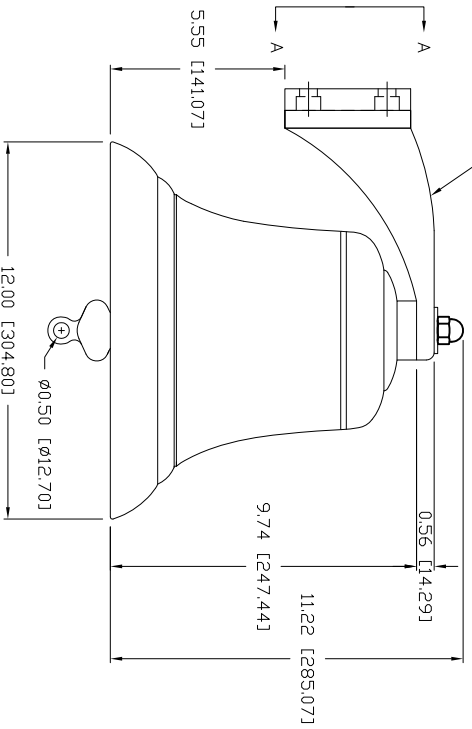
REV.	BY	DATE	DESCRIPTION	APP'D.
A	ZN	05/24/10	P499-04 WAS P499-02	EMK



ø9/16" [14.29]  
(3)-PLACES FOR  
MOUNTING BOLTS.  
BOLTS ARE HELD  
CAPTIVE INSIDE OF  
THE MOUNTING  
BRACKET.



OPTIONAL BRACKET  
P499-04



BELL IS FURNISHED WITH  
NUTS AND WASHERS TO  
MATCH. OPTIONAL BRACKET  
IS ALSO AVAILABLE AS PART  
#P499-04

**TECHNICAL DATA**

Material: Cast Bronze  
Net Weight: 53 Lbs.  
Shipping Weight: 68 Lbs.

Price: \$ \_\_\_\_\_ U.S.D. Net. Ea.  
(Valid for 60 days, F.O.B. Two Rivers, WI. U.S.A.)

**Kahlenberg's**  
KAHLENBERG BROS. CO. TWO RIVERS, WI. U.S.A.

**OUTLINE DIMENSIONS  
12" CLASSIC BELL  
WITH BULKHEAD BRACKET**

DATE	DRWG. NO.	REV.
01/21/04	3-6265	A