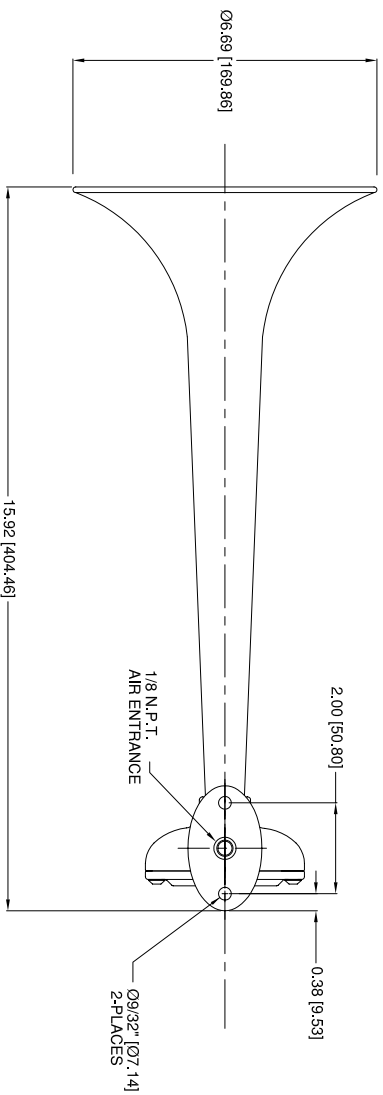
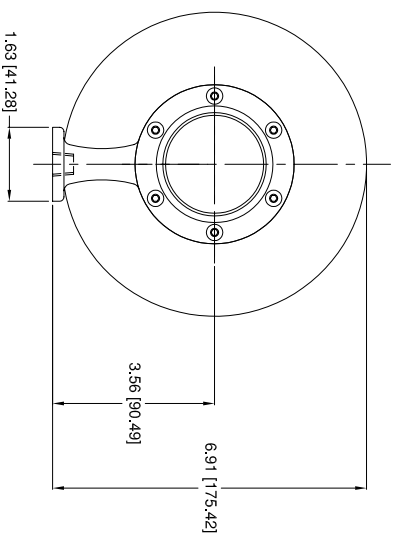
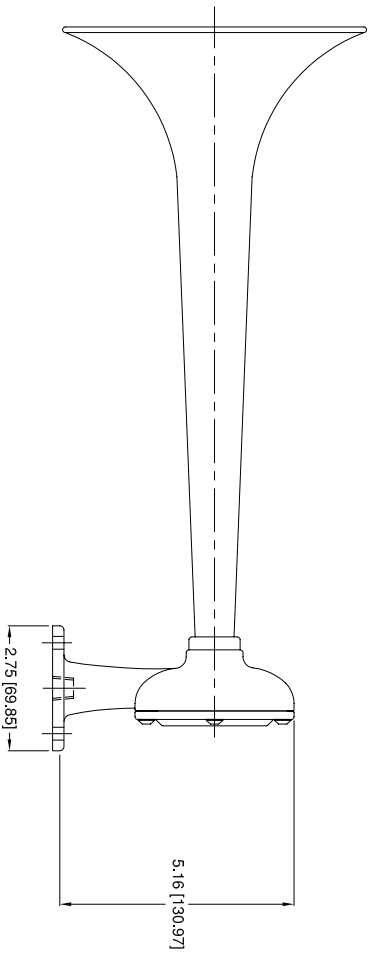


REV.	BY	DATE	DESCRIPTION	APP'D.
A	ZJN	03/01/11	REVISED WITH UPDATED BODY/STAND & COVER	EMK




TECHNICAL DATA

Frequency: 322 Hz
 Sound Pressure Level (dB(A) @ 1 meter): 131.0 dB
 Sound Pressure Level (1/3 octave at 1 meter): 122.9 dB
 Air Consumption: 9 C.F.M. @ 100 P.S.I.
 Air Pressure Req: 50 to 200 P.S.I.
 Electric Power: N/A
 Material: Spun Brass and Cast Bronze
 Net Weight: 4.75 Lbs.
 Shipping Weight: 9 Lbs.

CONFIDENTIAL

INFORMATION CONTAINED HEREIN IS CONFIDENTIAL, IT IS THE PROPERTY OF KAHLBERG INDUSTRIES INC. IT IS TO BE USED SOLELY FOR THE PURPOSE PROVIDED, AND IT IS NOT TO BE DISCLOSED TO OTHERS WITHOUT THE PRIOR WRITTEN CONSENT OF KAHLBERG INDUSTRIES INCORPORATED.

© CopyRight Kahlberg Ind. Inc. 2010



KAHLBERG INDUSTRIES INC.
TWO RIVERS, WISCONSIN 54241

OUTLINE DIMENSIONS

S-0A AIRHORN

DR.	DATE	CKD.	SCALE	DRWG. NO.	REV.
ZJN	06/12/03	EMK	N.T.S.	3-6236	A