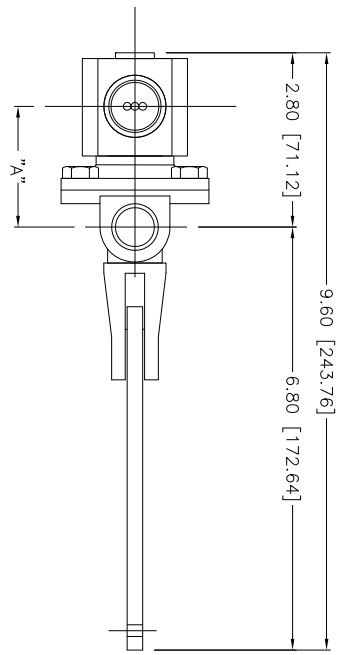


REV.	BY	DATE	DESCRIPTION	APP'D.
A	ZN	03/31/14	ADDED WIRING DIAGRAM	EMK

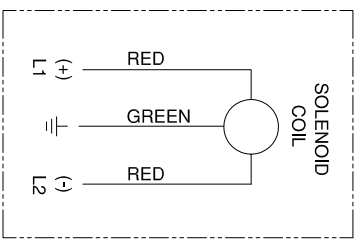
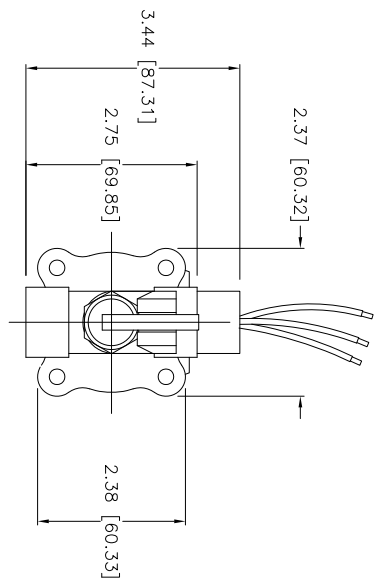
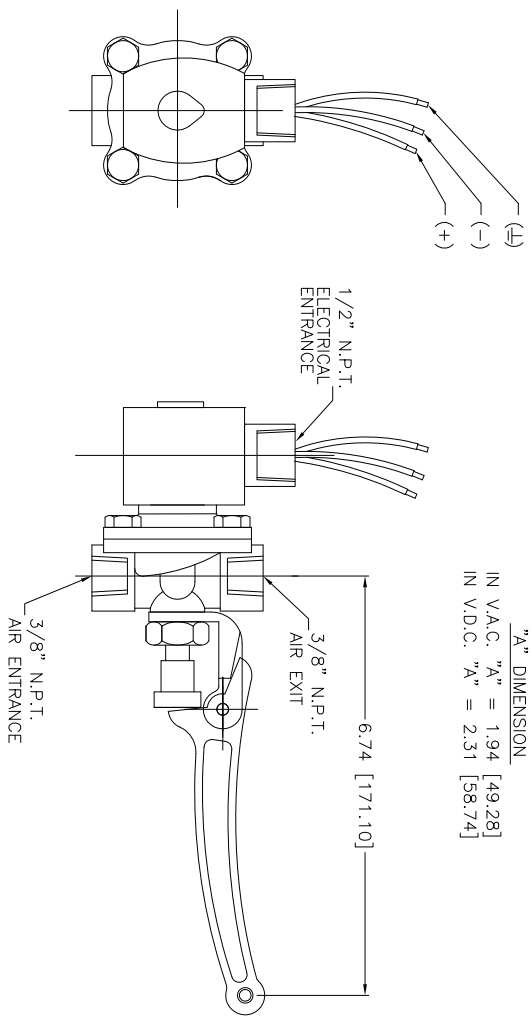



"A" DIMENSION  
 IN V.A.C. "A" = 1.94 [49.28]  
 IN V.D.C. "A" = 2.31 [58.74]

VOLTAGE	AMPS
220 V.A.C.	0.05
24 V.D.C.	0.50

CURRENT REQUIREMENTS  
 FOR SOLENOID VALVE

MATERIAL: CAST BRONZE LEVER & YOKE,  
 CAST BRASS VALVE BODY



  
 KAHLBERG BROS. CO. TWO RIVERS, WI. U.S.A.

P.L. 3-5953

OUTLINE DIMENSIONS  
 V-150AL MANUAL/SOLENOID VALVE  
 VA/35952/(VOLT)/NF

DR.	DATE	CKD.	SCALE	DRWG. NO.	REV.
ZJN	05/16/01		N.T.S.	3-5952	A