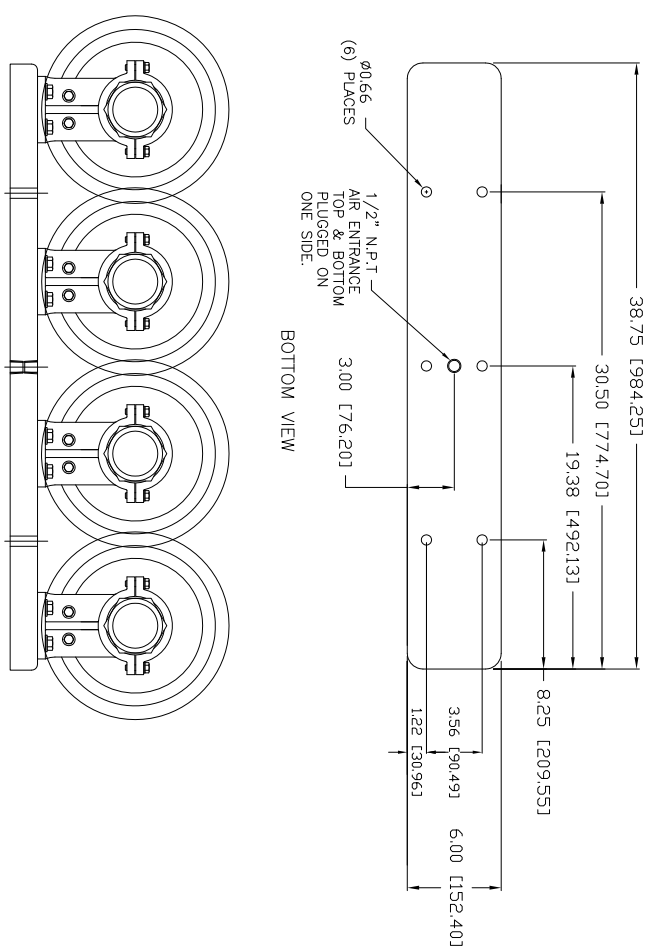
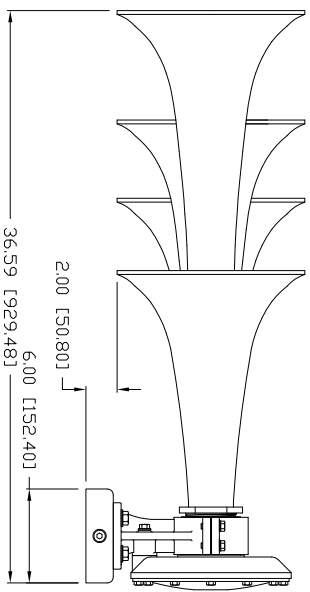
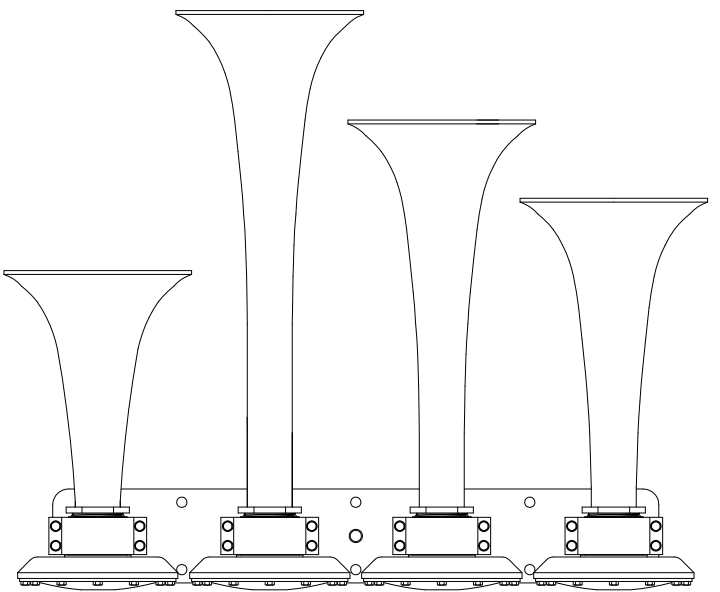


REV.	BY	DATE	DESCRIPTION	APP'D.
A	ZN	02/12/18	UPDATED MOUNTING HOLE LOCATIONS	EMK

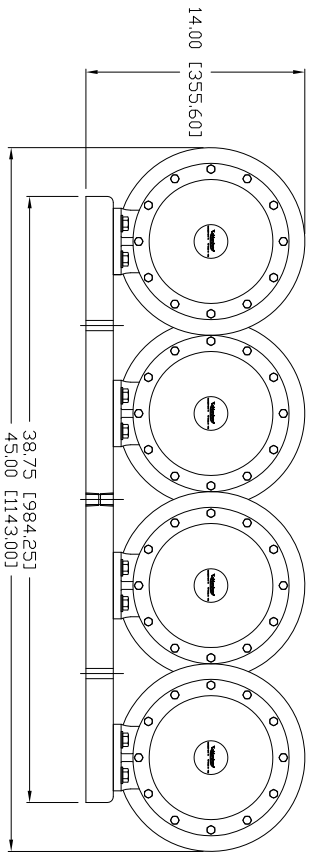


TOP VIEW

SIDE VIEW

FRONT VIEW

REAR VIEW



TECHNICAL DATA

Frequency: 106, 134, 171, & 220 Hz
 Sound Pressure Level (dB(A) at 1 meter): 144dB
 Sound Pressure Level (1/3 octave at 1 meter): 138dB
 Air Consumption: approx. 237 & C.F.M. @ 150 P.S.I.
 Air Pressure Req: 100 To 250 P.S.I.
 Electric Power: Any standard A.C. or D.C. voltage
 Material: Cast Bronze & aluminum
 Finish: Chrome plate or white powdercoat
 Net Weight: 280 lbs., 127 Kg
 Shipping Weight: 402 lbs., 183 Kg

Kahlenberg

KAHLENBERG INDUSTRIES INC. TWO RIVERS, WI, U.S.A.

OUTLINE DIMENSIONS

MODEL Q-4 FIGURE 474 AIR HORN

DR.	DATE	CKD.	SCALE	DRWG. NO.	REV.
ZJN	05/10/01	EMK	N.T.S.	3-5816	A