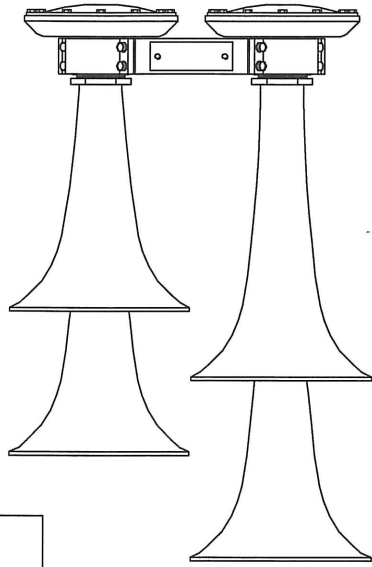
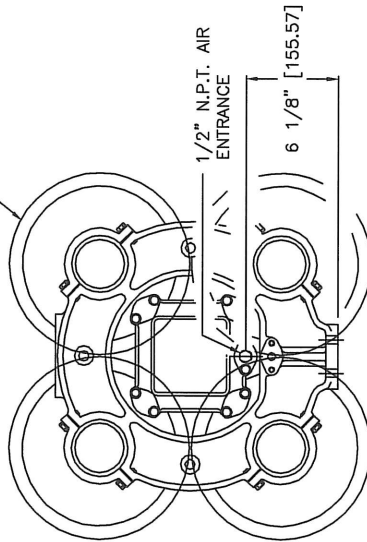


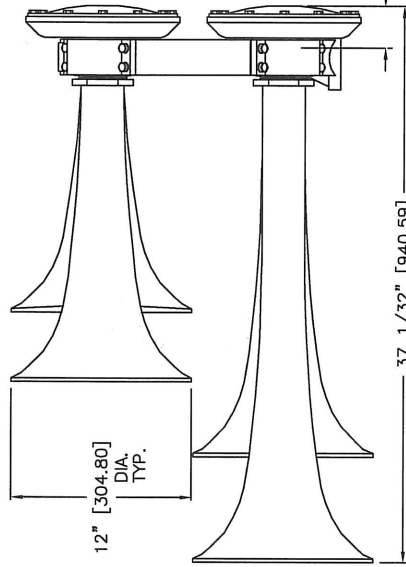
*Conforming to International Maritime Regulations  
For Vessels 75 to 200 Meters in Length.*



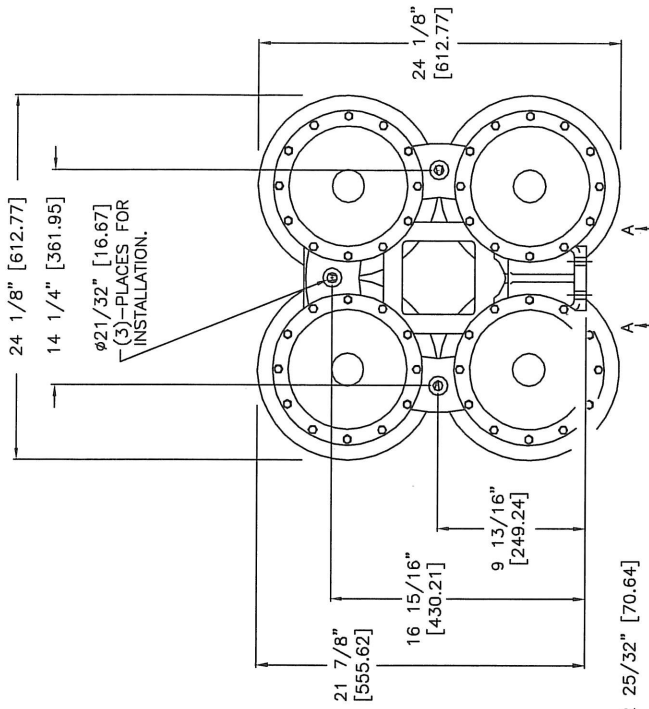
TOP VIEW



FRONT VIEW



SIDE VIEW



REAR VIEW

**TECHNICAL DATA**

Frequency: 106, 134, 171, & 220 Hz  
 Sound Pressure Level (dB(A) at 1 meter): 144dB  
 Sound Pressure Level (1/3 octave at 1 meter): 138dB  
 Air Consumption: appx. 237.6 C.F.M. @ 150 P.S.I.  
 Air Pressure Req: 100 To 250 P.S.I.  
 Electric Power: Any Standard A.C. or D.C. voltage  
 Material: Cast Bronze & cast aluminum  
 Finish: White powdercoat  
 Net Weight: 280 lbs.  
 Shipping Weight: 402 lbs.

Price: \$ \_\_\_\_\_ U.S.D. Net. Ea.  
 (Valid for 60 days, F.O.B. Two Rivers, WI. U.S.A.)

**Kahlenberg's**

KAHLENBERG BROS. CO. TWO RIVERS, WI. U.S.A.

**OUTLINE DIMENSIONS  
MODEL Q-4, FIG. 414-C  
AIRHORN**

DATE

DRWG. NO.

REV.

05/11/01

3-5204

A EMK

Ø17/32" [13.49]  
 (4)-PLACES ON A  
 3 1/8" DIA. B.C.



VIEW "A"- "A"

PROJECTORS IN THIS  
 VIEW ARE DEPICTED  
 WITH PHANTOM  
 LINES.