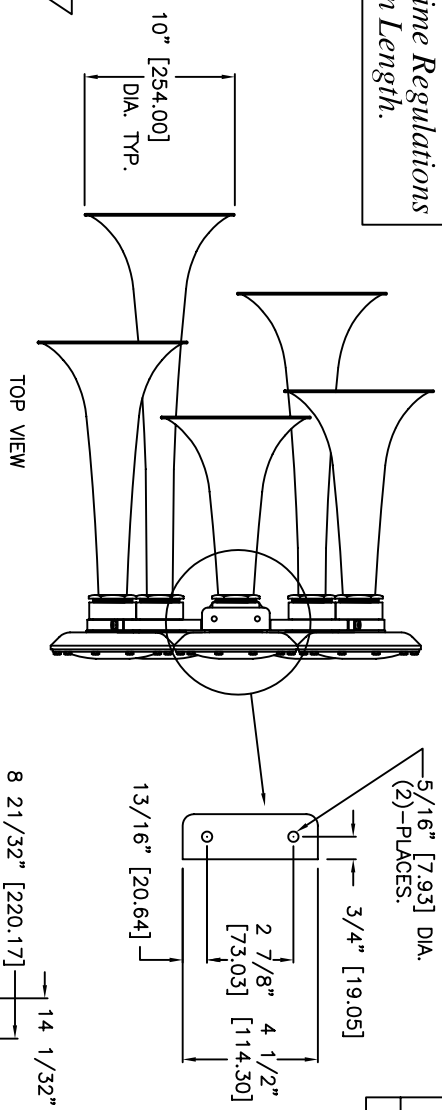


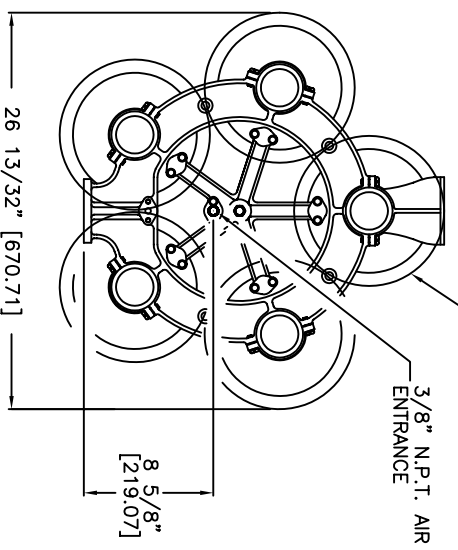
Conforming to International Maritime Regulations
For Vessels Less Than 75 Meters in Length.

REV.	BY	DATE	DESCRIPTION	APP'D.
A	ZJN	2/29/08	Weight Change	EMK

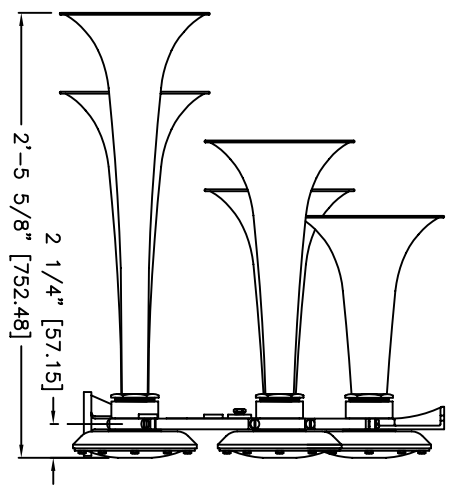
PROJECTORS IN THIS VIEW ARE DEPICTED WITH PHANTOM LINES.



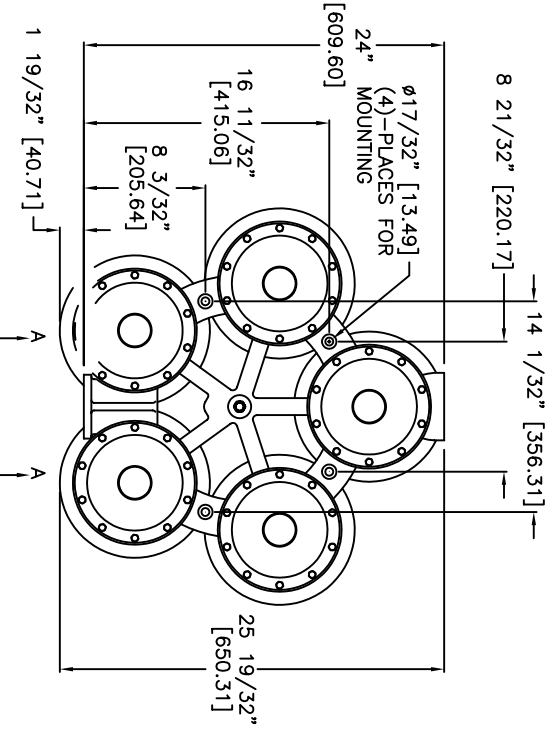
TOP VIEW



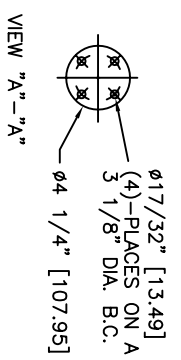
FRONT VIEW



SIDE VIEW



REAR VIEW




VIEW "A"- "A"

TECHNICAL DATA

Frequency: 142, 174, 208, 247, & 283 Hz
 Sound Pressure Level (dB(A) at 1 meter): 142 dB
 Sound Pressure Level (1/3 octave at 1 meter): 136 dB
 Air Consumption: appx. 126.6 C.F.M. @ 150 P.S.I.
 Air Pressure Req: 100 To 250 P.S.I.
 Electric Power: Any Standard A.C. or D.C. voltage
 Material: Spun Brass & Cast Bronze
 Net Weight: 114 lbs.
 Shipping Weight: 225 lbs.

Price: \$ _____ U.S.D. Net. Ea.
 (Valid for 60 days, F.O.B. Two Rivers, WI, U.S.A.)



Kahlenberg's
 KAHLENBERG BROS. CO. TWO RIVERS, WI. U.S.A.

OUTLINE DIMENSIONS
 MODEL F-3, FIG. 513
 AIRHORN

DATE	DRWG. NO.	REV.
04/30/01	3-5185	A