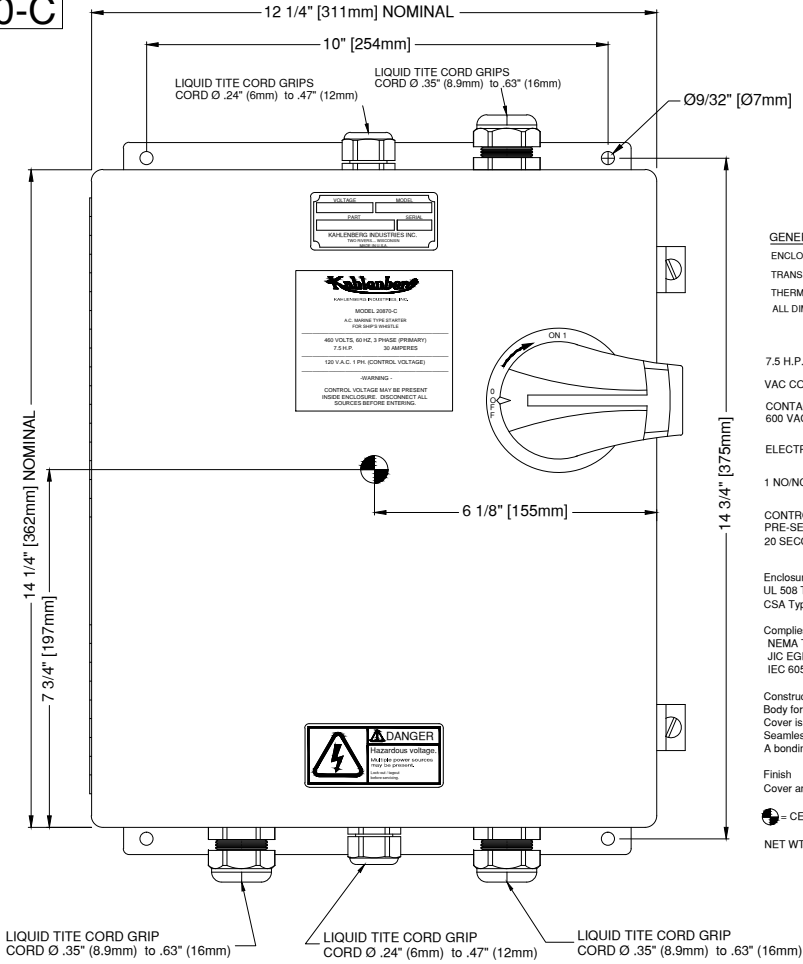


20870-C

REV.	BY	DATE	DESCRIPTION	APP'D.
B	ZN	08/20/21	UPDATED CORD GRIPS AND TRANSFORMER	EMK



GENERAL NOTES:
ENCLOSURE COVER REQUIRES MINIMUM CLEARANCE OF 13[330 mm] FOR OPENING
TRANSFORMER IS MULTI-TAPPED AND PREWIRED FOR 460 V PRIMARY AND 120 V SECONDARY
THERMAL OVERLOAD IS ADJUSTABLE TO DESIRED SETTING. FACTORY PRESET AT 4.8 AMP
ALL DIMENSIONS SHOWN ARE FOR REFERENCE PURPOSE ONLY, UNLESS OTHERWISE SPECIFIED.

7.5 H.P. 200-600 V.A.C.
VAC COIL (AS SPECIFIED)
CONTACT RATING:
600 VAC 25A
ELECTRONIC OVERLOAD 4-20 amp
1 NO/NC AUXILIARY CONTACT
CONTROLLER OVERLOAD IS
PRE-SET TO TRIP AT 4.8 AMPS
20 SECOND DELAY

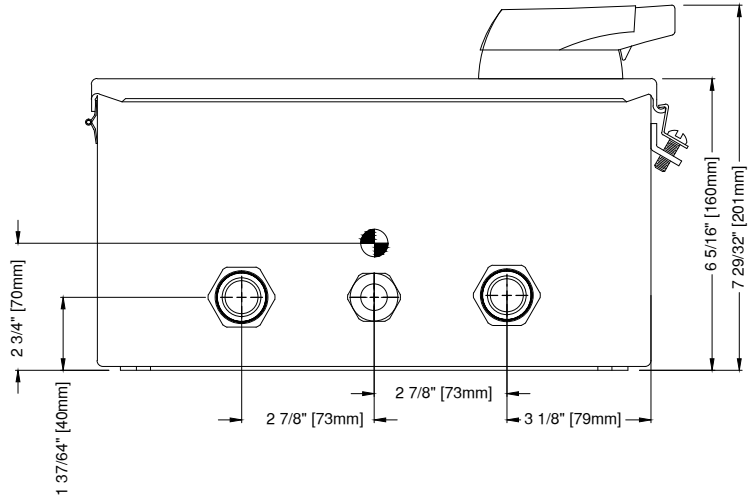
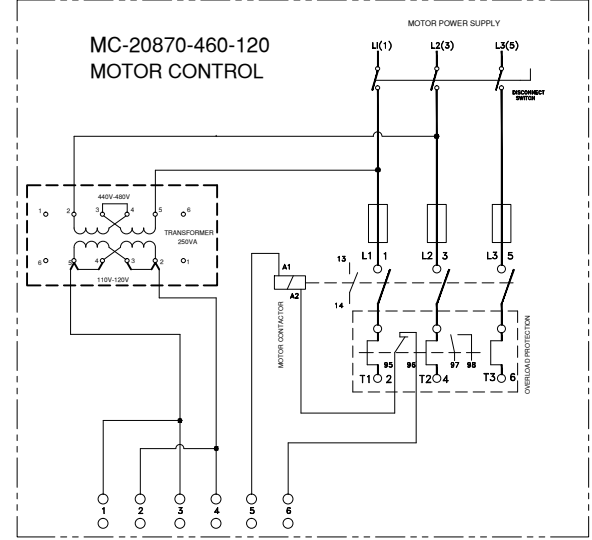
Enclosure Standards
UL 508 Type 3R, 4, 12 and 13
CSA Type 3R, 4, 12 and 13

Complies with
NEMA Type 3R, 4, 12 and 13
JIC EGP-1-1967 unless marked!
IEC 60529, IP66

Construction
Body formed from 16 or 14 gauge steel. Covers are formed from 14 gauge steel.
Cover is secured with stainless steel clamps and screws.
Seamless poured-in place gasket.
A bonding stud is provided on the door and a grounding stud is provided in the enclosure.

Finish
Cover and enclosure are phos-phatized, finished in recoatable smooth ANSI 61 gray powder coating.

☉ = CENTER OF GRAVITY
NET WT. 32 LBS. (14.51KG)



Kahlenberg
KAHLENBERG INDUSTRIES INC. TWO RIVERS, WISCONSIN 54241

OUTLINE DIMENSIONS/PARTS LIST
MODEL MC-20870-460-120
MOTOR STARTER

DR.	DATE	CKD.	SCALE	DRWG. NO.	REV.
ZJN	12/22/17	EMK	N.T.S.	20870-C	B