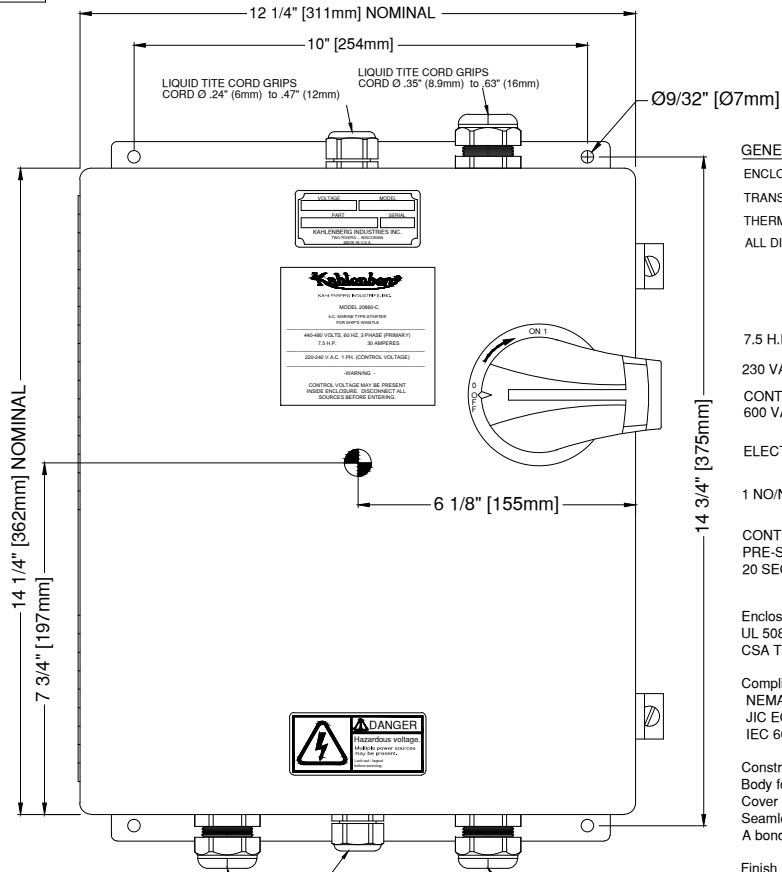


20860-C

REV.	BY	DATE	DESCRIPTION	APP'D
A	ZN	06/30/21	UPDATED CORD GRIPS AND TRANSFORMER	EK



GENERAL NOTES:

ENCLOSURE COVER REQUIRES MINIMUM CLEARANCE OF 13" [330 mm] FOR OPENING
 TRANSFORMER IS MULTI-TAPPED AND PREWIRED FOR 440-480 V PRIMARY AND 220-240 V SECONDARY
 THERMAL OVERLOAD IS ADJUSTABLE TO DESIRED SETTING, FACTORY PRESET AT 4.8 AMP
 ALL DIMENSIONS SHOWN ARE FOR REFERENCE PURPOSE ONLY, UNLESS OTHERWISE SPECIFIED.

7.5 H.P. 200-600 V.A.C.

230 VAC COIL

CONTACT RATING:
600 VAC 25A

ELECTRONIC OVERLOAD 4-20 amp

1 NO/NC AUXILIARY CONTACT

CONTROLLER OVERLOAD IS
PRE-SET TO TRIP AT 4.8 AMPS
20 SECOND DELAY

Enclosure Standards

UL 508 Type 3R, 4, 12 and 13
CSA Type 3R, 4, 12 and 13

Complies with

NEMA Type 3R, 4, 12 and 13
JIC EGP-1-1967 unless marked
IEC 60529, IP66

Construction

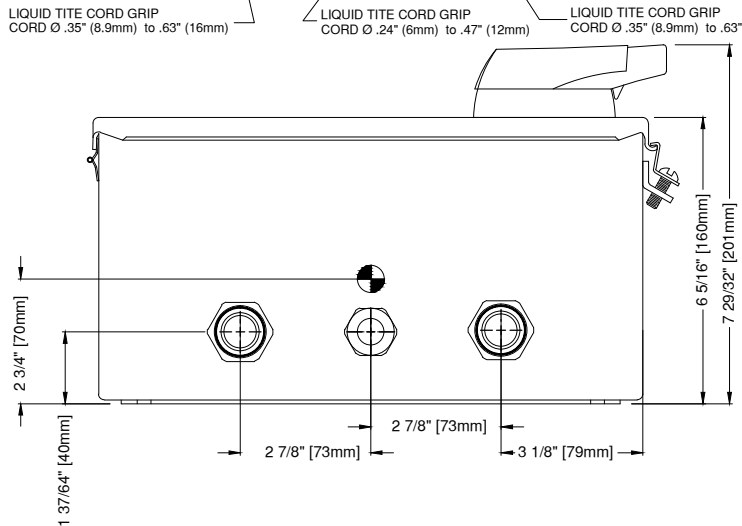
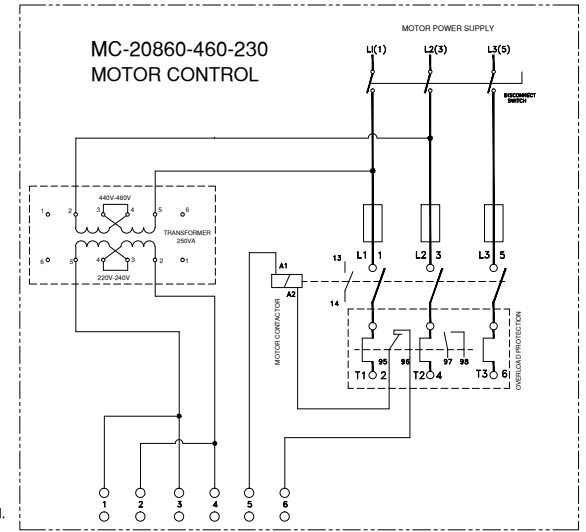
Body formed from 16 or 14 gauge steel. Covers are formed from 14 gauge steel.
Cover is secured with stainless steel clamps and screws.
Seamless poured-in place gasket.


A bonding stud is provided on the door and a grounding stud is provided in the enclosure.

Finish

Cover and enclosure are phos-phatized, finished in recoatable smooth ANSI 61 gray powder coating.

● = CENTER OF GRAVITY
NET WT. 32 LBS. (14.51KG)





KAHLENBERG INDUSTRIES INC. TWO RIVERS, WISCONSIN 54241

OUTLINE DIMENSIONS/PARTS LIST
MODEL MC-20860-460-230
MOTOR STARTER

DR.	DATE	CKD.	SCALE	DRWG. NO.	REV.
ZJN	03/04/20	EMK	N.T.S.	20860-C	A