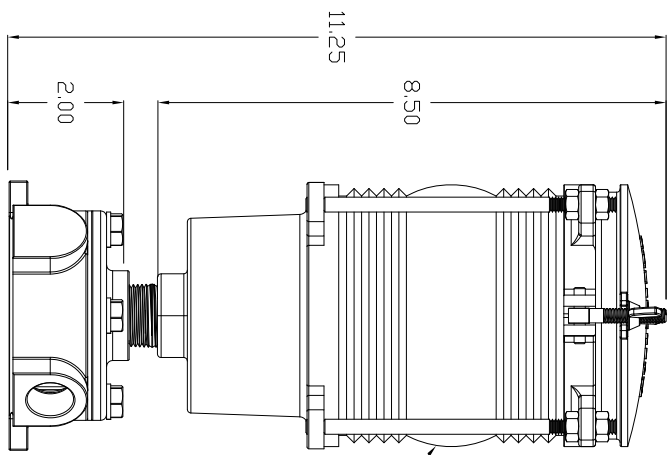
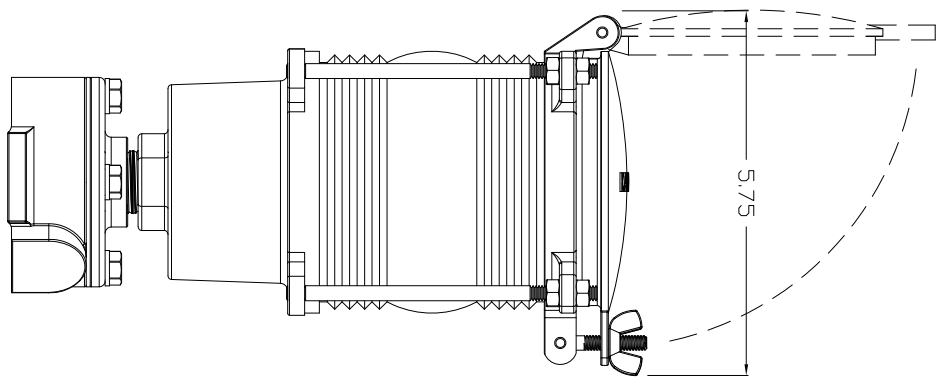
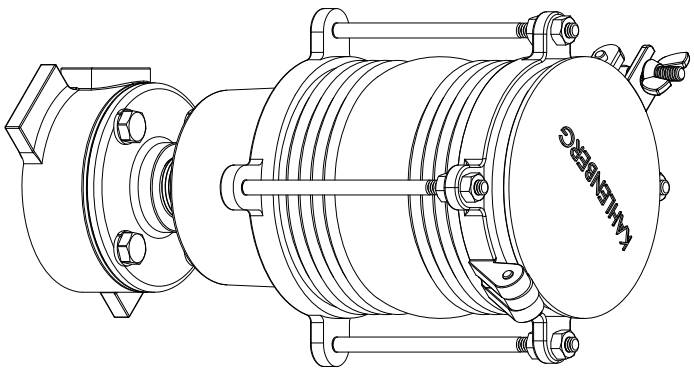
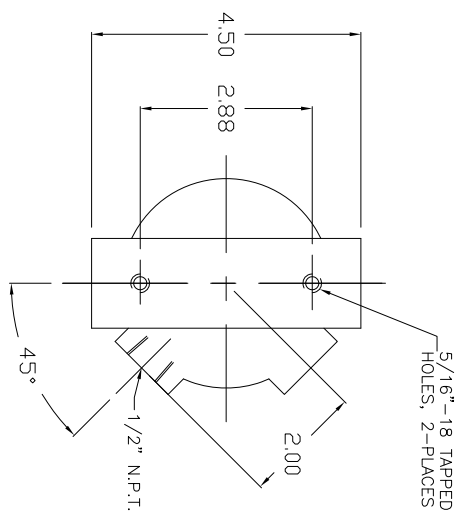
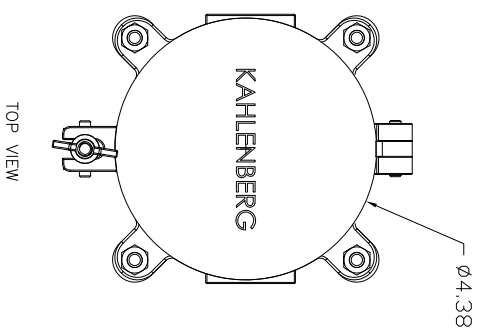


REV.	BY	DATE	DESCRIPTION	APP'D.
A	ZN	03/23/07	WEIGHT WAS 9 LBS. CORRECTED TO 12LBS.	EMK
B	ZN	01/30/19	CHANGED LAMP BASE TO P285 PREFOCUS	EMK



CLEAR FRESNEL LENS,
OTHER COLORS OPTIONAL.



Technical Data:
 Electrical: 250V 10A P285 Medium Prefocus Socket
 Bulb: T10, 60 or 100 watt (not included)
 Connection: 1/2" NPT Conduit Entry, 14 AWG Leads provided
 Ingress Protection: IP36
 Materials: Cast Bronze, Brass, Glass Fresnel Lens
 Net Weight: 12 lbs./5.44 kg

P.L. 2-2335/3-2606/3-2846

Kahlenberg
 KAHLLENBERG INDUSTRIES INC. TWO RIVERS, WI, U.S.A.

OUTLINE DIMENSIONS
 M-300 SIGNAL LIGHT
 W/ JUNCTION BOX

DR.	DATE	CKD.	SCALE	DRWG. NO.	REV.
ZJN	03/29/00	EMK	N.T.S.	2-2853	B