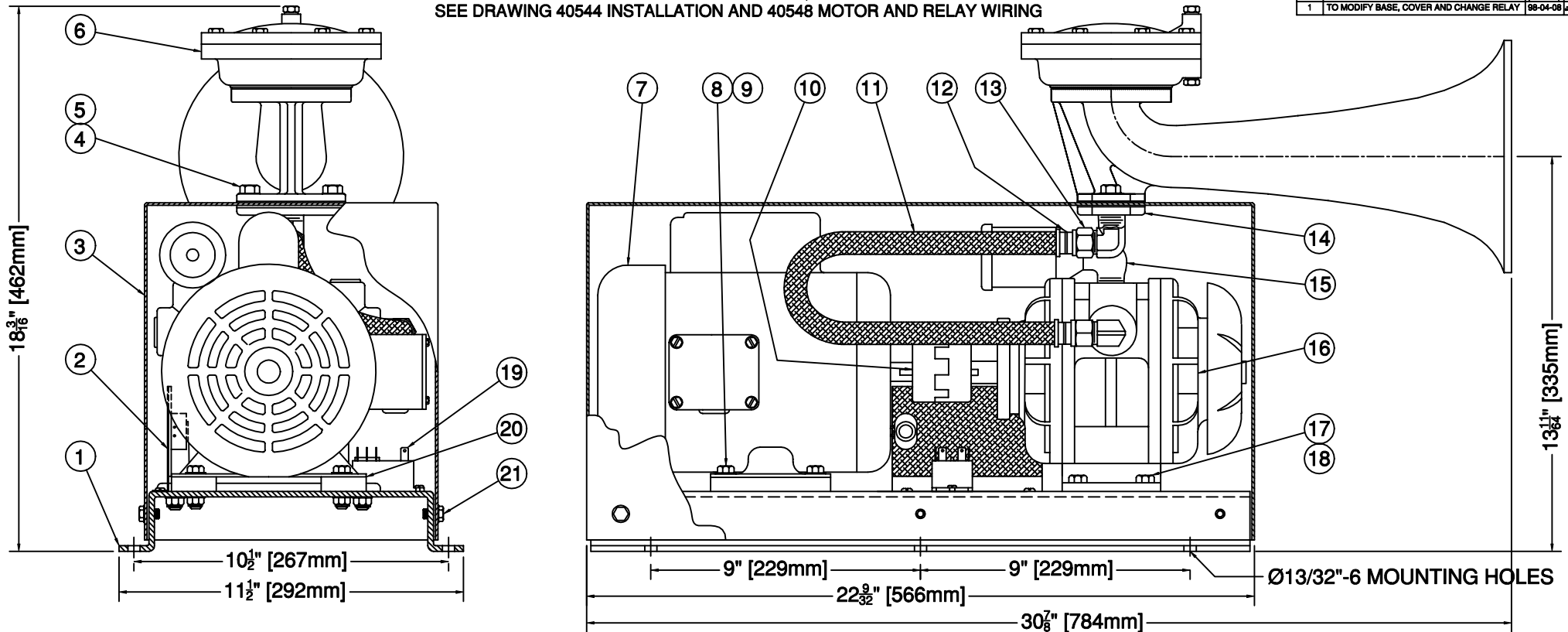


ALL DIMENSIONS ARE FOR REFERENCE ONLY, UNLESS OTHERWISE SPECIFIED.
SEE DRAWING 40544 INSTALLATION AND 40548 MOTOR AND RELAY WIRING


REVISIONS			
REV	DESCRIPTION	DATE (YY-MM-DD)	APPROVED
1	TO MODIFY BASE, COVER AND CHANGE RELAY	98-04-08	Z. J. J.



◦ RECOMMENDED SPARE PARTS, UNRESTRICTED VOYAGE.

REF	PART	DESCRIPTION	MATERIAL	SPECIFICATION	QTY
1	40262	BASE	ALUMINUM	UNS A950520	1
2	18160	FLEXIBLE HEATER WITH THERMOSWITCH	WIRE/SILICONE	UL B52061 VOL.4 SEC.1	1
3	40260	COVER	ALUMINUM	UNS A95052	1
4	30119	HEX HEAD CAP SCREW	STAINLESS STEEL	ASTM F593C	2
5	30122	LOCK WASHER	STAINLESS STEEL	ASA B27.1	2
6	15465	KMJ-4 BELL ASSEMBLY	ASSEMBLY	DRAWING No. 15465	1
7	10892	MOTOR C/W OVERLOAD PROTECTION	ASSEMBLY	DRAWING No. 10892	1
8	18204	HEX HEAD CAP SCREW 5/16-18x1 1/4"	STAINLESS STEEL 18.8	ASTM F593C	4
9	40025	5/16 HEX NYLOCK NUT	STAINLESS STEEL 18.8	ASTM F594-91	4
10	40010	COUPLING, JAW TYPE, NEOPRENE INSERT	STEEL/PLASTIC	COMMERCIAL	1
11	18280	BRAIDED FLEXIBLE HOSE, 300 PSI RATING	NEOPRENE RUBBER	CSA CERTIFIED	1
12	18285	TUBE ADAPTER	BRASS	ASME FILE # QSC-444	2
13	18290	MALE ELBOW 1/2"NPT	BRASS	ASME FILE # QSC-444	2
14	12847	AIR INLET FLANGE 1/2"NPT	CAST ALUMINUM	AA 535.2 (ALMAG 35)	1
15	18152	STREET ELBOW, 1/2"NPT	STAINLESS STEEL	UNS S31600	1
16	40017	AIR COMPRESSOR, ROTARY VANE, OILLESS	ASSEMBLY	DRAWING No. 40017	1
17	85223	3/8 HEX NYLOCK NUT	STAINLESS STEEL 18.8	ASTM F594-91	4
18	85224	HEX HEAD CAP SCREW 3/8-16x1 1/4"	STAINLESS STEEL 18.8	ASTM F593C	4
19	85814	POWER RELAY, 120VAC COIL, SEALED, DPDT	ASSEMBLY	CSA CERTIFIED	1
20	40280	FOOT BLOCK	ALUMINUM	ASTM B221	2
21	40032	HEX HEAD CAP SCREW 1/4-20x5/8"	STAINLESS STEEL	ASTM F593C	8

MOTOR 1HP, 1725 RPM, 115VAC 60Hz, 12.8A FULL LOAD, TEFC
HEATER 115 VAC, 75 WATTS, SWITCH SETTING 40°F ON, 55°F OFF
AIR COMPRESSOR: 1 HP, 1725 RPM, ROTARY VANE, OILLESS TYPE
WHISTLE FUND. FREQUENCY 311 Hz, MIN. 130 dB ON 1/3 OCTAVE @ 1M
POWER RELAY, DPDT, SEALED 120VAC COIL, 30A CONTACT RATING

<p>CONFIDENTIAL</p> <p>INFORMATION CONTAINED HEREIN IS CONFIDENTIAL. IT IS THE PROPERTY OF AIRCHIME MFG. CO. LTD., IT IS TO BE USED SOLELY FOR THE PURPOSE PROVIDED, AND IT IS NOT TO BE DISCLOSED TO OTHERS WITHOUT THE PRIOR WRITTEN CONSENT OF AIRCHIME MANUFACTURING COMPANY LIMITED.</p> <p>© Copyright Airchime Mfg. Co. Ltd. 1994</p>	<p>UNLESS OTHERWISE SPECIFIED DIMENSIONS ARE IN INCHES [MILLIMETERS ARE IN BRACKETS]</p> <p>TOLERANCES ARE: DECIMALS ANGLES</p> <p>FRACTIONS INCHES ANGLES</p> <p>±1/64" ±.01" ±1°</p> <p>XXX 2.000" XXX 2.000"</p>	<p>CONTRACT NUMBER</p> <p>CONTRACTOR</p>	 <p>AIRCHIME MANUFACTURING CO. LTD. LANGLEY, B.C. CANADA V4W 3S8</p>	
	<p>MATERIAL:</p> <p>ASSEMBLY</p>	<p>DRAWN BY: Z. J. J.</p> <p>CHECKER: R. J. C.</p>		<p>DATE (YY-MM-DD): 97-01-31</p> <p>APPROVED: B. W. C.</p>
	<p>FINISH:</p> <p>TWO COATS MARINE ENAMEL</p>	<p>DRAWING STATUS: CONTROLLED & ACTIVE</p> <p>DRAWING TYPE: ASSEMBLY</p>	<p>SIZE: NSCM</p> <p>B: 36575</p>	<p>16000</p>
			<p>SCALE: NONE</p>	<p>UNIT WT: 82 LBS</p>