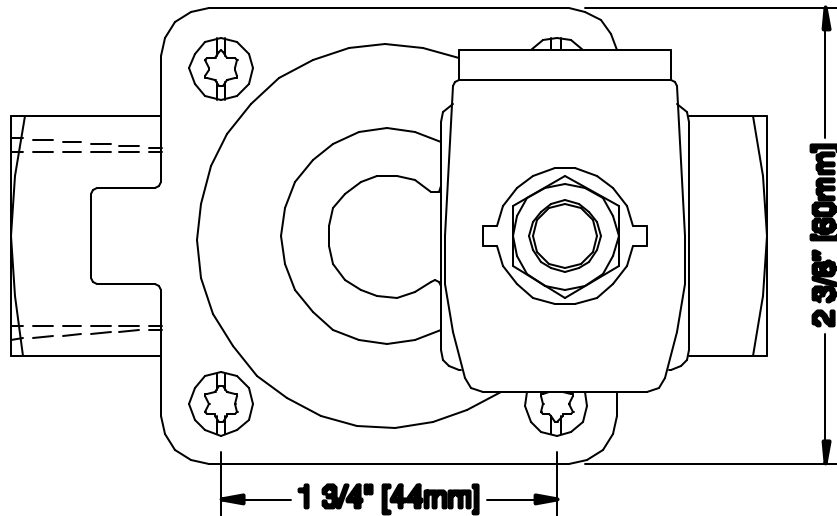
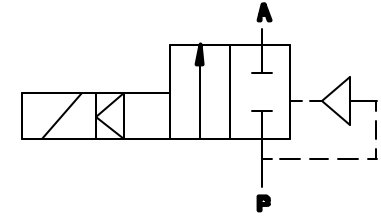
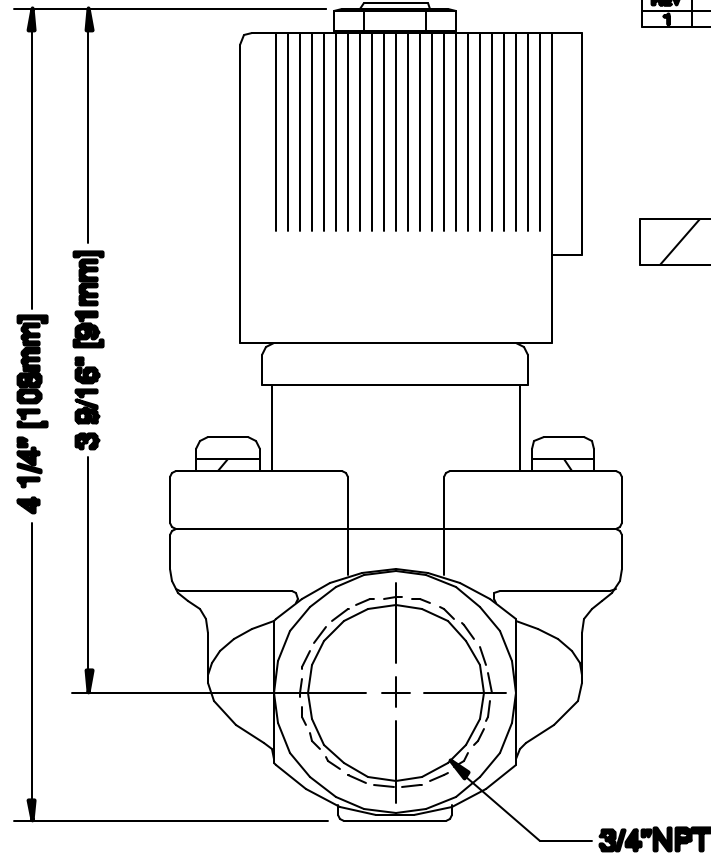
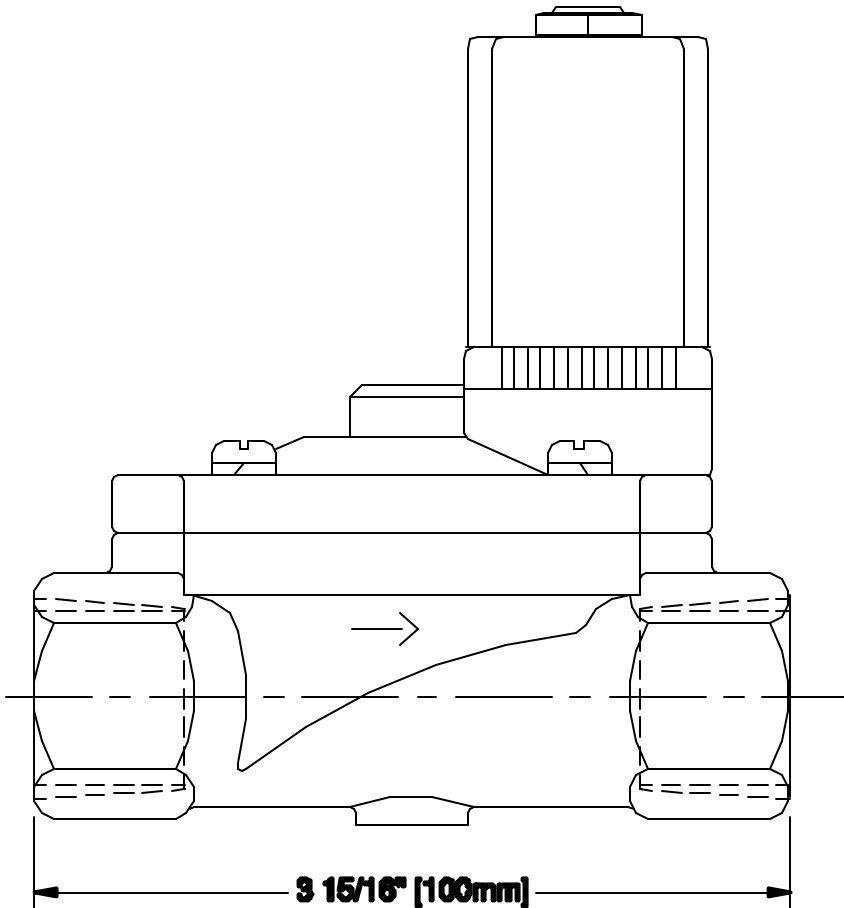



REVISES		
REV	DESCRIPTION	BY/NO/DATE/APPROVED
1		



MATERIAL: BRASS BODY AND SEAT, NBR SEAL
3/4\"/>

<p>CONFIDENTIAL</p> <p>INFORMATION CONTAINED HEREIN IS CONFIDENTIAL, IT IS THE PROPERTY OF ARCHIME MFG. CO. LTD. IT IS TO BE USED SOLELY FOR THE PURPOSE PROVIDED AND IT IS NOT TO BE DISCLOSED TO OTHERS WITHOUT THE PRIOR WRITTEN CONSENT OF ARCHIME MANUFACTURING COMPANY LIMITED</p> <p>© Copyright Archime Mfg. Co. Ltd.</p>	<p>CONTRACT NUMBER:</p>	 <p>ARCHIME MANUFACTURING CO. LTD. LANGLEY, B.C. CANADA V4W 0B0</p>
	<p>CUSTOMER:</p>	
	<p>DRAWN BY: D.L.H.</p> <p>CHECKED: D.F.</p> <p>SCALE: NONE</p>	<p>DATE: 2001-08-21</p> <p>APPROVED: D.F.</p> <p>WEIGHT: 2.43 LBS</p>