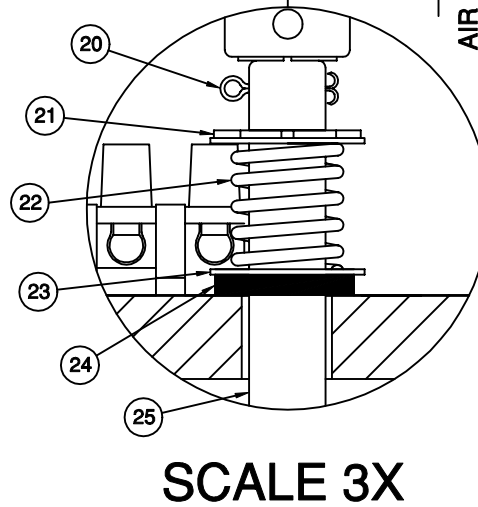
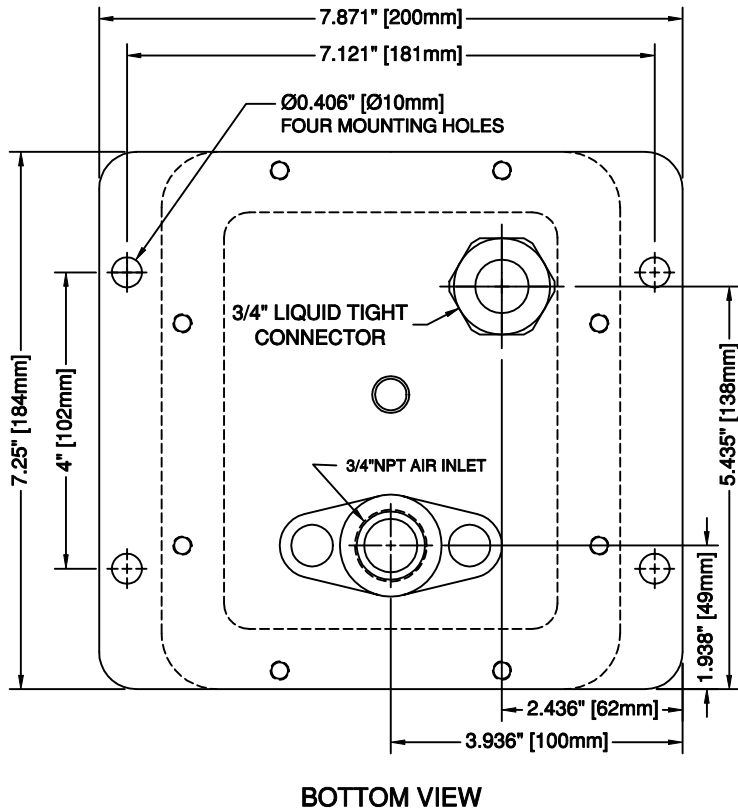
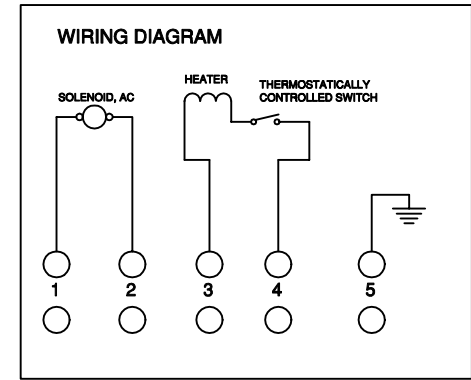
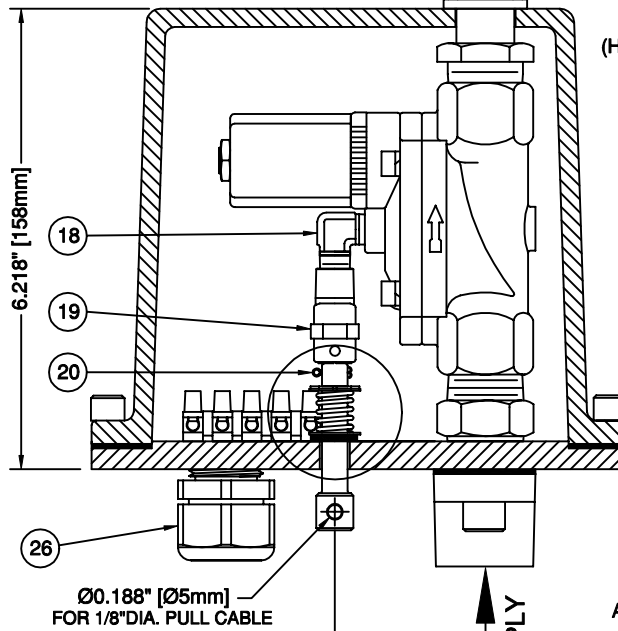
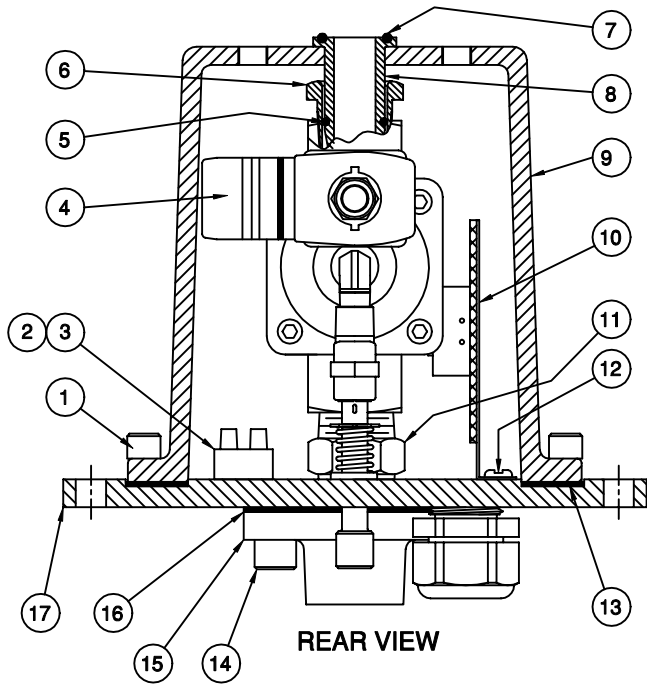



REVISIONS			
REV	DESCRIPTION	(YR-MO-DA)	APPROVED
1			



ALL DIMENSIONS ARE FOR REFERENCE PURPOSE ONLY, U.O.S.
* RECOMMENDED SPARE PART

REF	PART	DESCRIPTION	MATERIAL	SPECIFICATION	QTY
1	30144	SOCKET HEAD CAP SCREW, 3/8"x5/8"	STAINLESS STEEL 304	ASTM F837-91	8
2	18310	TERMINAL BLOCK, 20A, 5 CONTACTS	POLYAMIDE, COPPER	CE, CSA, UL	1
3	85902	MACHINE SCREW, SLOT, 6-32x3/4"	STAINLESS STEEL 304	MS 16209	2
4	87877	SOLENOID VALVE, 120VAC, 3/4"NPT	DRAWING No. 87877	CE, CSA, UL	1
5	87830	O RING, 7/8"O.D.x11/16" I.D.	BUNA N	ASTM FPM	1
6	87840	HEX BUSHING ADAPTER, 3/4"NPT	BRASS	ASTM B16	1
7	30211	O RING, 1"O.D.x7/8" I.D.	BUNA N	ASTM FPM	1
8	87845	AIR OULET FLANGE ADAPTER	STAINLESS STEEL 304	UNS S30400	1
9	87870	ENCLOSURE COVER	CAST ALUMINUM	UNS A05352	1
10	18173	HEATER ASSEMBLY, 45W/120VAC	DRAWING No. 18173	CE, UL, CSA	1
11	87855	HEX NIPPLE, 3/4"NPT	STEEL, CAD PLATED	ANSI B16.3	1
12	65098	MACHINE SCREW, SLOT, 10-24x3/8"	STAINLESS STEEL 304	ANSI B18.6	2
13	87872	ENCLOSURE COVER GASKET	NEOPRENE, 1/16"	ASTM D2000 BG	1
14	32115	SOCKET HEAD CAP SCREW, 3/8-16x1"	STAINLESS STEEL 304	ASTM F594	2
15	32095	AIR INLET FLANGE, 3/4"NPT	CAST ALUMINUM	UNS A05352	1
16	32108	INLET FLANGE GASKET	POLY FIBRE	ASTM F104	1
17	87865	ENCLOSURE BASE PLATE	ALUMINUM	ASTM B209	1
18	87828	90° MALE ELBOW, 1/8"NPT	BRASS	ANSI B16.3	1
19	87803	MANUAL OVERRIDE VALVE	ASSEMBLY	COMMERCIAL	1
20	36699	COTTER PIN, 3/32"x1/2"	STAINLESS STEEL 304	ANSI B18	1
21	87890	EXTERNAL RETAINING RING	STAINLESS STEEL	MS 16633	1
22	87880	SPRING, 1/2"O.D.x1"	STAINLESS STEEL 302	ASTM A313	1
23	13244	FLAT WASHER, 5/16" ID	STAINLESS STEEL 304	ANSI B18.6	2
24	87885	FLAT WASHER, 5/8"O.D.	E.P. POLYMER	ASTM EPDM	1
25	87860	PULL PIN, MANUAL OVERRIDE	STAINLESS STEEL 316	UNS S31600	1
26	87868	LIQUID TIGHT FITTING, 3/4"	NYLON	UL, CSA	1

MAXIMUM OPERATING PRESSURE: 200 PSI [13.6 BAR]
CONTROL VOLTAGE: 115VAC/50/60Hz
HEATER SUPPLY VOLTAGE: 115VAC, 45W CAPACITY
HEATER THERMOSTAT PRESET AT 40°F (4.4°C) ON AND 55°F (12.7°C) OFF, CONTACT CLOSE ON TEMP. FALLING

CONFIDENTIAL		CONTRACT NUMBER:		 AIRCHIME MANUFACTURING CO. LTD. LANGLEY, B.C. CANADA V4W 3S8
INFORMATION CONTAINED HEREIN IS CONFIDENTIAL; IT IS THE PROPERTY OF AIRCHIME MFG. CO. LTD. IT IS TO BE USED SOLELY FOR THE PURPOSE PROVIDED AND IT IS NOT TO BE DISCLOSED TO OTHERS WITHOUT THE PRIOR WRITTEN CONSENT OF AIRCHIME MANUFACTURING COMPANY LIMITED.		CUSTOMER:		
DRAWN BY: L. H. J.	DATE: 2001-08-21	DRAWN BY: L. H. J.		
CHECKED: D. F.	APPROVED: L. H. J.	SCALE: NONE		
© Copyright Airchime Mfg. Co. Ltd.		WEIGHT: N/A	MODEL VCH-120 HEATED SOLENOID & MANUAL COMBINATION VALVE 33515	
		DRAWING TYPE: ASSEMBLY		SHEET: 1 OF 1