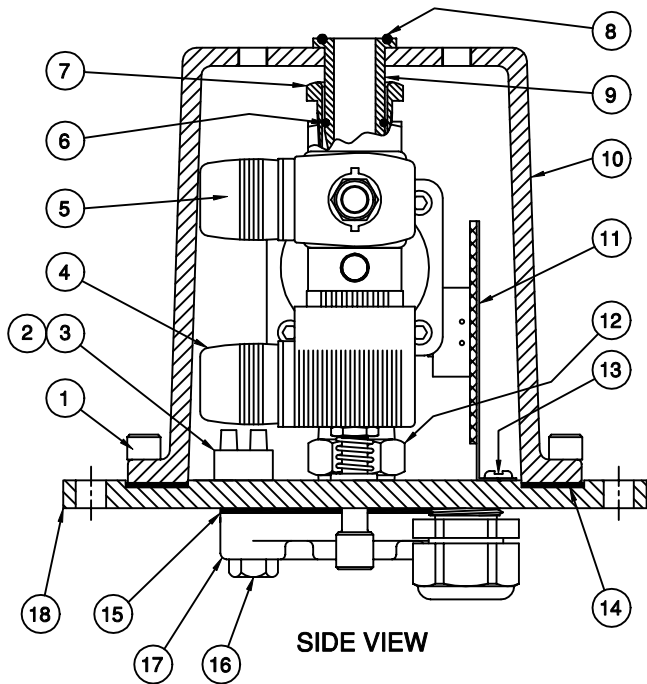
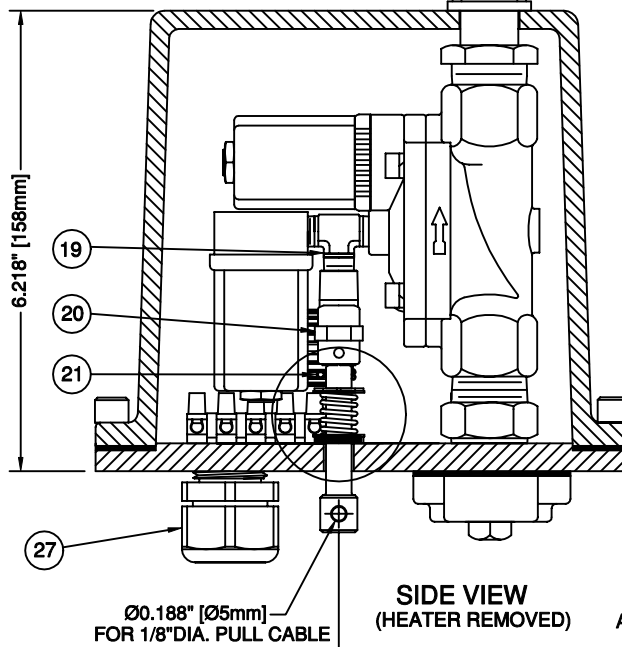


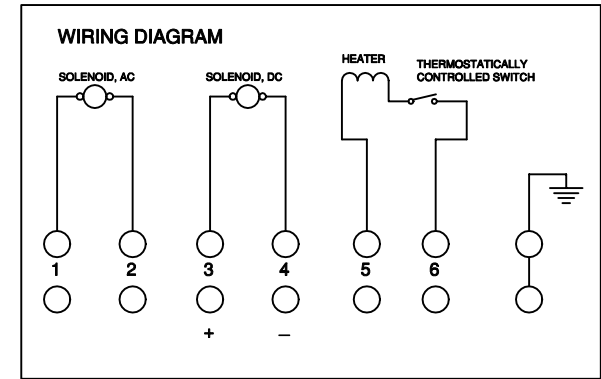
REVISIONS			
REV	DESCRIPTION	(YR-MO-DA)	APPROVED
1	NEW SOLENOIDS	01-05-03	L.H.F.



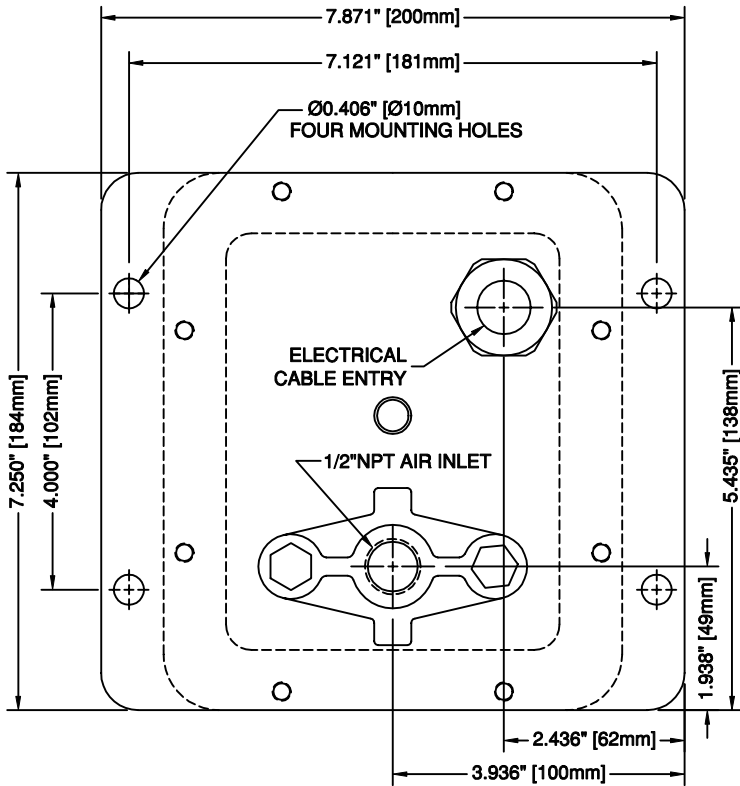
SIDE VIEW



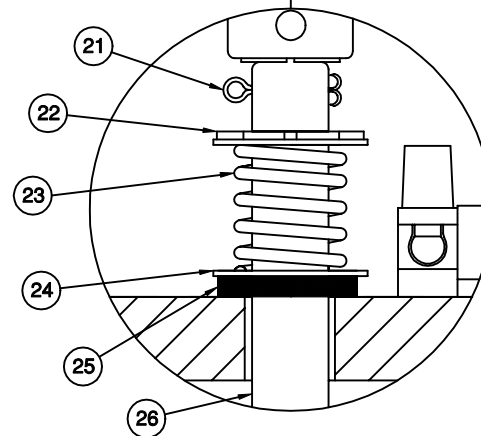
SIDE VIEW
(HEATER REMOVED)



ALL DIMENSIONS ARE FOR REFERENCE PURPOSE ONLY, U.S.



BOTTOM VIEW



SCALE 3X

MAXIMUM OPERATING PRESSURE: 180 PSI [12.2 BAR]
 CONTROL VOLTAGE: 115VAC/50/60Hz
 HEATER SUPPLY VOLTAGE: 115VAC, 45W CAPACITY
 HEATER THERMOSTAT PRESET AT 40°F (4.4°C) ON AND 55°F (12.7°C) OFF, CONTACT CLOSE ON TEMP. FALLING

REF	PART	DESCRIPTION	MATERIAL	SPECIFICATION	QTY
1	30144	SOCKET HEAD CAP SCREW, 3/8"x5/8"	STAINLESS STEEL 304	ASTM F837-91	8
2	18300	TERMINAL BLOCK, 20A, 7 CONTACTS	POLYAMIDE, COPPER	CE, CSA, UL	1
3	85902	MACHINE SCREW, SLOT, 6-32x3/4"	STAINLESS STEEL 304	MS 16209	2
4	31163	SOLENOID VALVE, 120VAC, 1/8"NPT	DRAWING No. 31163	CE, CSA, UL	1
5	87875	SOLENOID VALVE, 24VDC, 3/4"NPT	DRAWING No. 87875	CE, CSA, UL	1
6	87830	O RING, 7/8"O.D.x11/16" I.D.	BUNA N	ASTM FPM	1
7	87840	HEX BUSHING ADAPTER, 3/4"NPT	BRASS	ASTM B16	1
8	30211	O RING, 1"O.D.x7/8" I.D.	BUNA N	ASTM FPM	1
9	87845	AIR OULET FLANGE ADAPTER	STAINLESS STEEL 304	UNS S30400	1
10	87870	ENCLOSURE COVER	CAST ALUMINUM	UNS A05352	1
11	18173	HEATER ASSEMBLY, 45W/120VAC	DRAWING No. 18173	CE, UL, CSA	1
12	87855	HEX NIPPLE, 3/4"NPT	STEEL, CAD PLATED	ANSI B16.3	1
13	65098	MACHINE SCREW, SLOT, 10-24x3/8"	STAINLESS STEEL 304	ANSI B18.6	2
14	87872	ENCLOSURE COVER GASKET	NEOPRENE, 1/16"	ASTM D2000 BG	1
15	30120	INLET FLANGE GASKET	CORK NEOPRENE	COMMERCIAL	1
16	18201	HEX HEAD CAP SCREW, 3/8-16x1"	STAINLESS STEEL 304	ASTM F594	2
17	12847	AIR INLET FLANGE, 1/2"NPT	CAST ALUMINUM	UNS A05352	1
18	87865	ENCLOSURE BASE PLATE	ALUMINUM	ASTM B209	1
19	87825	MALE TEE, 1/8"NPT	BRASS	ANSI B18.6	1
20	87803	MANUAL OVERRIDE VALVE	ASSEMBLY	COMMERCIAL	1
21	36699	COTTER PIN, 3/32"x1/2"	STAINLESS STEEL 304	ANSI B18	1
22	87890	EXTERNAL RETAINING RING	STAINLESS STEEL	MS 16633	1
23	87880	SPRING, 1/2"O.D.x1"	STAINLESS STEEL 302	ASTM A313	1
24	13244	FLAT WASHER, 5/16" ID	STAINLESS STEEL 304	ANSI B18.6	2
25	87885	FLAT WASHER, 5/8"O.D.	E.P. POLYMER	ASTM EPDM	1
26	87860	PULL PIN, MANUAL OVERRIDE	STAINLESS STEEL 316	UNS S31600	1
27	87868	LIQUID TIGHT FITTING, 3/4"	NYLON	UL, CSA	1

CONFIDENTIAL

INFORMATION CONTAINED HEREIN IS CONFIDENTIAL. IT IS THE PROPERTY OF AIRCHIME MFG. CO. LTD. IT IS TO BE USED SOLELY FOR THE PURPOSE PROVIDED AND IT IS NOT TO BE DISCLOSED TO OTHERS WITHOUT THE PRIOR WRITTEN CONSENT OF AIRCHIME MANUFACTURING COMPANY LIMITED.

CONTRACT NUMBER:

CUSTOMER:

DRAWN BY: D.L.B.
 CHECKED: D.F.
 DATE: 2001-08-21
 APPROVED: L.H.F.

SCALE: NONE
 WEIGHT: N/A



AIRCHIME MANUFACTURING CO. LTD.
 LANGLEY, B.C. CANADA
 V4W 3S8

MODEL TVE-120/24
DUAL COILS AND MANUAL VALVE

33530 DRAWING TYPE: ASSEMBLY SHEET: 1 OF 1