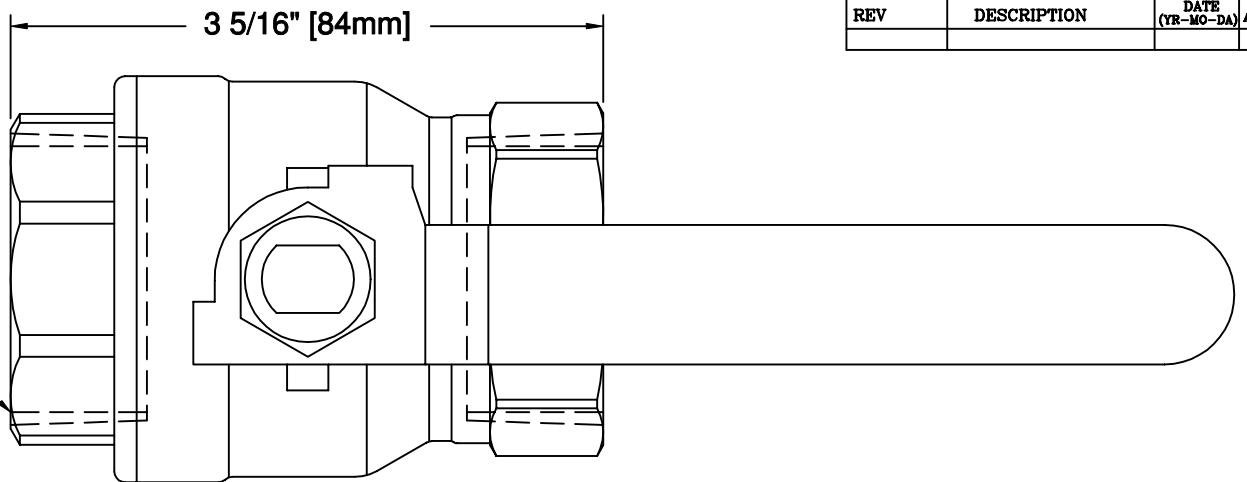
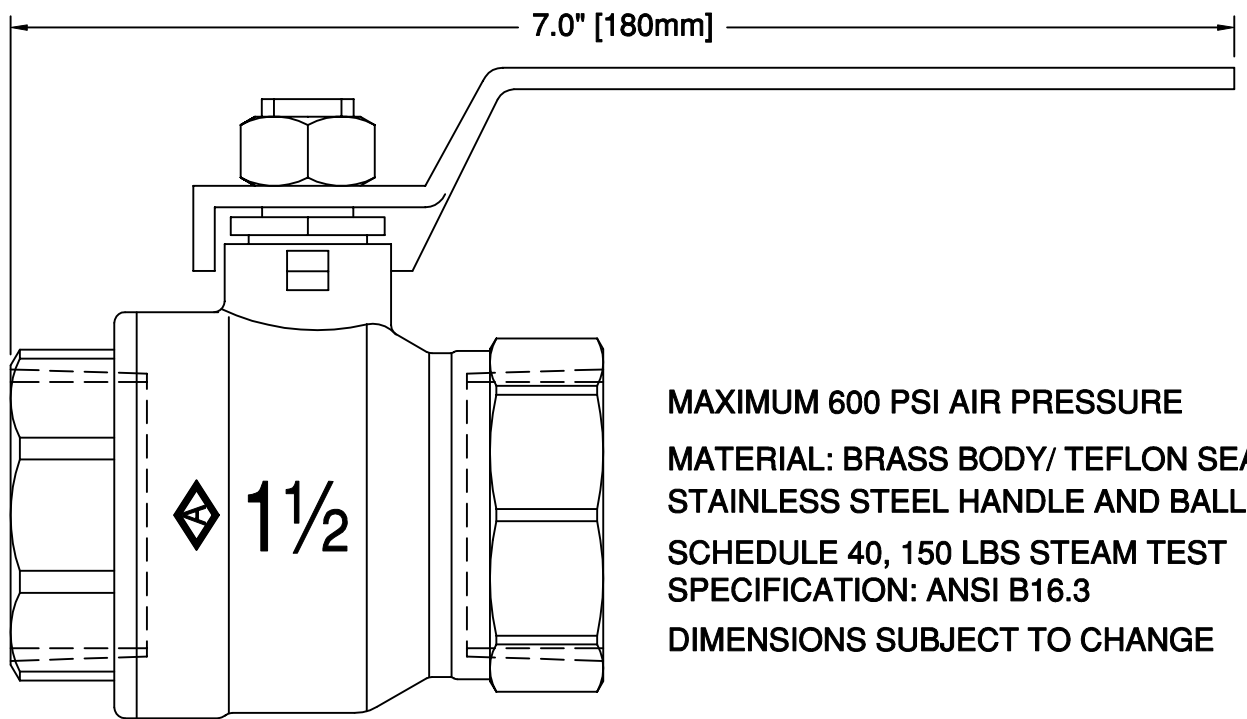
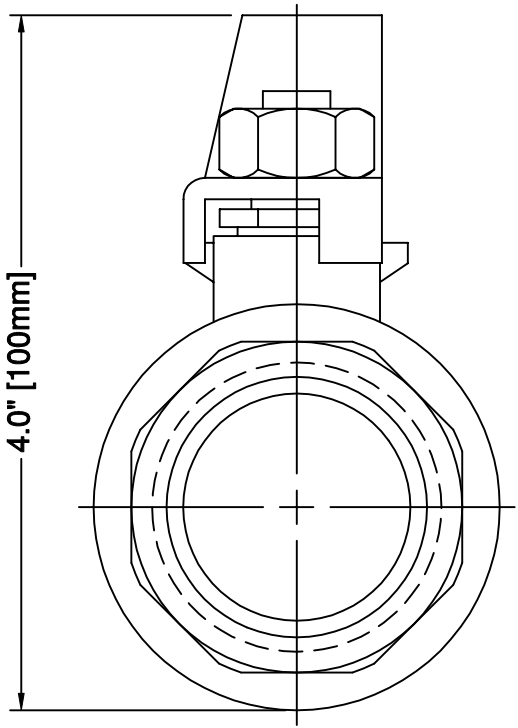



REVISIONS			
REV	DESCRIPTION	DATE (YR-MO-DA)	APPROVED



1 1/2" NPT BOTH ENDS



MAXIMUM 600 PSI AIR PRESSURE
 MATERIAL: BRASS BODY/ TEFLON SEAL
 STAINLESS STEEL HANDLE AND BALL
 SCHEDULE 40, 150 LBS STEAM TEST
 SPECIFICATION: ANSI B16.3
 DIMENSIONS SUBJECT TO CHANGE

CONFIDENTIAL INFORMATION CONTAINED HEREIN IS CONFIDENTIAL, IT IS THE PROPERTY OF AIRCHIME MFG. CO. LTD.. IT IS TO BE USED SOLELY FOR THE PURPOSE PROVIDED, AND IT IS NOT TO BE DISCLOSED TO OTHERS WITHOUT THE PRIOR WRITTEN CONSENT OF AIRCHIME MANUFACTURING COMPANY LIMITED. © Copyright Airchime Mfg. Co. Ltd. 1994	CUSTOMER		 AIRCHIME MANUFACTURING CO. LTD. LANGLEY, B.C. CANADA V5W 3S8
	DRAWN BY: <i>R. R. J. B.</i>	DATE (YR-MO-DA) 2003-10-17	
	CHECKER: <i>L. H. J.</i>	APPROVED:	SIZE: NSCM A 36575
	DRAWING STATUS: CONTROLLED & ACTIVE	TYPE OF DRAWING: CUSTOMER	13682 SCALE: NONE UNIT WT: 0.8 KG SHEET: 1 OF 1