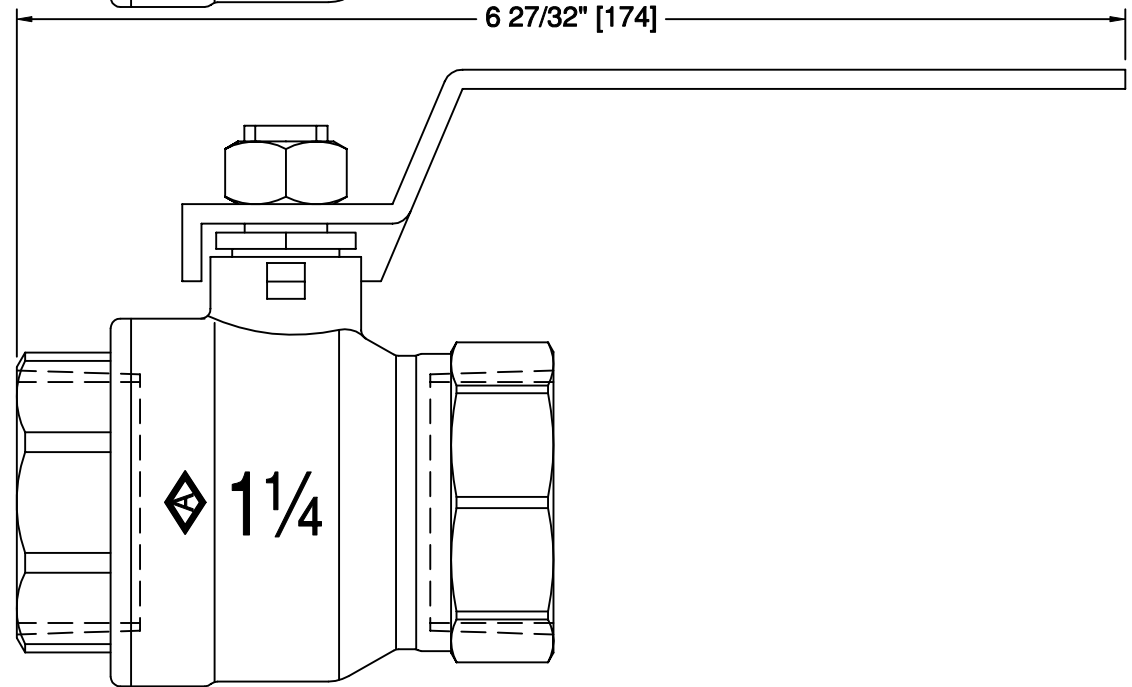
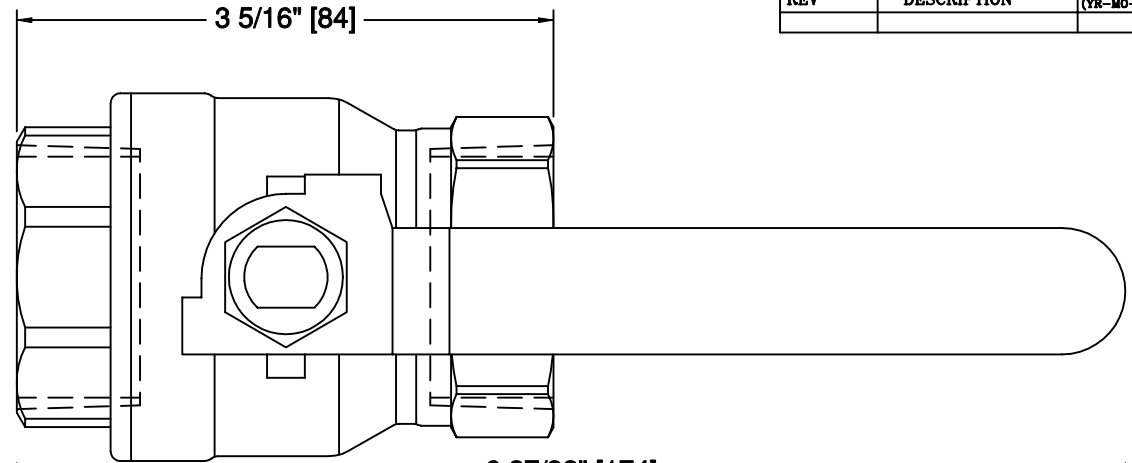
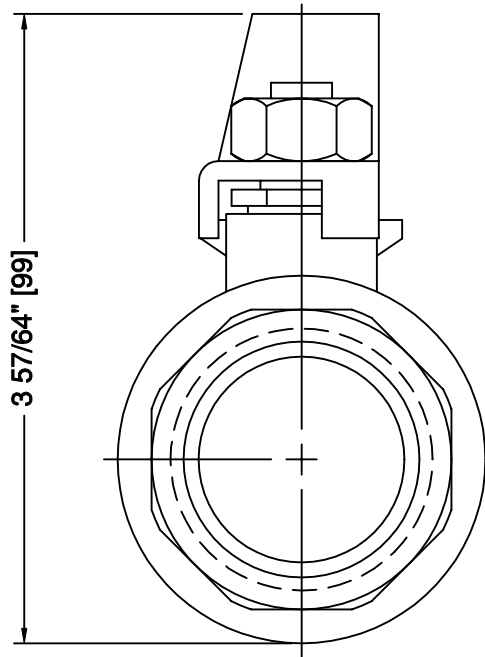


REVISIONS			
REV	DESCRIPTION	DATE (YR-MO-DA)	APPROVED

1 1/4"NPT BOTH ENDS



**MATERIAL: BRASS/ST.ST./TEFLON
SCHEDULE 40, 150 LBS STEAM TEST
SPECIFICATION: ANSI B16.3**

CONFIDENTIAL

INFORMATION CONTAINED HEREIN IS CONFIDENTIAL, IT IS THE PROPERTY OF AIRCHIME MFG. CO. LTD., IT IS TO BE USED SOLELY FOR THE PURPOSE PROVIDED, AND IT IS NOT TO BE DISCLOSED TO OTHERS WITHOUT THE PRIOR WRITTEN CONSENT OF AIRCHIME MANUFACTURING COMPANY LIMITED.

© Copyright Airchime Mfg. Co. Ltd. 1994

UNLESS OTHERWISE SPECIFIED DIMENSIONS ARE IN INCHES [MILLIMETERS ARE IN BRACKETS]

TOLERANCES ARE: METRIC [±.04mm]
FRACTIONS DECIMALS ANGLES
±1/64" X ±.01" ±1"
XX ±.005" XX ±.005"
XXX ±.002" XXX ±.002"

MATERIAL:

BRASS

FINISH:

125/ UNLESS OTHERWISE SPECIFIED

CONTRACT NUMBER

CONTRACTOR

DRAWN BY:
S.L.B.

DATE (YR-MO-DA)
2001-05-02

CHECKER:
S.F.

APPROVED:
L.H.F.

DRAWING STATUS:
CONTROLLED & ACTIVE

TYPE OF DRAWING:

PRODUCTION



AIRCHIME MANUFACTURING CO. LTD.
LANGLEY, B.C. CANADA
V5W 3S8

**MODEL BV-1 1/4
HORN SERVICE SHUT OFF VALVE**

SIZE A NSCM
36575

13679

SCALE: NONE UNIT WT: 750 Gr SHEET: 1 OF 1