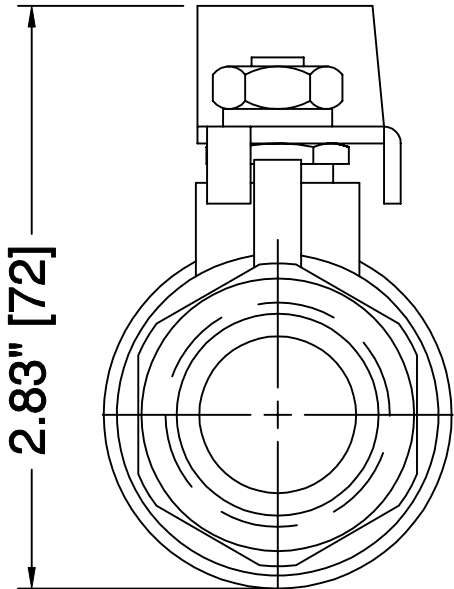
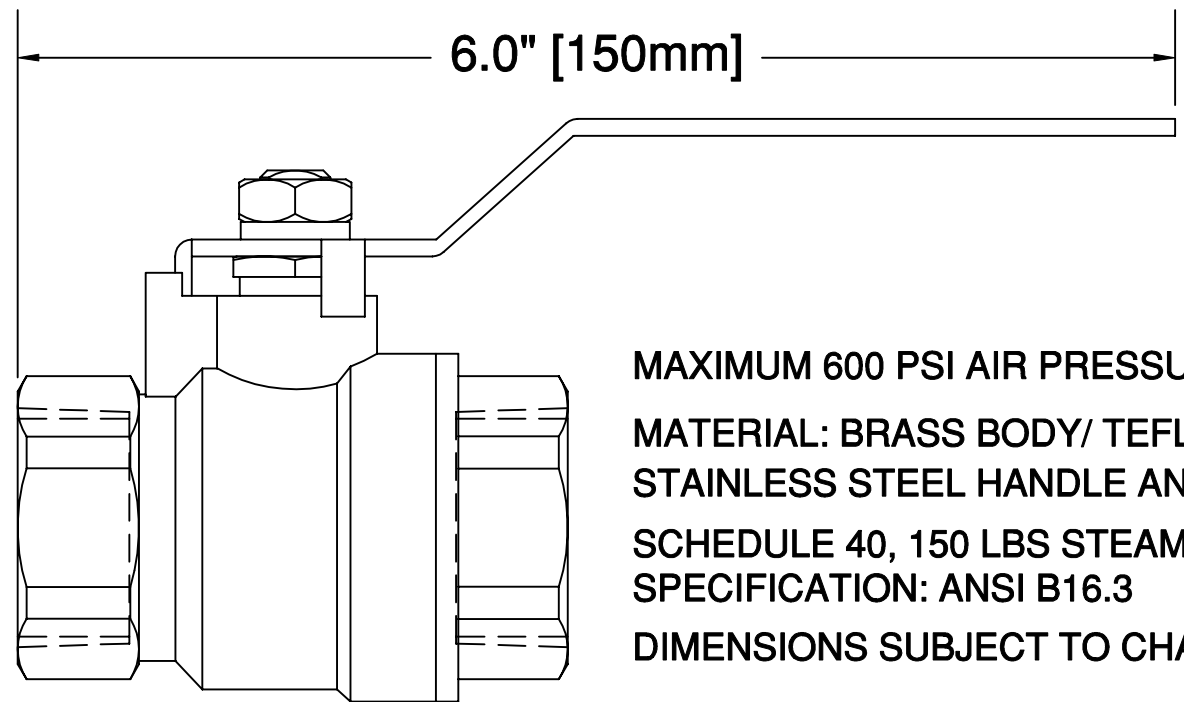
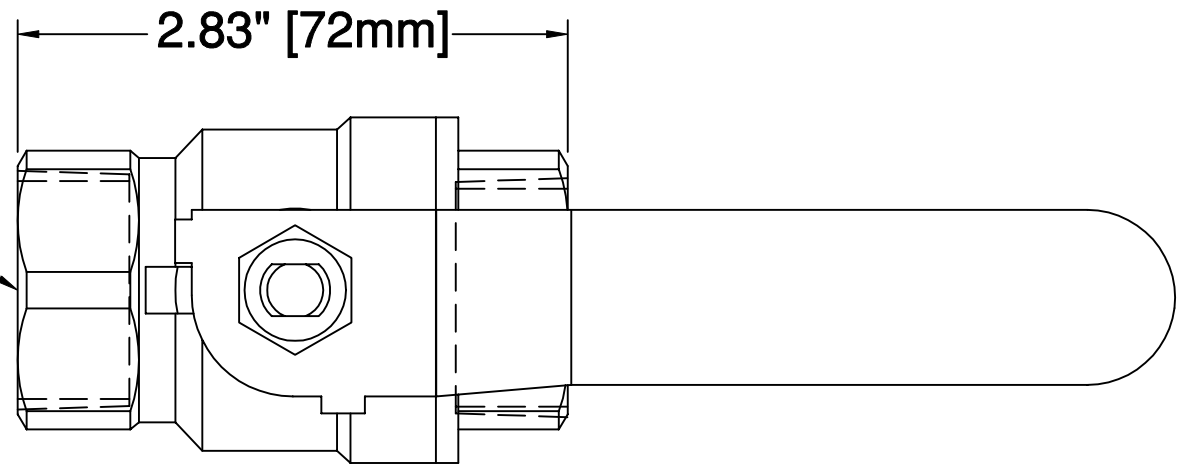



REVISIONS			
REV	DESCRIPTION	DATE (YR-MO-DA)	APPROVED

1"NPT BOTH ENDS



MAXIMUM 600 PSI AIR PRESSURE
MATERIAL: BRASS BODY/ TEFLON SEAL
STAINLESS STEEL HANDLE AND BALL
SCHEDULE 40, 150 LBS STEAM TEST
SPECIFICATION: ANSI B16.3
DIMENSIONS SUBJECT TO CHANGE

CONFIDENTIAL INFORMATION CONTAINED HEREIN IS CONFIDENTIAL, IT IS THE PROPERTY OF AIRCHIME MFG. CO. LTD., IT IS TO BE USED SOLELY FOR THE PURPOSE PROVIDED, AND IT IS NOT TO BE DISCLOSED TO OTHERS WITHOUT THE PRIOR WRITTEN CONSENT OF AIRCHIME MANUFACTURING COMPANY LIMITED. © CopyRight Airchime Mfg. Co. Ltd.	CUSTOMER		 AIRCHIME MANUFACTURING CO. LTD. LANGLEY, B.C. CANADA V4W 3S8		
	DRAWN BY: <i>a. a. j. b.</i> CHECKER:		DATE (YR-MO-DA) 2003-10-16 APPROVED:		
	FINISH:		SIZE: A TYPE: ASSEMBLY	DRAWING NUMBER: 13678	
	SCALE: NONE		UNIT WT: 530 g	SHEET: 1 OF 1	