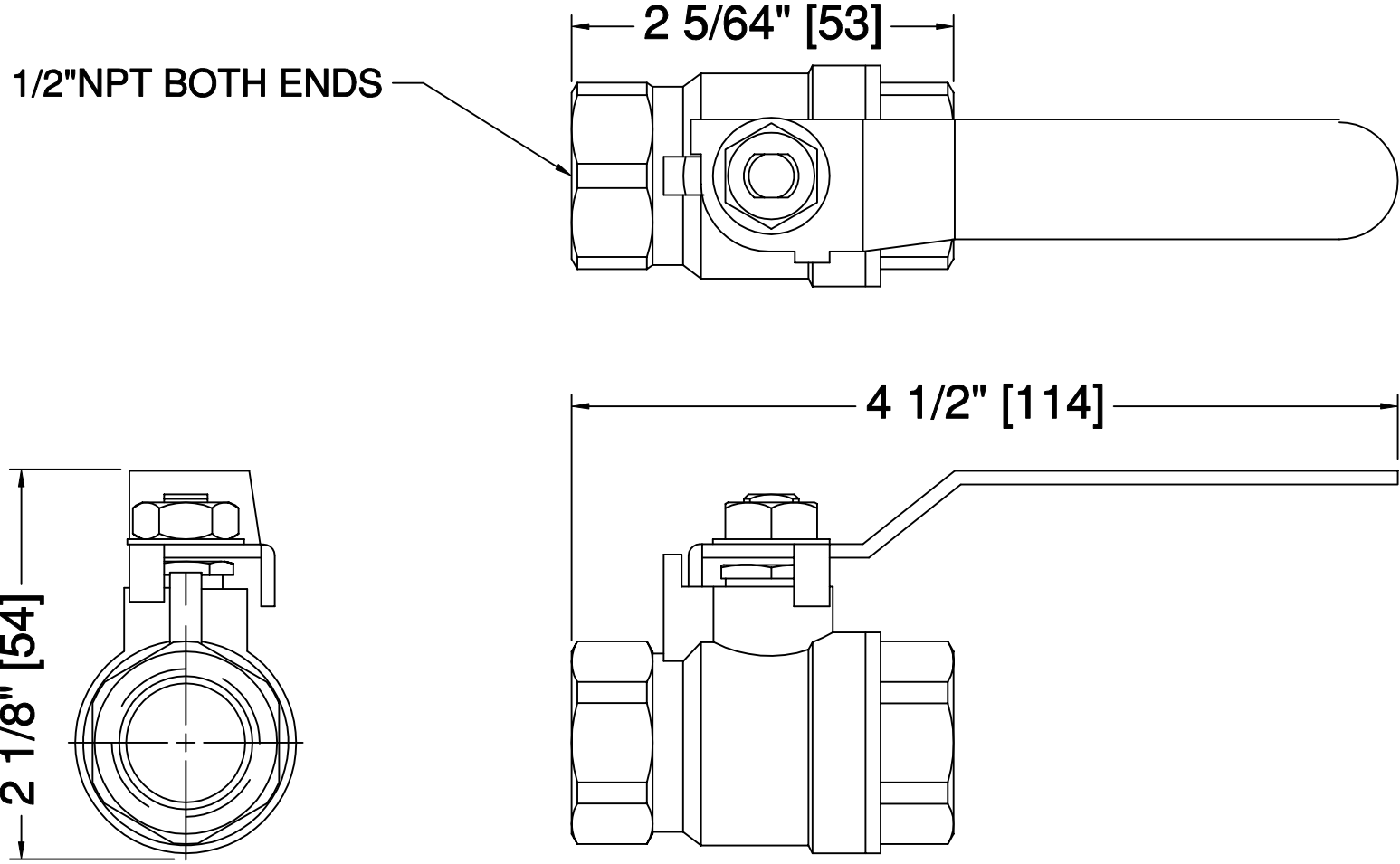



REVISIONS			
REV	DESCRIPTION	DATE (YR-MO-DA)	APPROVED



**MAXIMUM 600 PSI AIR PRESSURE**  
**MATERIAL: BRASS BODY/ TEFLON SEAL**  
**STAINLESS STEEL HANDLE AND BALL**  
**SCHEDULE 40, 150 LBS STEAM TEST**  
**SPECIFICATION: ANSI B16.3**  
**DIMENSIONS SUBJECT TO CHANGE**

<b>CONFIDENTIAL</b> INFORMATION CONTAINED HEREIN IS CONFIDENTIAL, IT IS THE PROPERTY OF AIRCHIME MFG. CO. LTD., IT IS TO BE USED SOLELY FOR THE PURPOSE PROVIDED, AND IT IS NOT TO BE DISCLOSED TO OTHERS WITHOUT THE PRIOR WRITTEN CONSENT OF AIRCHIME MANUFACTURING COMPANY LIMITED. © CopyRight Airchime Mfg. Co. Ltd.	UNLESS OTHERWISE SPECIFIED DIMENSIONS ARE IN INCHES [MILLIMETERS ARE IN BRACKETS] TOLERANCES ARE: METRIC (±.04mm) FRACTIONS    DECIMALS    ANGLES ±1/64"        .X ±.01"        ±1° .XX ±.005"        .XXX ±.002"	 <b>AIRCHIME MANUFACTURING CO. LTD.</b> LANGLEY, B.C. CANADA V4W 3S8	
	DRAWN BY: <i>D.L.B.</i> DATE (YR-MO-DA) 2001-05-04 CHECKER: <i>D.F.</i> APPROVED: <i>L.J.F.</i>		<b>MODEL BV-1/2</b> <b>SHUT OFF BALL VALVE, 1/2"NPT</b>
	FINISH: UNLESS 125 OTHERWISE SPECIFIED	SIZE: <b>A</b> TYPE: <b>ASSEMBLY</b> DRAWING NUMBER: <b>13674</b>	SCALE: NONE    UNIT WT: 750 g    SHEET: 1 OF 1