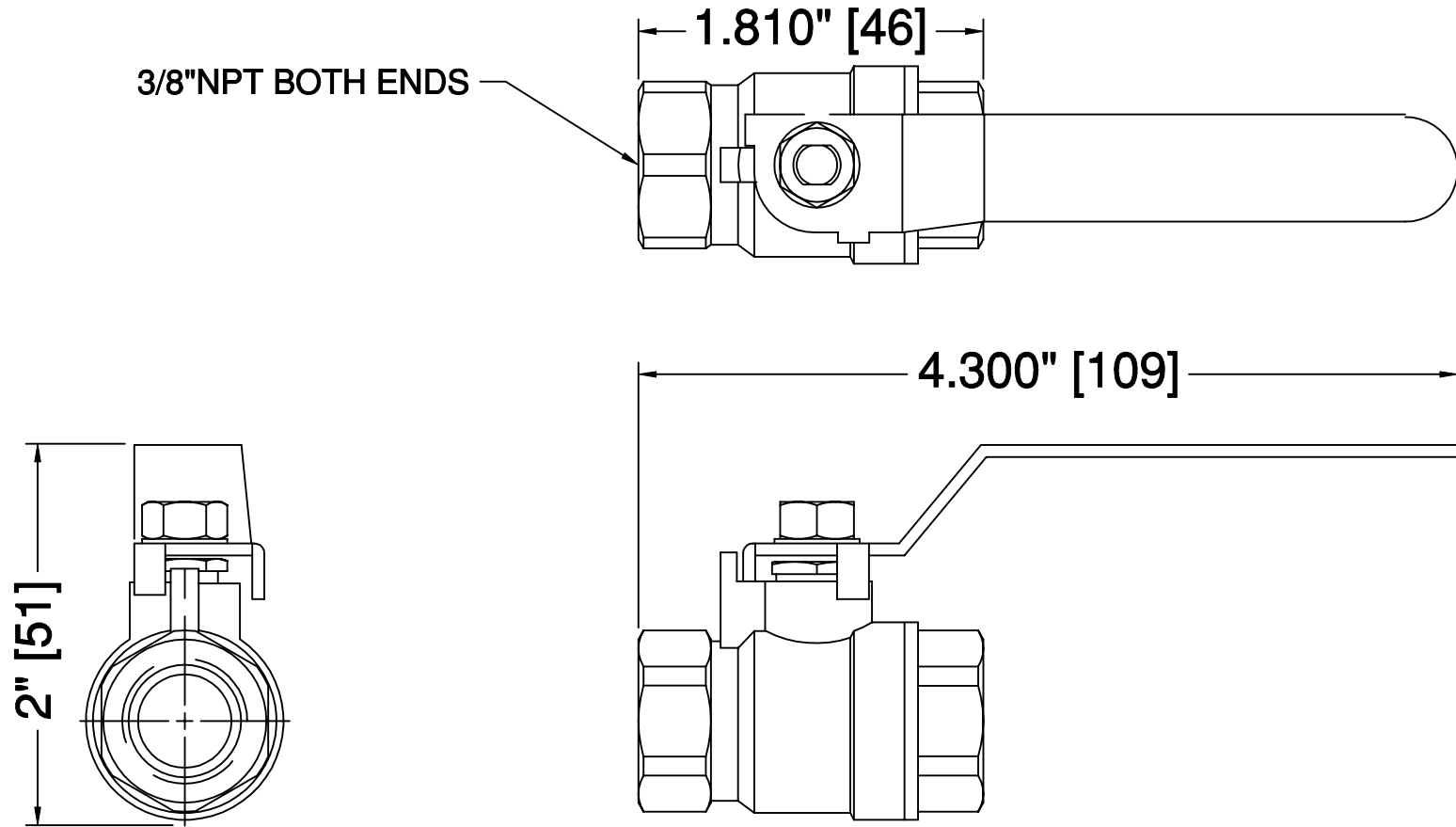



REVISIONS			
REV	DESCRIPTION	DATE (YR-MO-DA)	APPROVED



MAXIMUM 600 PSI AIR PRESSURE
MATERIAL: BRASS BODY/ TEFLON SEAL
STAINLESS STEEL HANDLE AND BALL
SCHEDULE 40, 150 LBS STEAM TEST
SPECIFICATION: ANSI B16.3
DIMENSIONS SUBJECT TO CHANGE

CONFIDENTIAL INFORMATION CONTAINED HEREIN IS CONFIDENTIAL, IT IS THE PROPERTY OF AIRCHIME MFG. CO. LTD., IT IS TO BE USED SOLELY FOR THE PURPOSE PROVIDED, AND IT IS NOT TO BE DISCLOSED TO OTHERS WITHOUT THE PRIOR WRITTEN CONSENT OF AIRCHIME MANUFACTURING COMPANY LIMITED. © CopyRight Airchime Mfg. Co. Ltd.	UNLESS OTHERWISE SPECIFIED DIMENSIONS ARE IN INCHES [MILLIMETERS ARE IN BRACKETS] TOLERANCES ARE: METRIC [±.04mm] FRACTIONS DECIMALS ANGLES 1/16" .X ±.01" 15° .XX ±.005" .XX ±.002"		 AIRCHIME MANUFACTURING CO. LTD. LANGLEY, B.C. CANADA V4W 3S8	
	DRAWN BY: <i>D. L. B.</i>	DATE (YR-MO-DA) 2001-05-04		BALL VALVE, 3/8" NPT ASSEMBLY AND DIMENSION
	CHECKER: <i>D. F.</i>	APPROVED: <i>L. M. J.</i>	SIZE TYPE: A ASSEMBLY	
	FINISH: UNLESS 125 OTHERWISE SPECIFIED		SCALE: NONE	UNIT WT: 750 g