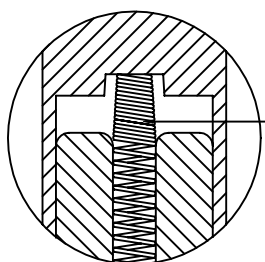
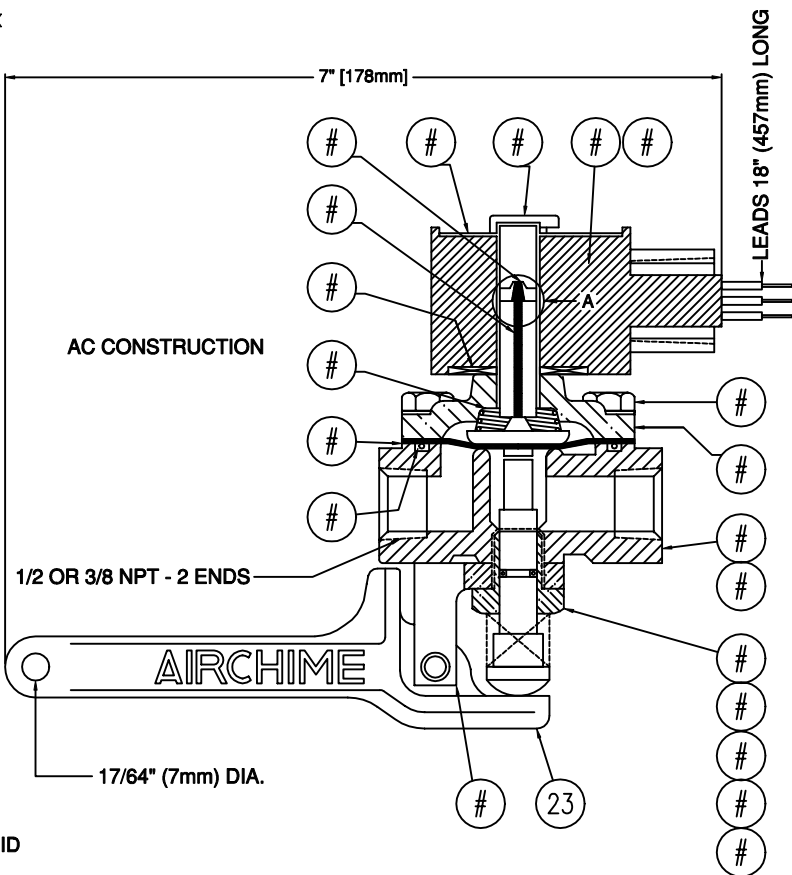
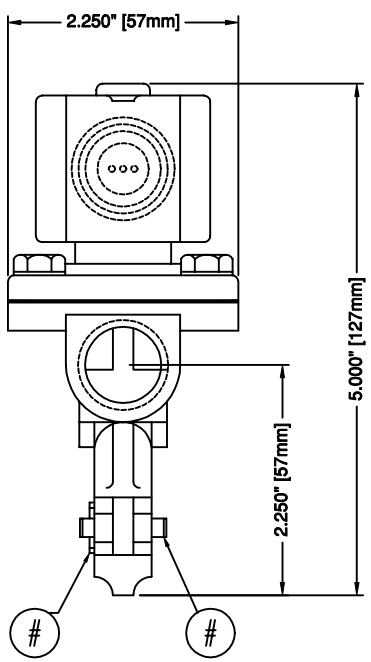


REVISIONS			
REV	DESCRIPTION	DATE (YY-MM-DD)	APPROVE



REF. 6 - INSTALL SPRING WITH TIGHT CONICAL END UP AS SHOWN

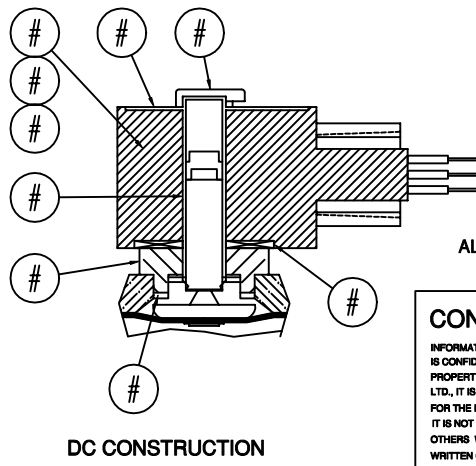
SECTION A, SCALE 5X



EXPLOSION PROOF AND WATERTIGHT SOLENOID
 MAXIMUM OPERATING PRESSURE - 200 PSI
 PRESSURE DIFFERENTIAL - 5 PSI MINIMUM
 CV FLOW FACTOR 3 (FOR 3/8 VALVE) FACTOR 4 (FOR 1/2 VALVE)
 ELECTRICAL VALUES APPLY TO BOTH 3/8 AND 1/2 VALVES

STATE PART NUMBER WHEN ORDERING COMBINATION VALVE

PART	MODEL	DESCRIPTION	VOLTAGE
10990	VC-3/8-120VAC	COMBINATION VALVE ASSEMBLY - 3/8" NPT	120 VAC
10991	VC-3/8-240VAC	COMBINATION VALVE ASSEMBLY - 3/8" NPT	240 VAC
10992	VC-3/8-12VDC	COMBINATION VALVE ASSEMBLY - 3/8" NPT	12 VDC
10993	VC-3/8-24VDC	COMBINATION VALVE ASSEMBLY - 3/8" NPT	24 VDC
10994	VC-3/8-32VDC	COMBINATION VALVE ASSEMBLY - 3/8" NPT	32 VDC
10995	VC-1/2-120VAC	COMBINATION VALVE ASSEMBLY - 1/2" NPT	120 VAC
10996	VC-1/2-240VAC	COMBINATION VALVE ASSEMBLY - 1/2" NPT	240 VAC
10997	VC-1/2-12VDC	COMBINATION VALVE ASSEMBLY - 1/2" NPT	12 VDC
10998	VC-1/2-24VDC	COMBINATION VALVE ASSEMBLY - 1/2" NPT	24 VDC
10999	VC-1/2-32VDC	COMBINATION VALVE ASSEMBLY - 1/2" NPT	32 VDC



DET	PART	DESCRIPTION	MATERIAL	QTY.
1	11105	BODY GASKET	SYNTHETIC RUBBER	1
2	11106	DIAPHRAGM ASSEMBLY	SYNTHETIC RUBBER - STEEL	1
3	11107	DIAPHRAGM SPRING - AC	STAINLESS STEEL	1
4	10961	FINGER SPRING WASHER - AC	STAINLESS STEEL	1
5	10962	CORE ASSEMBLY - AC	STEEL / BUNA N	1
6	11862	CORE SPRING - AC (SEE NOTE)	STAINLESS STEEL	1
7	10964	NAME PLATE RETAINER - AC	STAINLESS STEEL	1
8	10948	RED CAP - AC	PLASTIC	1
9	10950	SOLENOID - 120 VAC 60 Hz	COPPER/EPOXY ASSEMBLY	1
10	10951	SOLENOID - 220 VAC 60 Hz	COPPER/EPOXY ASSEMBLY	1
11	11108	SCREW & WASHER ASSEMBLY	STEEL CAD. PLATED	4
12	11109	SOLENOID BASE SUB - ASSY - AC	FORGED BRASS	1
13	11815	VALVE BODY - 3/8 NPT	FORGED BRASS	1
14	11816	VALVE BODY - 1/2 NPT	FORGED BRASS	1
15	10711	GLAND	F.M. BRASS	1
16	10712	PLUNGER	F.M. BRASS	1
17	10713	SPRING	STAINLESS STEEL	1
18	10736	O RING	SYNTHETIC RUBBER	1
19	10737	SNAP RING	STEEL PLATED	1
20	10968	FINGER SPRING WASHER - DC	STAINLESS STEEL	1
21	11819	HINGE PIN	BRASS	1
22	11820	COTTER PIN	BRASS	1
23	11818	LEVER	CAST BRONZE	1
24	10949	RED CAP - DC	PLASTIC	1
25	11112	NAME PLATE RETAINER - DC	STAINLESS STEEL	1
26	10952	SOLENOID - 12 VDC	COPPER/EPOXY ASSEMBLY	1
27	10953	SOLENOID - 24 VDC	COPPER/EPOXY ASSEMBLY	1
28	10954	SOLENOID - 32 VDC	COPPER/EPOXY ASSEMBLY	1
29	10963	CORE ASSEMBLY - DC	STEEL / BUNA N	1
30	10967	SOLENOID BASE SUB - ASSY - DC	FORGED BRASS	1
31	11841	O RING	SYNTHETIC RUBBER	1
32	11817	BRACKET	ALUMINUM	1

REBUILD KITS PART NUMBER 10965 FOR AC VOLTAGE AND PART NUMBER 10977 FOR DC VOLTAGE INCLUDE ALL PARTS AS INDICATED . REBUILD KITS ARE SUITABLE FOR BOTH THE 3/8"AND 1/2" NPT VALVES

CLASS " F " COIL RATING			
WATT RATING & POWER CONSUMPTION			
DC WATTS	AC 60 Hz		
	WATTS	V.A. HOLDING	V.A. INRUSH
11.6	6.1	16	40

ALL DIMENSIONS ARE FOR REFERENCE ONLY, UNLESS OTHERWISE SPECIFIED

CONFIDENTIAL INFORMATION CONTAINED HEREIN IS CONFIDENTIAL. IT IS THE PROPERTY OF AIRCHIME MFG. CO. LTD., IT IS TO BE USED SOLELY FOR THE PURPOSE PROVIDED, AND IT IS NOT TO BE DISCLOSED TO OTHERS WITHOUT THE PRIOR WRITTEN CONSENT OF AIRCHIME MANUFACTURING COMPANY LIMITED.	CUSTOMER:	AIRCHIME MANUFACTURING CO. LTD. LANGLEY, B.C. CANADA V4W 3S8	
	CONTRACT NUMBER:		
	DRAWN BY: L.S.F.	DATE (YY-MM-DD) 99-01-16	3/8" AND 1/2" NPT PORTS SOLENOID & MANUAL OVERRIDE COMBINATION VALVES
	CHECKER: L.S.F.	APPROVED: L.S.F.	DRAWING SIZE: A DRAWING NUMBER: 10987
DWG TYPE: ASSEMBLY	SCALE: NONE	UNIT WT:	
© CopyRight Airchime Mfg. Co. Ltd.		SHEET: 1 OF 1	