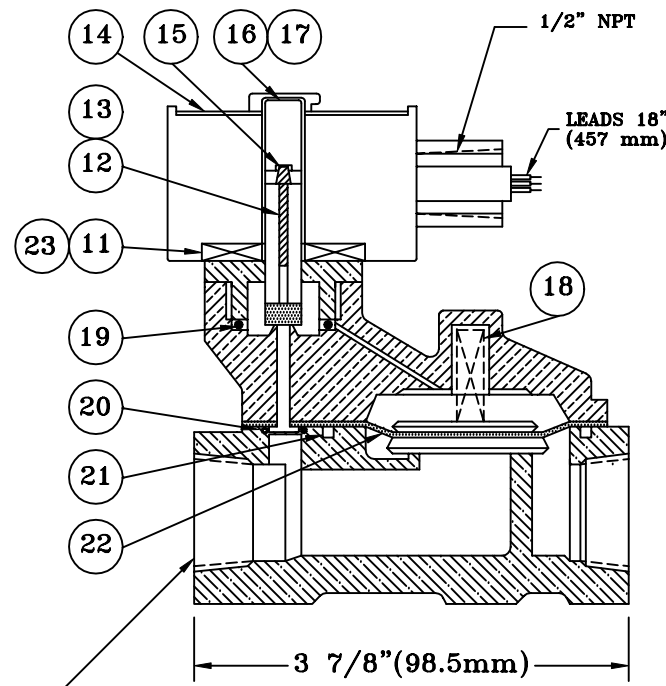
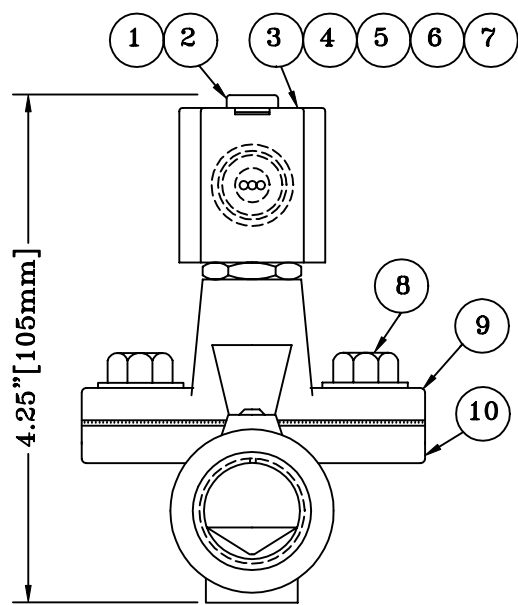
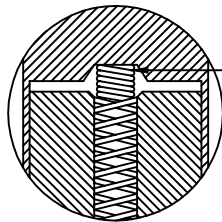


REVISIONS				
ZONE	REV	DESCRIPTION	DATE	APPROVED



3/4" NPT BOTH ENDS

EXPLOSION PROOF AND WATERTIGHT SOLENOID
 MAXIMUM OPERATING PRESSURE-200 PSI
 PRESSURE DIFFERENTIAL- 5 PSI MINIMUM



REF. 18 - INSTALL SPRING WITH
 TIGHT CONICAL END UP AS SHOWN

REF	PART	DESCRIPTION	MATERIAL	QTY	
*	1	10948	RED CAP AC	PLASTIC	1
*	2	10949	RED CAP DC	PLASTIC	1
	3	10950	SOLENOID 120 VAC 60 Hz	COPPER WIRE/EPOXY	1
	4	10951	SOLENOID 220 VAC 60 Hz	COPPER WIRE/EPOXY	1
	5	10952	SOLENOID 12 VDC	COPPER WIRE/EPOXY	1
	6	10953	SOLENOID 24 VDC	COPPER WIRE/EPOXY	1
	7	10954	SOLENOID 32 VDC	COPPER WIRE/EPOXY	1
	8	11842	SREW & WASHER AC	STEEL PLATED	4
	9	11844	BONNET	BRASS	1
	10	11849	VALVE BODY	BRASS	1
	11	10961	FINGER SPRING WASHER AC	STAINLESS STEEL	1
*	12	10962	CORE ASSEMBLY AC	STEEL / BUNA N	1
*	13	10963	CORE ASSEMBLY DC	STEEL / BUNA N	1
	14	10964	NAME PLATE RETAINER	STAINLESS STEEL	1
	15	11862	CORE SPRING - AC (SEE NOTE)	STEEL	1
	16	10966	SOLENOID BASE SUB-ASSY.-AC	STEEL / BRASS	1
	17	10967	SOLENOID BASE SUB-ASSY.-DC	STEEL / BRASS	1
*	18	11845	DIAPHRAGM SPRING	STEEL	1
*	19	11841	O RING-SOLENOID BASE	SYNTHETIC RUBBER	1
*	20	11848	GASKET-AIR PASSAGE	SYNTHETIC RUBBER	1
*	21	11847	GASKET-VALVE BODY	SYNTHETIC RUBBER	1
*	22	11846	DIAPHRAGM	SYNTHETIC RUBBER	1
	23	10968	FINGER SPRING WASHER DC	STAINLESS STEEL	1

REBUILD KIT PART 10956-AC AND 10957-DC
 INCLUDE ALL PARTS AS INDICATED IN *

MODEL	DESCRIPTION	VOLTAGE
10914	3/4" SOLENOID VALVE	120 VAC (EF8210G3)
10915	3/4" SOLENOID VALVE	220 VAC
10916	3/4" SOLENOID VALVE	12 VDC
10917	3/4" SOLENOID VALVE	24 VDC
10918	3/4" SOLENOID VALVE	32 VDC

CLASS "F" COIL RATING			
WATT RATING AND POWER CONSUMPTION			
DC WATTS	AC 60 Hz		
	WATTS	V.A. HOLDING	V.A. INRUSH
11.6	6.1	16	40

CONTRACT NUMBER		AIRCHIME MANUFACTURING CO. LTD. LANGLEY, B.C. CANADA V4W 3S8	
CONTRACTOR:			
DRAWN BY: L.M.F.		DWG. NAME: 3/4" NPT SOLENOID VALVES	
DATE:(YR-MO-DA) 94-10-18		SIZE B	NSCM 36575
CHECKER: B.W.C.		ENGINEER	DWG NO. 10986
DESIGN APPROVAL		SCALE: NONE	UNIT WT: SHEET: 1 OF 1