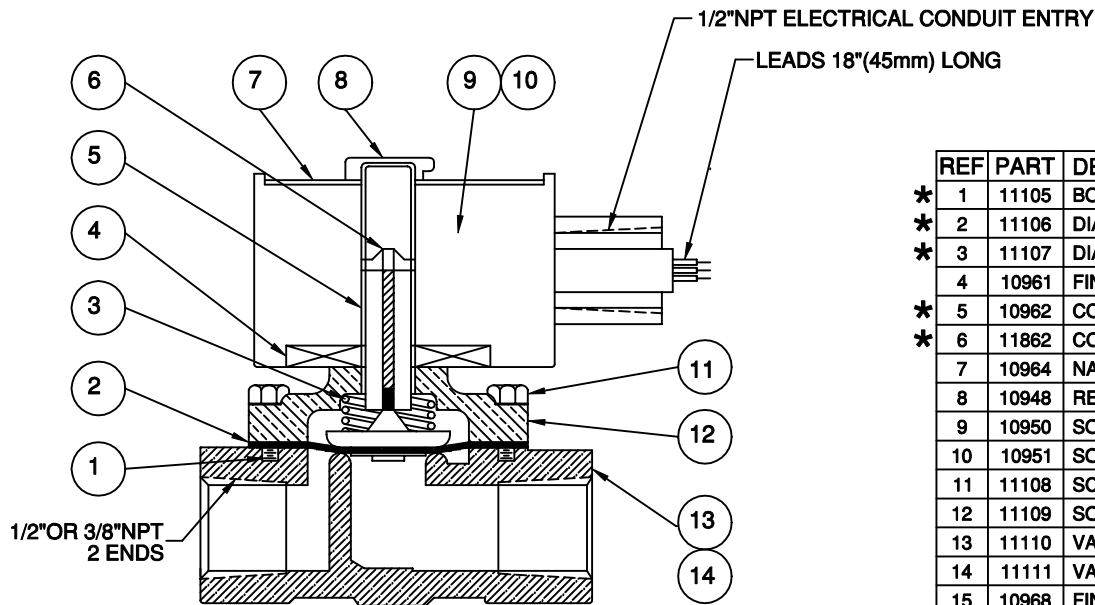
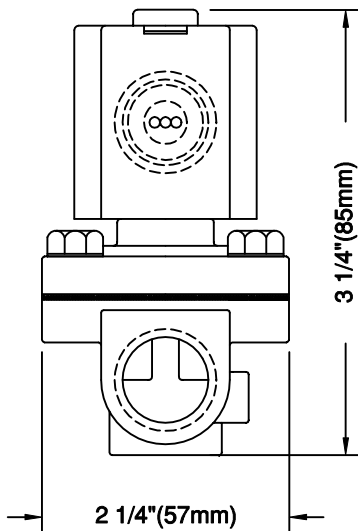


CLASS "F" COIL RATING			
WATT RATING AND POWER CONSUMPTION			
DC WATTS	AC 60 Hz		
	WATTS	V.A. HOLDING	V.A. INRUSH
11.6	6.1	16	40



AC CONSTRUCTION

REVISIONS				
ZONE	REV	DESCRIPTION	DATE	APPROVED

REF	PART	DESCRIPTION	MATERIAL	QTY.
* 1	11105	BODY GASKET	SYNTHETIC RUBBER	1
* 2	11106	DIAPHRAGM ASSEMBLY	SYN. RUBBER/STEEL	1
* 3	11107	DIAPHRAGM SPRING - AC	STEEL	1
4	10961	FINGER SPRING - AC	STAINLESS STEEL	1
* 5	10962	CORE ASSEMBLY - AC	STEEL / BUNA N	1
* 6	11862	CORE SPRING - AC (SEE NOTE)	STEEL	1
7	10964	NAME PLATE RETAINER - AC	STAINLESS STEEL	1
8	10948	RED CAP - AC	PLASTIC	1
9	10950	SOLENOID - 120VAC 60Hz	COPPER WIRE/EPOXY	1
10	10951	SOLENOID - 220VAC 60Hz	COPPER WIRE/EPOXY	1
11	11108	SCREW & WASHER ASSEMBLY	PLATED STEEL	1
12	11109	SOLENOID BASE SUB-ASSY.- AC	BRASS / STEEL	1
13	11110	VALVE BODY - 3/8" NPT	BRASS	1
14	11111	VALVE BODY - 1/2" NPT	BRASS	1
15	10968	FINGER SPRING WASHER - DC	STAINLESS STEEL	1
16	10949	RED CAP - DC	PLASTIC	1
17	11112	NAME PLATE RETAINER - DC	STAINLESS STEEL	1
18	10952	SOLENOID - 12 VDC	COPPER WIRE/EPOXY	1
19	10953	SOLENOID - 24 VDC	COPPER WIRE/EPOXY	1
20	10954	SOLENOID - 32 VDC	COPPER WIRE/EPOXY	1
* 21	10963	CORE ASSEMBLY - DC	STEEL / BUNA N	1
* 22	10967	SOLENOID BASE SUB-ASSY.-DC	BRASS / STEEL	1
* 23	11841	O-RING	SYNTHETIC RUBBER	1

REF. 6 - INSTALL SPRING WITH TIGHT CONICAL END UP AS SHOWN

REBUILD KIT PART 10965-AC AND 10977-DC INCLUDE ALL PARTS AS INDICATED IN *

KITS ARE SUITABLE FOR BOTH THE 3/8" AND 1/2"NPT VALVES.

EXPLOSION PROOF AND WATERTIGHT SOLENOID

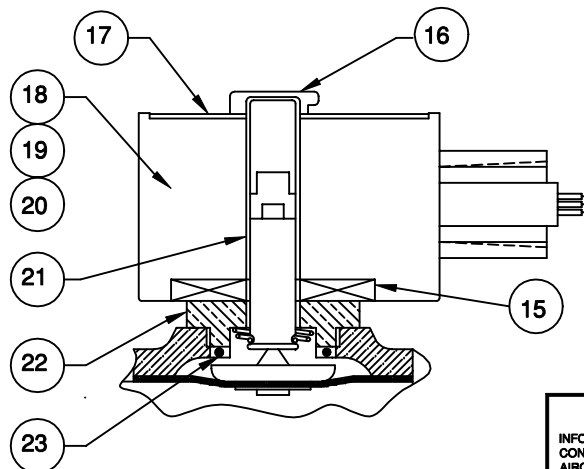
MAXIMUM OPERATING PRESSURE-200 PSI

PRESSURE DIFFERENTIAL- 5 PSI MINIMUM

CV FLOW FACTOR 3 (FOR 3/8 VALVE), FACTOR 4 (FOR 1/2 VALVE)


ELECTRICAL VALUES APPLY TO BOTH 3/8 AND 1/2" VALVES

MODEL	DESCRIPTION	VOLTAGE
10936	3/8" SOLENOID VALVE	24 VAC
10905	3/8" SOLENOID VALVE	240 VAC (EF8210G1)
10906	3/8" SOLENOID VALVE	120 VAC (EF8210G1)
10907	3/8" SOLENOID VALVE	12 VDC
10908	3/8" SOLENOID VALVE	24 VDC
10909	3/8" SOLENOID VALVE	32 VDC
10910	1/2" SOLENOID VALVE	120VAC (EF8210G1)
10911	1/2" SOLENOID VALVE	12 VDC
10912	1/2" SOLENOID VALVE	24 VDC
10913	1/2" SOLENOID VALVE	32 VDC
10946	1/2" SOLENOID VALVE	240 VAC



DC CONSTRUCTION

SIMILAR VALVE BODY FOR BOTH AC & DC

CONFIDENTIAL INFORMATION CONTAINED HEREIN IS CONFIDENTIAL; IT IS THE PROPERTY OF AIRCHIME MFG. CO. LTD. IT IS TO BE USED SOLELY FOR THE PURPOSE PROVIDED AND IT IS NOT TO BE DISCLOSED TO OTHERS WITHOUT THE PRIOR WRITTEN CONSENT OF AIRCHIME MANUFACTURING COMPANY LIMITED.		CONTRACT NUMBER: CONTRACTOR: DRAWN BY: <i>L.H.F.</i> CHECKED: <i>D.W.C.</i> SCALE: NONE	DATE: 1994-10-18 APPROVED: <i>L.H.F.</i> WEIGHT: N/A	 AIRCHIME MANUFACTURING CO. LTD. LANGLEY, B.C. CANADA V4W 3S8 3/8" & 1/2" NPT SOLENOID VALVES 10985 DRAWING TYPE: ASSEMBLY SHEET: 1 OF 1
---	--	--	---	--