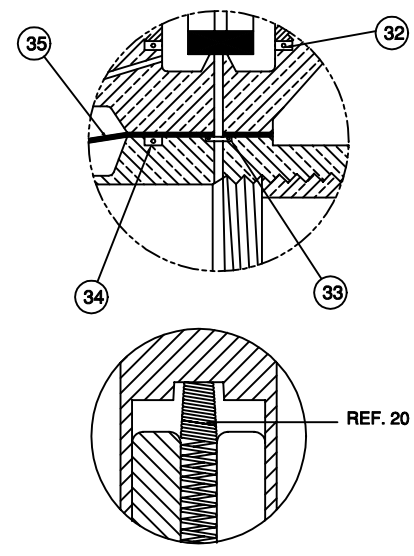
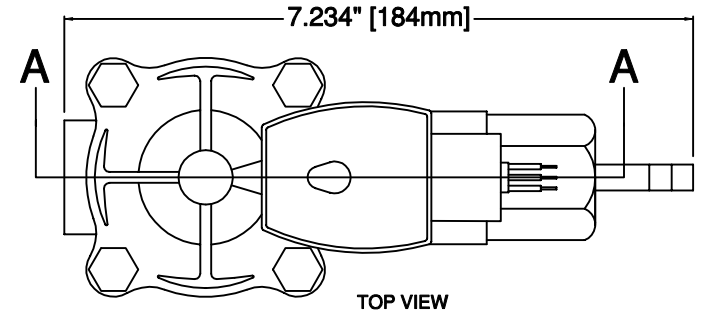
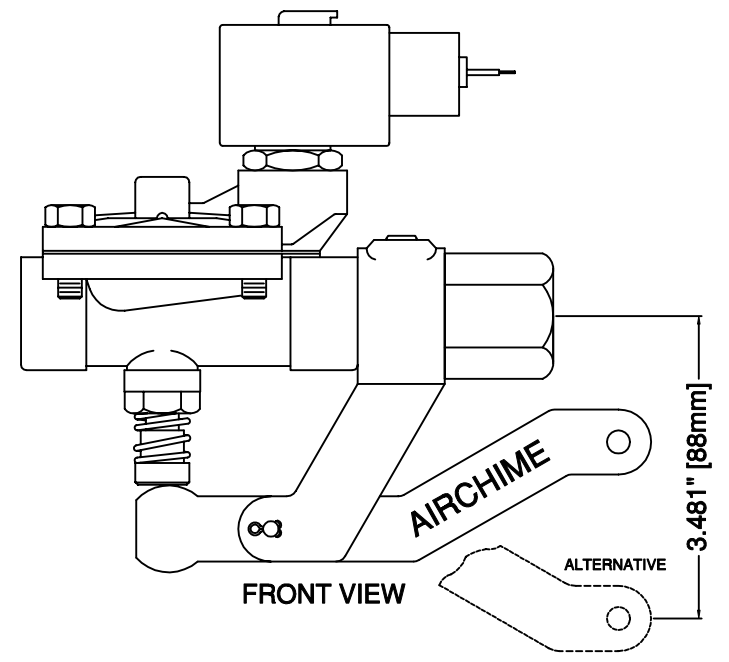
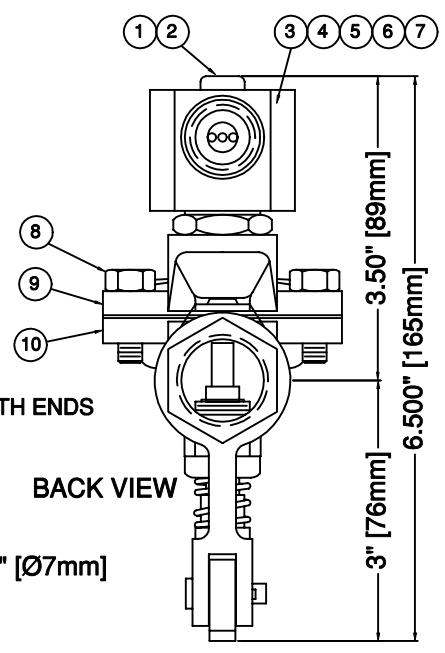
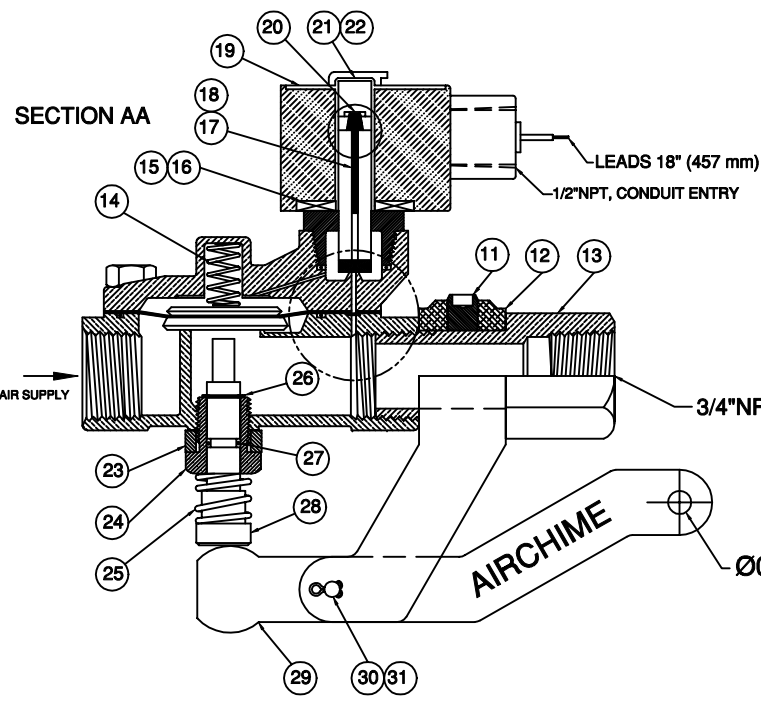


REVISIONS			
REV	DESCRIPTION	DATE (YR-MO-DA)	APPROVED



REF. 20 - INSTALL SPRING WITH TIGHT CONICAL END UP AS SHOWN

REF.	PART	DESCRIPTION	MATERIAL	SPECIFICATIONS	QTY.
1	10948	RED CAP AC	PLASTIC	POLYETHYLENE	1
2	10949	RED CAP DC	PLASTIC	POLYETHYLENE	1
3	10950	SOLENOID 120 VAC 60 Hz	ASSEMBLY	UL Y10Z (FILE MP-618)	1
4	10951	SOLENOID 220 VAC 60 Hz	ASSEMBLY	UL Y10Z (FILE MP-618)	1
5	10952	SOLENOID 12 VDC	ASSEMBLY	UL Y10Z (FILE MP-618)	1
6	10953	SOLENOID 24 VDC	ASSEMBLY	UL Y10Z (FILE MP-618)	1
7	10954	SOLENOID 32 VDC	ASSEMBLY	UL Y10Z (FILE MP-618)	1
8	11842	SCREW & WASHER ASSEMBLY	STEEL PLATED	ANSI B18.6	4
9	11844	BONNET	FORGED BRASS	ASTM B16	1
10	11849	VALVE BODY	FORGED BRASS	ASTM B16	1
11	10732	SET SCREW	STAINLESS STEEL	ASA B18.6	1
12	10728	FULCRUM	BRONZE	BRONZE	1
13	10727	ADAPTER	BRASS	BRASS	1
14	11845	DIAPHRAGM SPRING	STEEL	STEEL	1
15	10961	FINGER SPRING WASHER AC	STAINLESS STEEL	UNS S30400	1
16	10968	FINGER SPRING WASHER DC	STAINLESS STEEL	UNS S30400	1
17	10962	CORE ASSEMBLY AC	STEEL / BUNA N	ASSEMBLY	1
18	10963	CORE ASSEMBLY DC	STEEL / BUNA N	ASSEMBLY	1
19	10964	NAME PLATE RETAINER	STAINLESS STEEL	UNS S30400	1
20	11862	CORE SPRING AC (SEE NOTE)	SPRING STEEL	COMMERCIAL	1
21	10966	SOLENOID BASE SUB - ASSY. - AC	STEEL / BRASS	ASSEMBLY	1
22	10967	SOLENOID BASE SUB - ASSY. - DC	STEEL / BRASS	ASSEMBLY	1
23	11850	SPACER	F.M. BRASS	ASTM B16	1
24	10711	GLAND	F.M. BRASS	ASTM B16	1
25	10713	SPRING	STAINLESS STEEL	ASTM A313	1
26	10737	SNAP RING	STEEL	MS16633	1
27	10736	O RING	BUNA N	MS 417 SB	1
28	10734	STEM	F.M. BRASS	ASTM B16	1
29	10740	LEVER	BRONZE	UNS C83600	1
30	10730	LEVER PIN	BRASS	BRASS	1
31	10731	COTTER PIN	BRASS	BRASS	1
32	11841	O RING - SOLENOID BASE	SYNTHETIC RUBBER	MS R-003065-A	1
33	11848	GASKET - AIR PASSAGE	SYNTHETIC RUBBER	MS R-003065-A	1
34	11847	GASKET - VALVE BODY	SYNTHETIC RUBBER	MS R-003065-A	1
35	11846	DIAPHRAGM ASSEMBLY	NEOPRENE/BRASS	ASSEMBLY	1

REBUILD KITS PART NUMBER 10956 FOR AC VOLTAGE AND PART NUMBER 10957 FOR DC VOLTAGE KITS INCLUDE ALL PARTS AS INDICATED WITH ◦

CLASS " F " COIL RATING			
WATT RATING & POWER CONSUMPTION			
DC WATTS	AC 60 Hz		
	WATTS	V.A. HOLDING	V.A. INRUSH
11.6	6.1	16	40

EXPLOSION PROOF AND WATERTIGHT SOLENOID
 MAXIMUM OPERATING PRESSURE - 250 PSI
 PRESSURE DIFFERENTIAL - 5 PSI MINIMUM

PART	MODEL	DESCRIPTION	VOLTAGE
10970	VC-3/4-120VAC	COMBINATION VALVE ASSEMBLY	120 VAC
10971	VC-3/4-240VAC	COMBINATION VALVE ASSEMBLY	240 VAC
10972	VC-3/4-12VDC	COMBINATION VALVE ASSEMBLY	12 VDC
10973	VC-3/4-24VDC	COMBINATION VALVE ASSEMBLY	24 VDC
10974	VC-3/4-32VDC	COMBINATION VALVE ASSEMBLY	32 VDC

PLEASE STATE PART NUMBER WHEN ORDERING

CONFIDENTIAL
 INFORMATION CONTAINED HEREIN IS CONFIDENTIAL, IT IS THE PROPERTY OF AIRCHIME MFG. CO. LTD. IT IS TO BE USED SOLELY FOR THE PURPOSE PROVIDED, AND IT IS NOT TO BE DISCLOSED TO OTHERS WITHOUT THE PRIOR WRITTEN CONSENT OF AIRCHIME MANUFACTURING COMPANY LIMITED.
 © Copyright Airchime Mfg. Co. Ltd.

CUSTOMER:
 CONTRACT NUMBER:
 DRAWN BY: L.S.F.
 DATE (YR-MO-DA): 99-01-16
 CHECKER: B.S.F.
 APPROVED: L.S.F.
 DWG TYPE: ASSEMBLY / COMPOSITE

AIRCHIME MANUFACTURING CO. LTD.
 LANGLEY, B.C. CANADA
 V4W 3S8

3/4"NPT VALVE ASSEMBLY AND DIMENSIONS
 SOLENOID & MANUAL OVERRIDE COMBINATION VALVES

DRAWING SIZE: **A**
 DRAWING NUMBER: **10969**

SCALE: NONE UNIT WT: 2.2 KG SHEET: 1 OF 1