

CLASS "F" COIL RATING

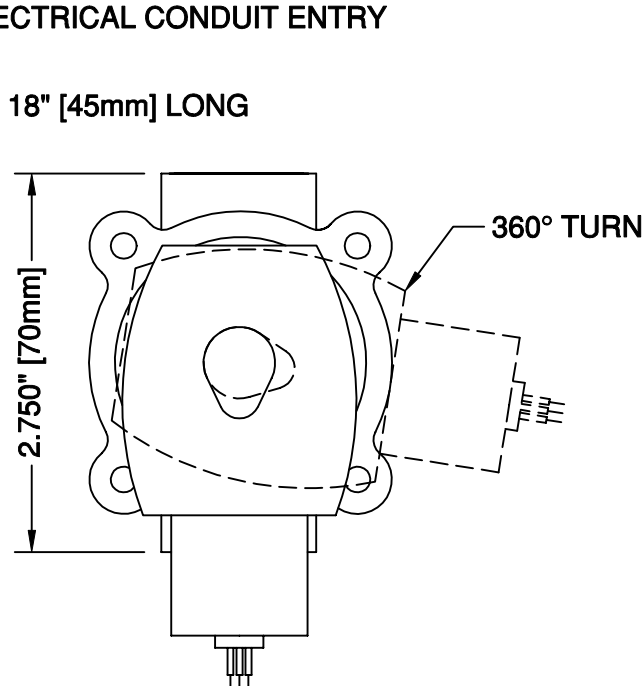
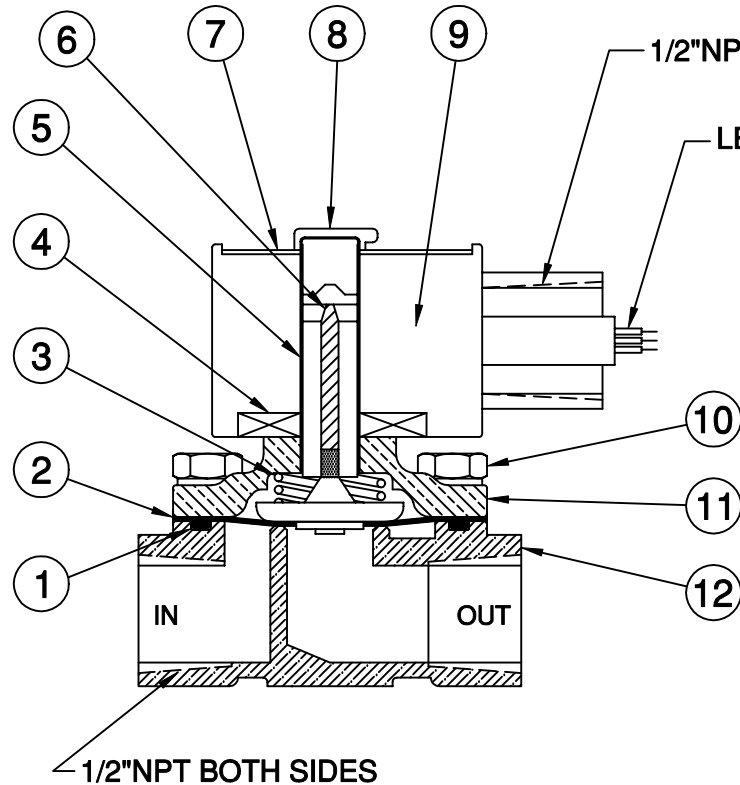
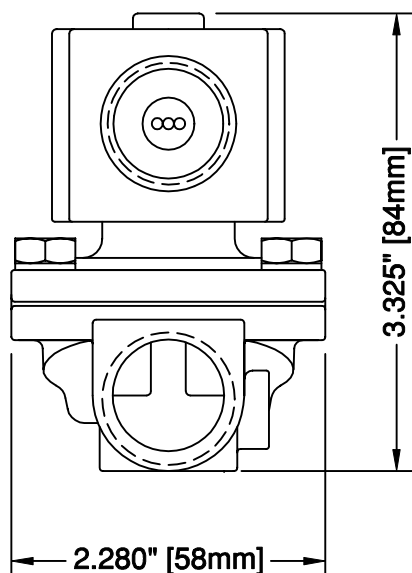
WATT RATING AND POWER CONSUMPTION

AC 60 Hz

WATTS	V.A. HOLDING	V.A. INRUSH
6.1	16	40


**FOR USE IN HAZARDOUS LOCATION
CLASS 1 DIV.1 , GROUP A, B, C AND D
TEMPERATURE CLASS T3B, 165°C**

REVISIONS			
REV	DESCRIPTION	DATE (YR-MO-DA)	APPROVED



REF	PART	DESCRIPTION	MATERIAL	QTY.	
*	1	11105	BODY GASKET	SYNTHETIC RUBBER	1
*	2	11106	DIAPHRAGM ASSEMBLY	SYN. RUBBER/STEEL	1
*	3	11107	DIAPHRAGM SPRING - AC	STEEL	1
*	4	10961	FINGER SPRING - AC	STAINLESS STEEL	1
*	5	10962	CORE ASSEMBLY - AC	STEEL / BUNA N	1
*	6	11862	CORE SPRING - AC (SEE NOTE)	STEEL	1
*	7	10964	NAME PLATE RETAINER - AC	STAINLESS STEEL	1
*	8	10948	RED CAP - AC	PLASTIC	1
*	9	10951	SOLENOID - 240VAC 60Hz	COPPER WIRE/EPOXY	1
*	10	11108	SCREW & WASHER ASSEMBLY	PLATED STEEL	1
*	11	11109	SOLENOID BASE SUB-ASSY.- AC	BRASS / STEEL	1
*	12	11111	VALVE BODY - 1/2" NPT	BRASS	1

EXPLOSION PROOF AND WATERTIGHT SOLENOID
MAXIMUM OPERATING PRESSURE-200 PSI
PRESSURE DIFFERENTIAL- 5 PSI MINIMUM
CV FLOW FACTOR: 4
REF. 6 - INSTALL SPRING WITH TIGHT CONICAL END UP AS SHOWN
REBUILD KIT PART 10965-AC
INCLUDE ALL PARTS AS INDICATED IN *

<p>CONFIDENTIAL</p> <p>INFORMATION CONTAINED HEREIN IS CONFIDENTIAL; IT IS THE PROPERTY OF AIRCHIME MFG. CO. LTD. IT IS TO BE USED SOLELY FOR THE PURPOSE PROVIDED AND IT IS NOT TO BE DISCLOSED TO OTHERS WITHOUT THE PRIOR WRITTEN CONSENT OF AIRCHIME MANUFACTURING COMPANY LIMITED.</p> <p>© CopyRight Airchime Mfg. Co. Ltd.</p>	<p>CONTRACT NUMBER:</p>		 <p>AIRCHIME MANUFACTURING CO. LTD. LANGLEY, B.C. CANADA V4W 3S8</p>	
	<p>CUSTOMER:</p> <p>TERRA NOVA</p>			
	<p>DRAWN BY:</p> <p><i>D.L.B.</i></p>	<p>DATE:</p> <p>2001-07-04</p>	<p>1/2" NPT SOLENOID VALVE 240 VAC, EXPLOSION PROOF</p>	
	<p>CHECKED:</p> <p><i>D.F.</i></p>	<p>APPROVED:</p> <p><i>L.H.F.</i></p>	<p>SCALE:</p> <p>NONE</p>	<p>WEIGHT:</p> <p>N/A</p>